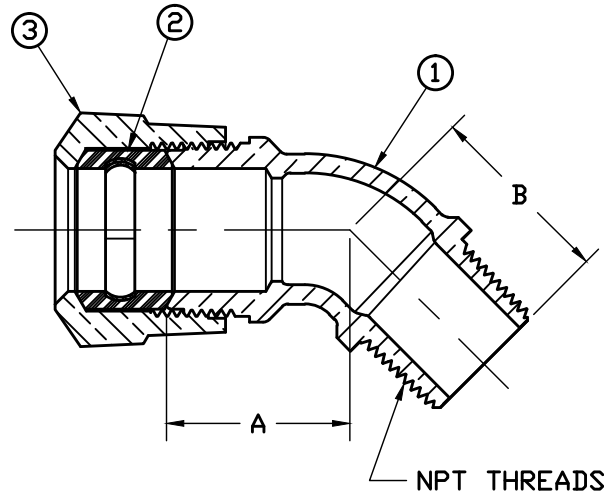


No.	DESCRIPTION	MATERIAL
1	SPUD	CAST LOW LEAD BRASS ALLOY
2	CTS GSKT	ASTM D2000(SBR)&410 STAINLESS STEEL
3	CONNX NUT	CAST BRASS ASTM B62 ALLOY C83600



SIZE	A	B
3/4	1.33	1.38
1	1.43	1.43

NOTE: ALL WETTED PARTS ARE LOW LEAD BRASS ALLOY

FILEPATH: PROD-ENG\MUELLER\ASYSUBMITTALS\H15529N

						DRFTR	RWB	12/21/09	Mueller Co.	
						CHKR				
						ENGR				
						MGR				
							BY	DATE	UNLESS OTHERWISE NOTED	
									THIRD ANGLE PROJECTION	
									SURFACE PREPARATION:	
									BREAK CORNER(S) ---- .000	
									SURFACE FINISH -- XX RMS	
									TOLERANCE(S):	
									LINEAR ----- ± .000	
									ANGULAR ----- ± 0°00'	
									STK No:	
									MAT'L:	
									DESCR.	
									EIGHTH BEND SERVICE FITTING	
									LOW LEAD BRASS (MIP x 110 CTS)	
									PART NUMBER	
									H15529N	

PER EST NO: DXXXX EST FIN WT = 0.0000 lbs

PART NUMBER
H15529N
442-MRKTNG