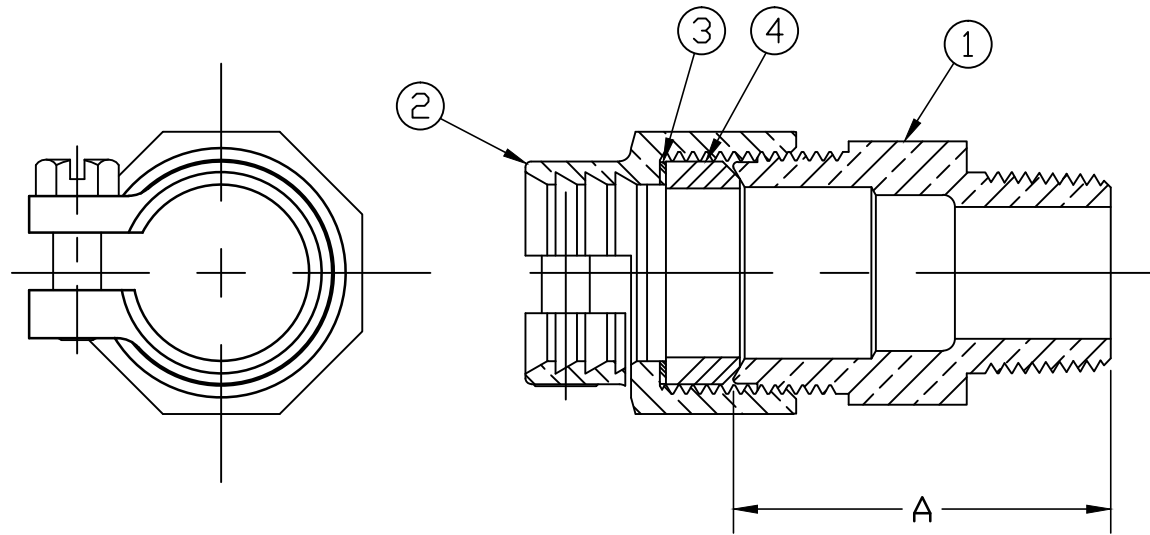



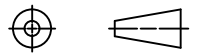
No.	DESCRIPTION	MATERIAL
1	SPUD	CAST LOW LEAD BRASS ALLOY
2	PJ CPLG NUT	CAST BRONZE ASTM B62 ALLOY C83600
3	PJ GASKET	ASTM D2000 NITRILE
4	PJ WASHER	POLYPROPYLENE



SIZE	A
3/4	1.965
3/4x1	2.125
1	2.156
1x3/4	1.976
1-1/2	2.375
1-1/2x1	2.880
2	2.625

NOTE: ALL WETTED PARTS ARE LOW LEAD BRASS ALLOY

FILEPATH: PROD-ENG\MUELLER\ASYSUBMITTALS\P15428N

						DRFTR	RWB	12/14/12			
						CHKR					
						ENGR					
						MGR					
									UNLESS OTHERWISE NOTED	THIRD ANGLE PROJECTION	
									SURFACE PREPARATION:		
									BREAK CORNER(S) ----- .000		
									SURFACE FINISH -- 000 RMS	REF. No.	SCALE
									TOLERANCE(S):		NONE
									LINEAR ----- ± .000		
									ANGULAR ----- ± 0°00'		
									STK No:		
									MAT'L:		
									DESCR.	STRAIGHT LLB SERVICE FITTING (CTS PJ x MIP)	
										DWG NUMBER	
											P15428N

TITLE TO AND OWNERSHIP OF THIS ENGINEERING DATA REMAINS IN Mueller Co. NO USE IS TO BE MADE OF THIS DATA EXCEPT AS SPECIFICALLY AUTHORIZED BY Mueller Co. ASSENT ON THE PART OF THE RECIPIENT TO THESE CONDITIONS IS PRESUMED

REV ECR DESCRIPTION DATE BY CHKR
PER EST NO: DXXXX EST FIN WT = 0.0000 lbs

DWG NUMBER
P15428N
442-MRKTG