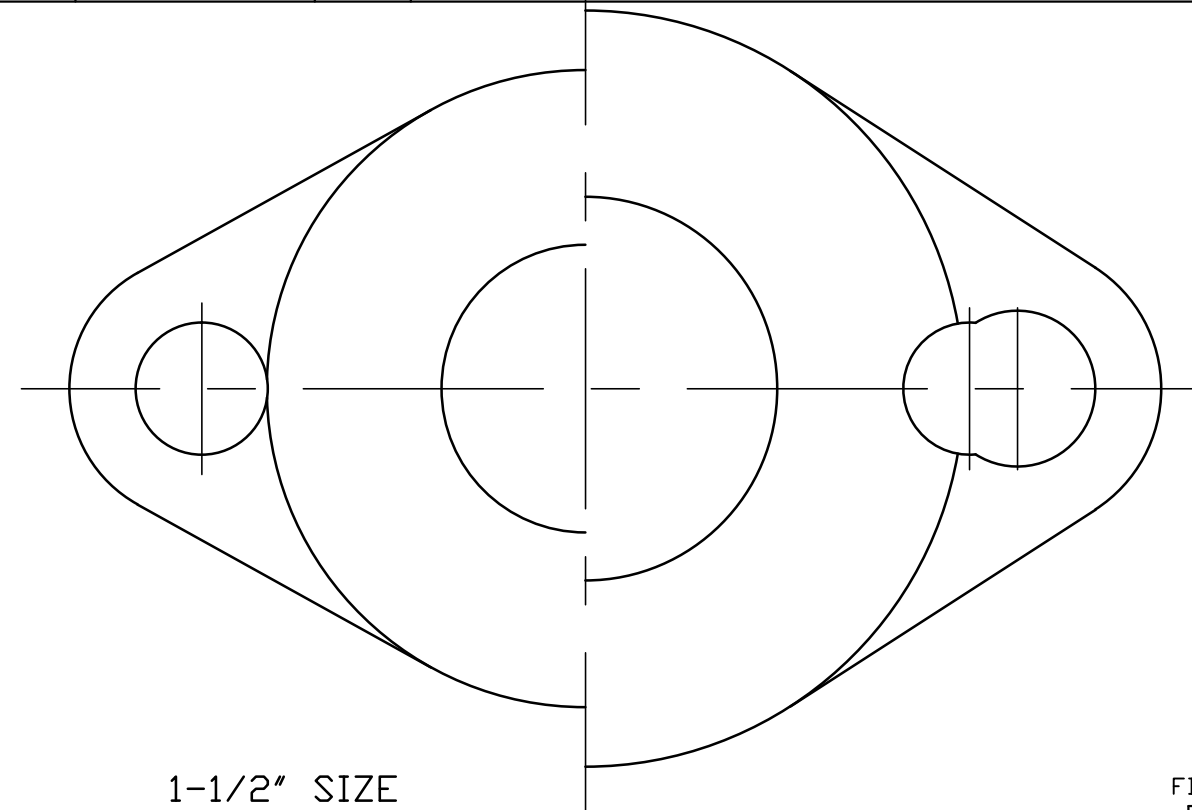


No.	DESCRIPTION	REQ'D	MATERIAL DESCRIPTION
1	BODY	1	CAST LOW LEAD BRASS ALLOY
2	CAP	1	CAST BRASS ASTM B62 ALLOY C83600
3	STEM	1	LOW LEAD BRASS ALLOY
4	BALL	1	LOW LEAD BRASS ALLOY
5	GASKET	2	NITRILE ASTM D2000
6	SOLID PIN	1	AISI 304 ANNEALED STAINLESS STEEL
7	O-RING	2	EP ASTM D2000
8	END PIECE	1	CAST LOW LEAD BRASS ALLOY
9	O-RING	1	EP ASTM D2000
10	PJ GSKT	1	BUNA-N ASTM D2000
11	PJ WASHER	1	POLYPROPYLENE
12	CLPG NUT	1	CAST BRASS ASTM B62 ALLOY C83600

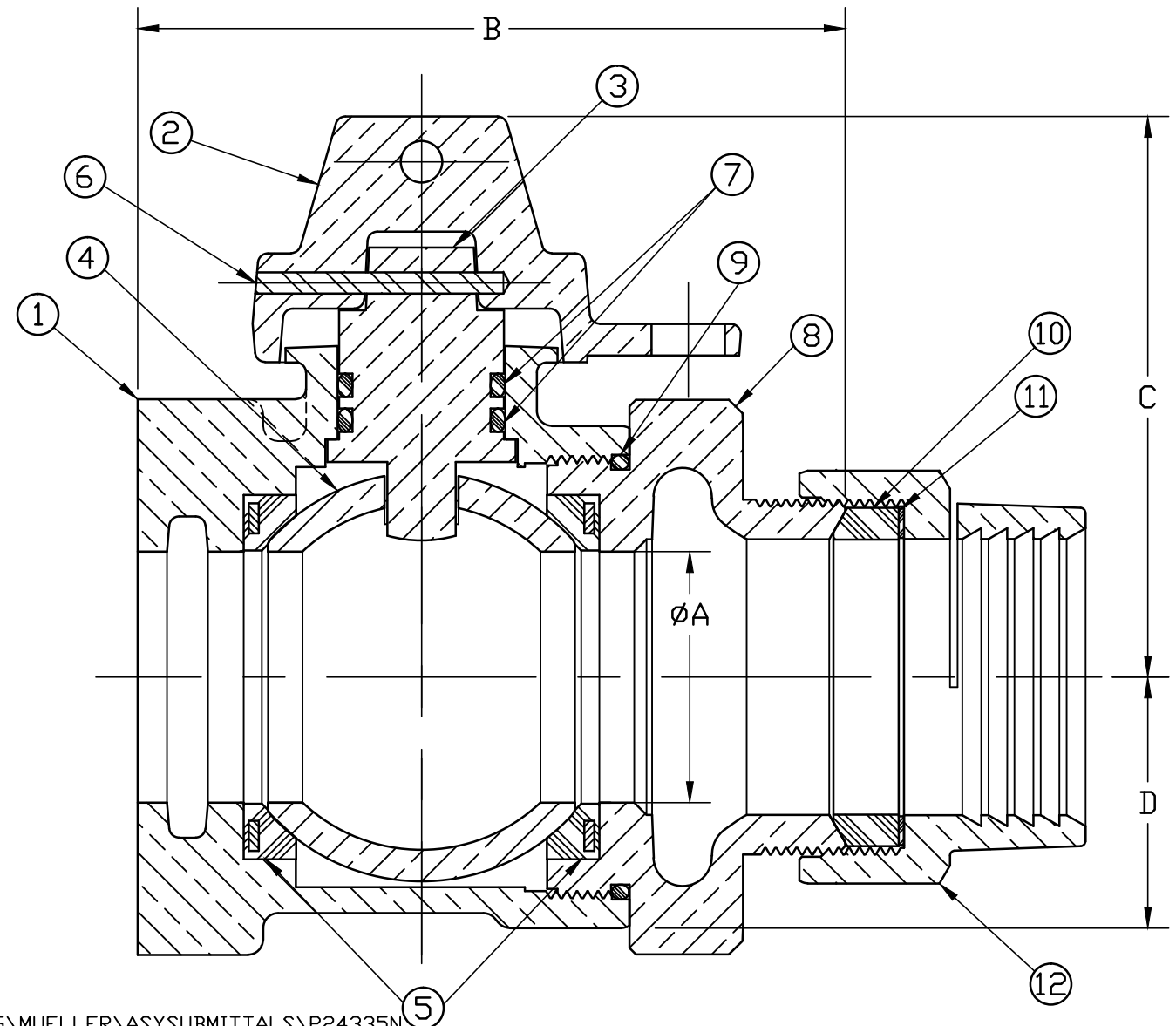
VALVE SIZE	A	B	C	D
1-1/2"	1.50	4.23	3.36	1.50
2"	2.00	5.64	3.91	1.82



1-1/2" SIZE

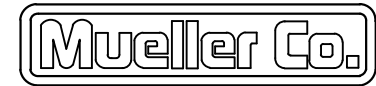
2" SIZE
(DBL DRILLED)

ALL WETTED PARTS ARE LOW LEAD BRASS ALLOY



FILEPATH: PROD-ENG\MUELLER\ASYSUBMITTALS\P24335N

DRFTR	RWB	5/21/13
CHKR		
ENGR		
MGR		
BY	DATE	
STK No:		



UNLESS OTHERWISE NOTED THIRD ANGLE PROJECTION
 SURFACE PREPARATION:
 BREAK CORNER(S) ---- .000
 SURFACE FINISH -- XX RMS
 TOLERANCE(S):
 LINEAR ----- ± .000
 ANGULAR ----- ± 0°00'

TITLE TO AND OWNERSHIP OF THIS ENGINEERING DATA REMAINS IN Mueller Co. NO USE IS TO BE MADE OF THIS DATA EXCEPT AS SPECIFICALLY AUTHORIZED BY Mueller Co. ASSENT ON THE PART OF THE RECIPIENT TO THESE CONDITIONS IS PRESUMED

REV	ECR	DESCRIPTION	DATE	BY	CHKR

MAT'L: _____
 DESCR. **INLINE BALL LLB METER VALVE**
(MTR FLG x PJ CTS)
 DWG NUMBER **P24335N**

DWG NUMBER
P24335N
 442-MRKTNG

PER EST NO: DXXXX EST FIN WT = 0.0000 lbs