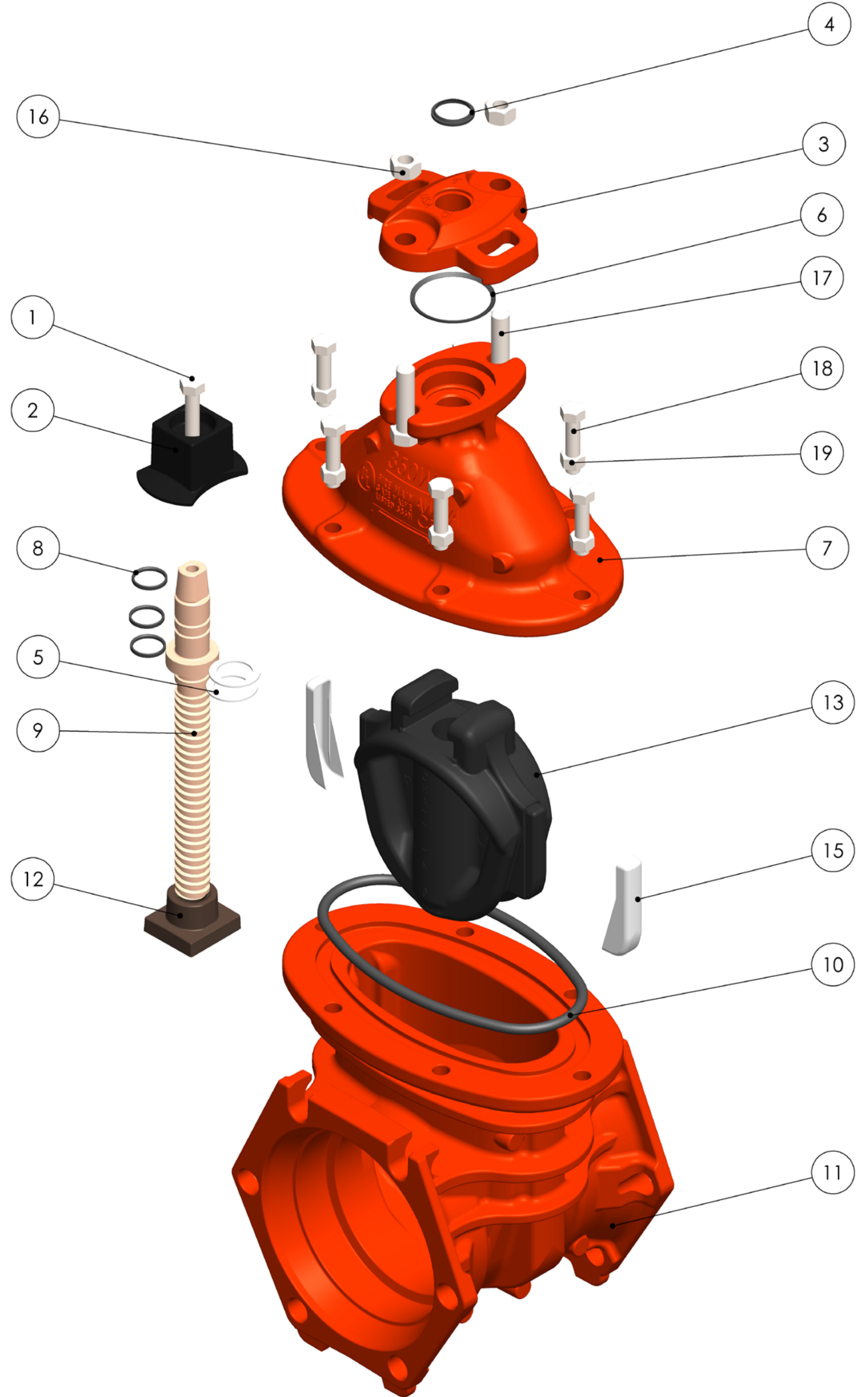
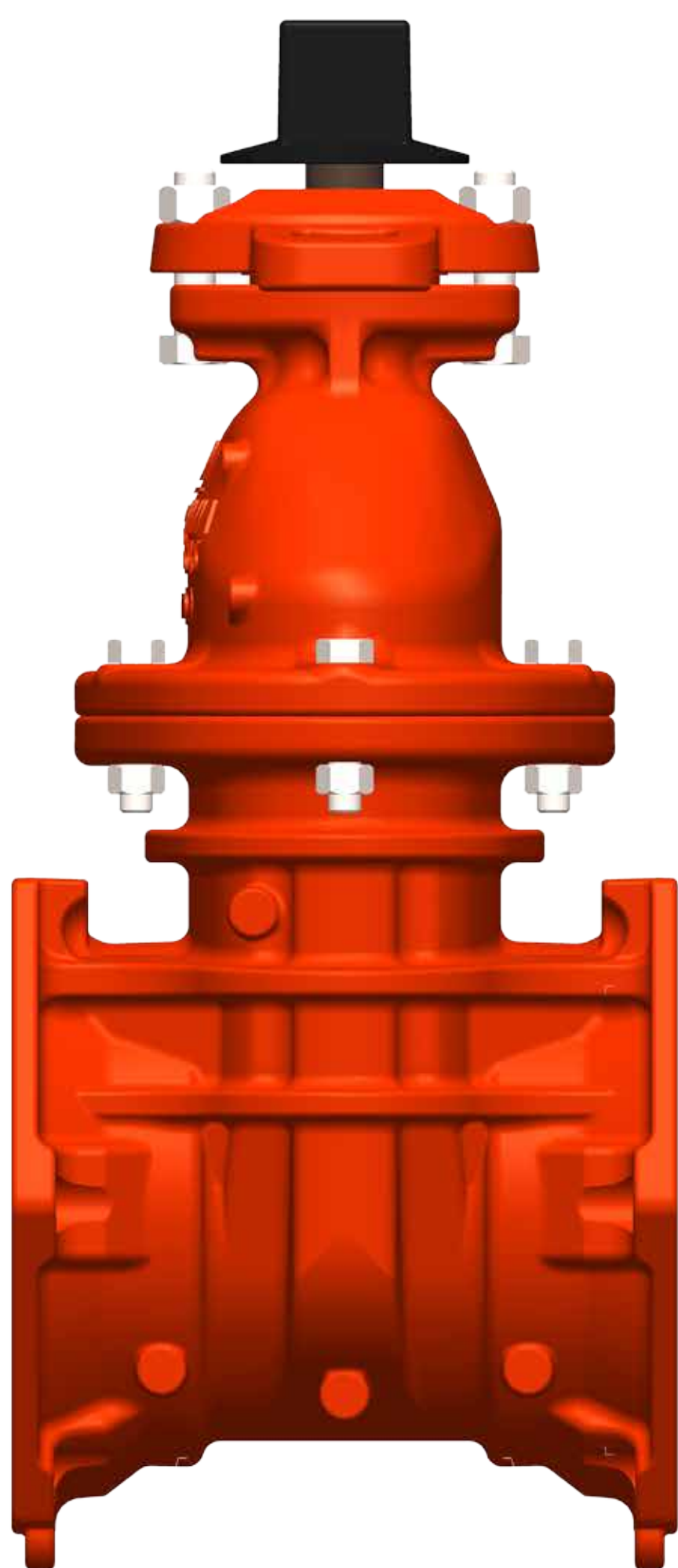
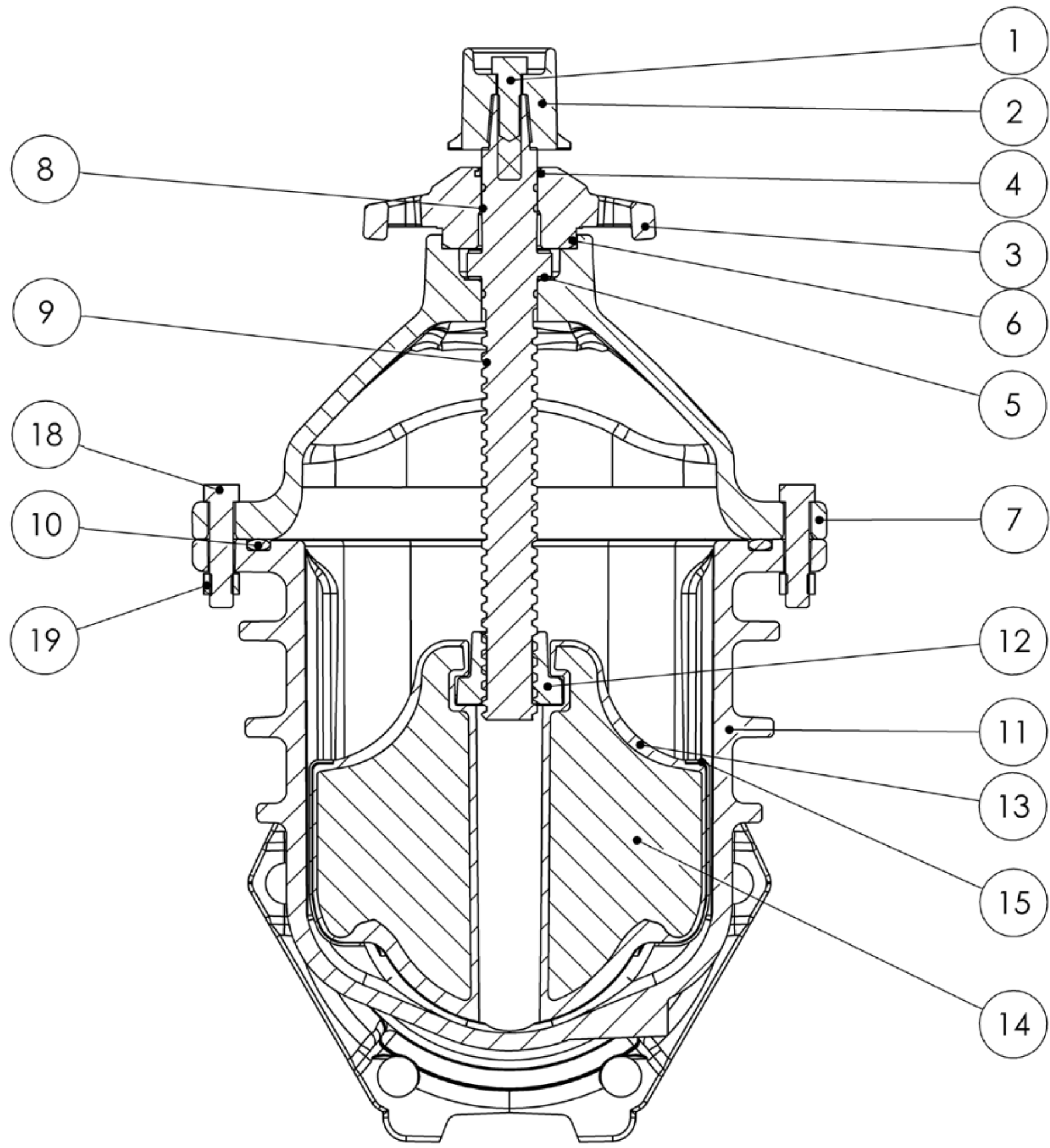


350PSI A-2361 RESILIENT WEDGE

Gate Valve Parts List



Catalog Number	Description	Quantity Per	Material
1	Cap screw	1	316 stainless steel
2	Wrench nut	1	Ductile Iron
3	Stuffing box	1	Ductile Iron
4	Wiper ring (dirt seal)	1	Acetal
5	Anti-friction washer	2	Acetal
6	Stuffing box O-ring	1	Nitrile Rubber
7	Bonnet	1	Ductile Iron
8	Stem O-ring	3	Nitrile Rubber
9	Stem	1	Bronze
10	Bonnet O-ring	1	Nitrile Rubber

Catalog Number	Description	Quantity Per	Material
11	Body - MJ ends	1	Ductile Iron
12	Stem nut	1	Bronze
13	Encapsulated wedge	1	SBR Rubber
14	Disc casting	1	Ductile Iron
15	Guide cap	2	Acetal
16	Stuffing box nuts	2	316 stainless steel
17	Stuffing box bolts	2	316 stainless steel
18	Bonnet bolts	Varies in size	316 stainless steel
19	Bonnet nuts	Varies in size	316 stainless steel

Options

EPDM encapsulated wedge & O-rings, handwheel, position indicator, and bevel gear

Optional Stem Materials

Everdur, 304 stainless steel, 316 stainless steel



Mueller Co., LLC
633 Chestnut St., Suite 1200
Chattanooga, TN 37450
www.muellercompany.com

Toll Free: 1.800.423.1323
Canada: 1.705.719.9965
moreinfo@muellercompany.com