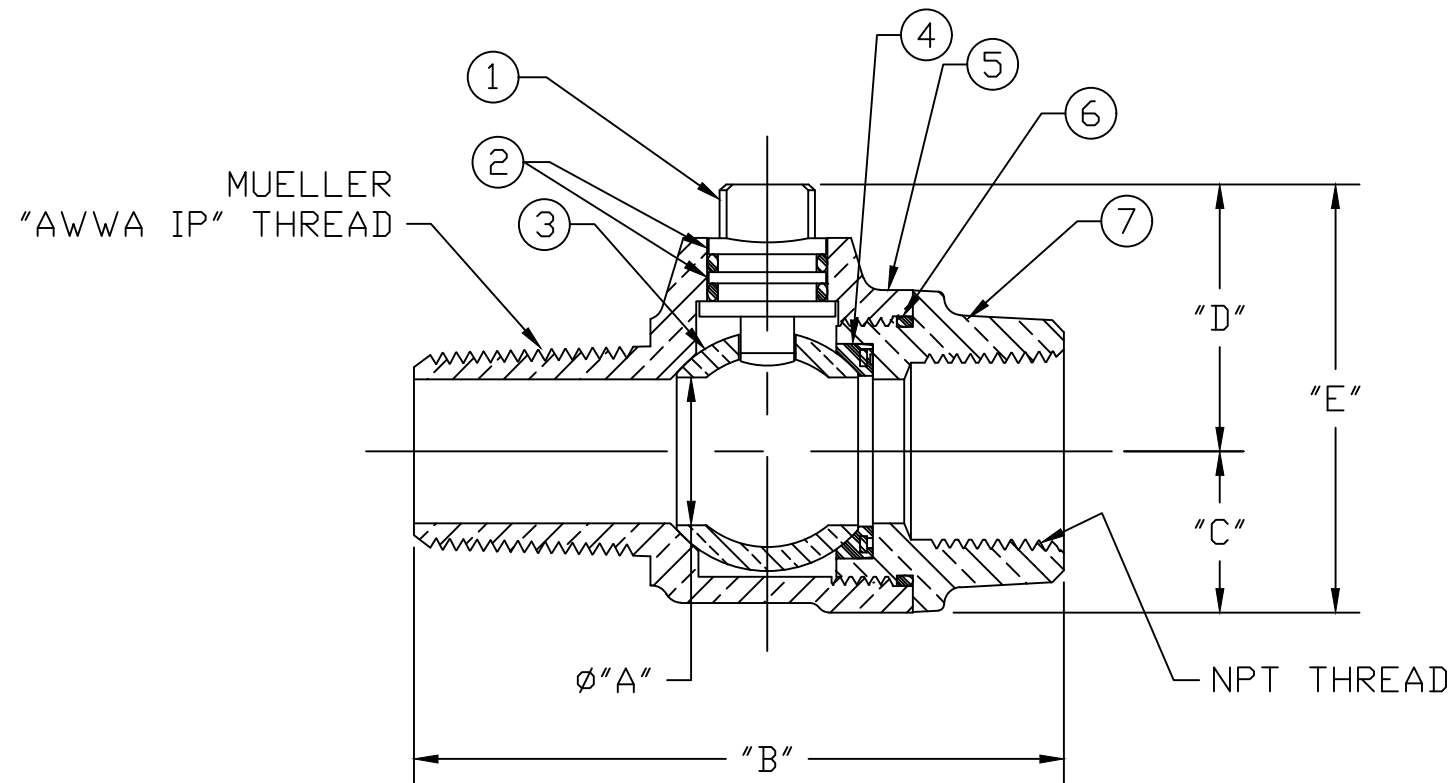


No.	DESCRIPTION	MATERIAL
1	STEM	NO LEAD BRASS ALLOY
2	O-RING	EPDM D2000
3	BALL	NO LEAD BRASS ALLOY
4	GASKET - SEAL	EPDM D2000
5	BODY	CAST NO LEAD BRASS ALLOY
6	O-RING	EPDM D2000
7	END PIECE	CAST NO LEAD BRASS ALLOY



SIZE	ØA	B	C	D	E
3/4	.75	3.38	.84	1.36	2.20
3/4x1	.75	3.62	.84	1.39	2.23
1	1.00	4.11	1.15	1.56	2.71
1-1/2	1.50	4.78	1.50	2.12	3.62
2	2.00	5.33	1.82	2.44	4.26

ALL WETTED PARTS ARE NO LEAD BRASS ALLOY

FILEPATH: PROD-ENG\MUELLER\ASYSUBMITTALS\B20046N

						DRFTR JGarvin 1/28/10	MUELLER	UNLESS OTHERWISE NOTED		THIRD ANGLE PROJECTION
						CHKR		SURFACE PREPARATION: BREAK CORNER(S) ---- .000 SURFACE FINISH -- XX RMS	REF. No.	SCALE
						ENGR				
						MGR		BY	DATE	
						STK No:	MAT'L:			
							DESCR.		DWG NUMBER	
							NLB BALL CORPORATION VALVE ("AWWA IP" x FIP)		B20046N	
							PER EST NO: DXXXX EST FIN WT = 0.0000 lbs			

DWG NUMBER
B20046N
442-MRKTNG

TITLE TO AND OWNERSHIP OF THIS ENGINEERING DATA REMAINS IN Mueller Co. NO USE IS TO BE MADE OF THIS DATA EXCEPT AS SPECIFICALLY AUTHORIZED BY Mueller Co. ASSENT ON THE PART OF THE RECIPIENT TO THESE CONDITIONS IS PRESUMED