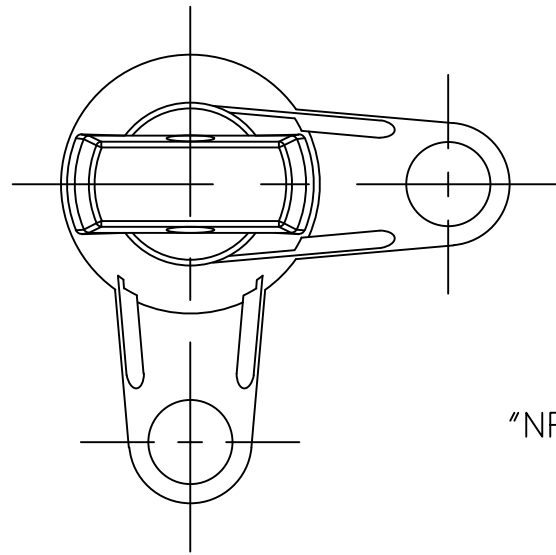
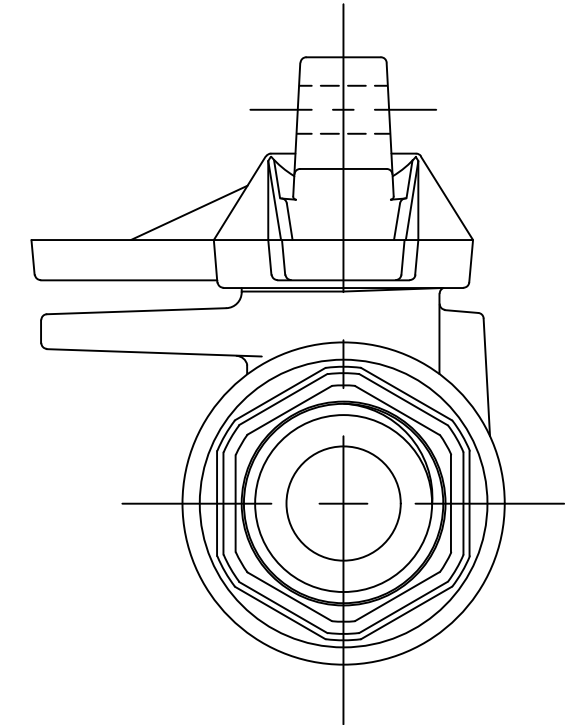
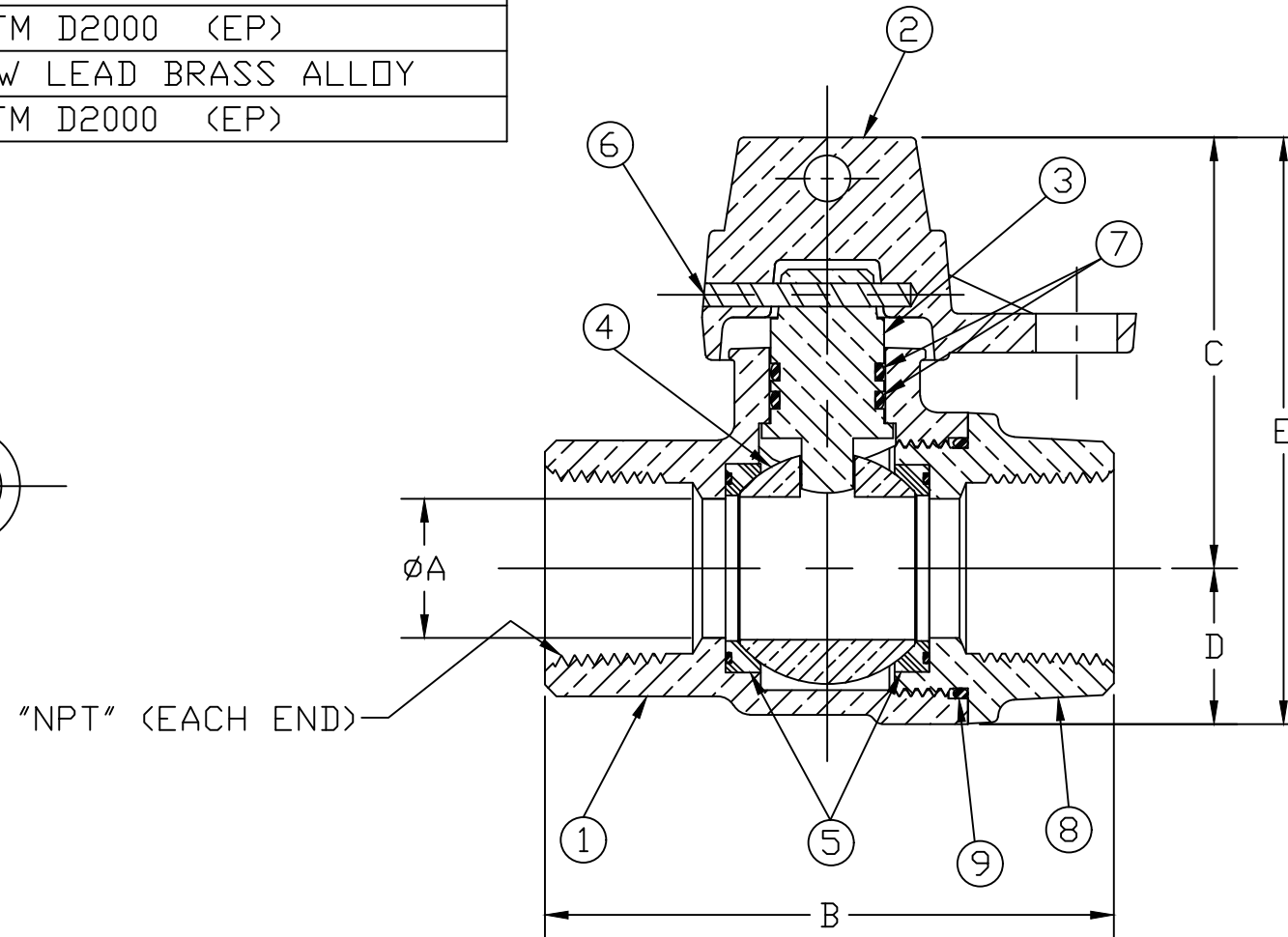


No.	DESCRIPTION	REQ'D	MATERIAL DESCRIPTION
1	BODY	1	CAST LOW LEAD BRASS ALLOY
2	CAP	1	CAST BRASS ASTM B62 ALLOY C83600
3	STEM	1	LOW LEAD BRASS ALLOY
4	BALL	1	LOW LEAD BRASS ALLOY
5	GASKET	2	ASTM D2000 (NITRILE)
6	SOLID PIN	1	AISI 304 ANNEALED STAINLESS STEEL
7	O-RING	2	ASTM D2000 (EP)
8	END PIECE	1	CAST LOW LEAD BRASS ALLOY
9	O-RING	1	ASTM D2000 (EP)

VALVE SIZE	A	B	C	D	E
1"	1.00	3.84	2.62	1.15	3.77
2"	2.00	4.96	3.91	1.82	5.73



TOP VIEW OF CAP



ALL WETTED PARTS ARE LOW LEAD BRASS ALLOY

FILEPATH: PROD-ENG\MUELLER\APPROVED\B2020008N

DWG NUMBER
B2020008N
442-MRKTG

TITLE TO AND OWNERSHIP OF THIS ENGINEERING DATA REMAINS IN Mueller Co. NO USE IS TO BE MADE OF THIS DATA EXCEPT AS SPECIFICALLY AUTHORIZED BY Mueller Co. ASSENT ON THE PART OF THE RECIPIENT TO THESE CONDITIONS IS PRESUMED.

DRFTR	RWB	6/17/13	Mueller Co.	
CHKR				
ENGR				
MGR				
			UNLESS OTHERWISE NOTED	THIRD ANGLE PROJECTION
			SURFACE PREPARATION:	
			BREAK CORNER(S) ---- .000	
			SURFACE FINISH -- XX RMS	REF. No.
			TOLERANCE(S):	SCALE
			LINEAR ----- ± .000	FULL
			ANGULAR ----- ± 0°00	
			STK No:	
			MAT'L:	
			DESCR.	DWG NUMBER
			PER EST NO: XXXX EST FIN WT = 0.0000 lbs	B2020008N

INLINE LLB BALL METER VALVE
LOCK OPEN/CLOSE (FIP x FIP)