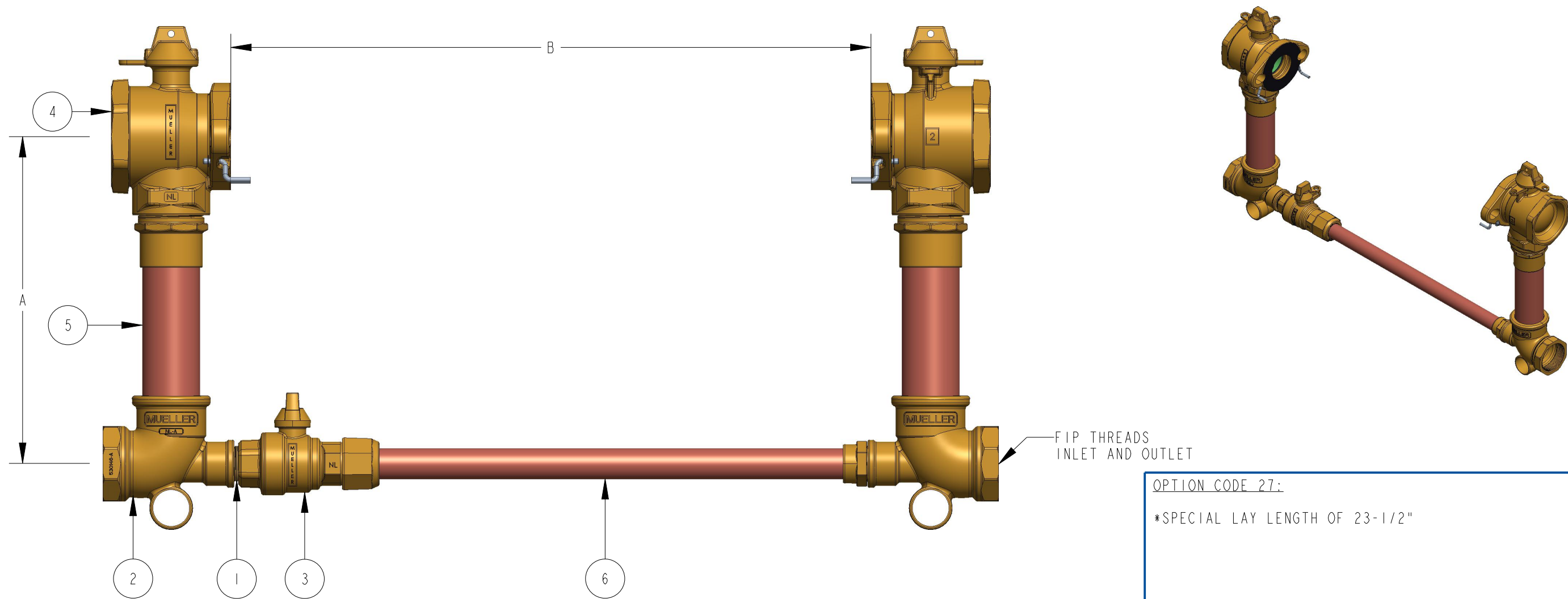


METER SIZE	1-1/2"	2"
A (MINIMUM)	12"	12"
B	23-1/2"	23-1/2"
TEE (FIP X SOLDER X FIP)	509704	530146
FULL PORT BALL VALVE	500B242860IN	550B242860IN

ITEM NO	PART NUMBER	QTY	DESCRIPTION	MATERIAL
1	047139	1	1" CLOSED NIPPLE	RED BRASS ASTM B43 ALLOY C23000 O61 TEMPER ANNEALED
2		2	TEE (FIP X SOLDER X FIP)	LEAD FREE BRASS ALLOY ASTM B584 C89833/C87850
3	330B25170N	1	1" INLINE BALL VALVE (110 X FIP)	LEAD FREE BRASS ALLOY ASTM B584 C89833/C87850
4	B242860IN	2	FULL PORT BALL VALVE	LEAD FREE BRASS ALLOY ASTM B584 C89833/C87850
5		2	RISER SUB ASSEMBLY	HARD COPPER TUBING UNS C12200 H80 TEMPER
6	682428E	1	1" BYPASS SUB ASSEMBLY	HARD COPPER TUBING UNS C12200 H80 TEMPER



OPTION CODE 27:
*SPECIAL LAY LENGTH OF 23-1/2"

B2423----27N

DR. BY	AOD	3/03/23	UNLESS OTHERWISE NOTED	THIRD ANGLE PROJECTION	C.B. NO.
CHKR			BREAK CAST CORNER(S)---		
ENGR			BREAK MACH CORNER(S)---	PURCH.	FINISH
MGR			TOLERANCES	REF. NO.	PATT. NO.
MFG			UNLESS OTHERWISE NOTED	SCALE	
TOOL			LINEAR	ANGULAR	
FDY			±	±	STK. NO.
MAT'L:					
		DESCR.	COPPER METER SETTER LEAD FREE BRASS	NUMBER	B2423----27N