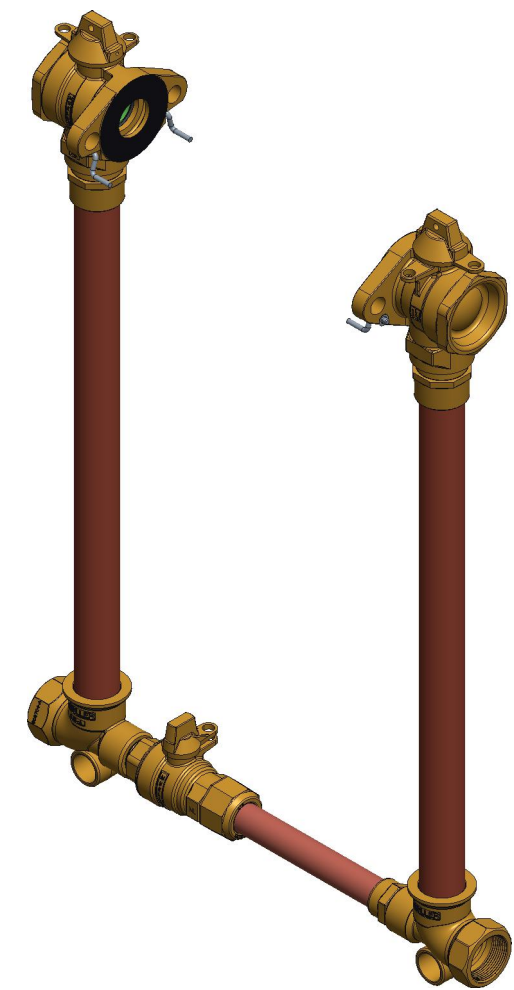
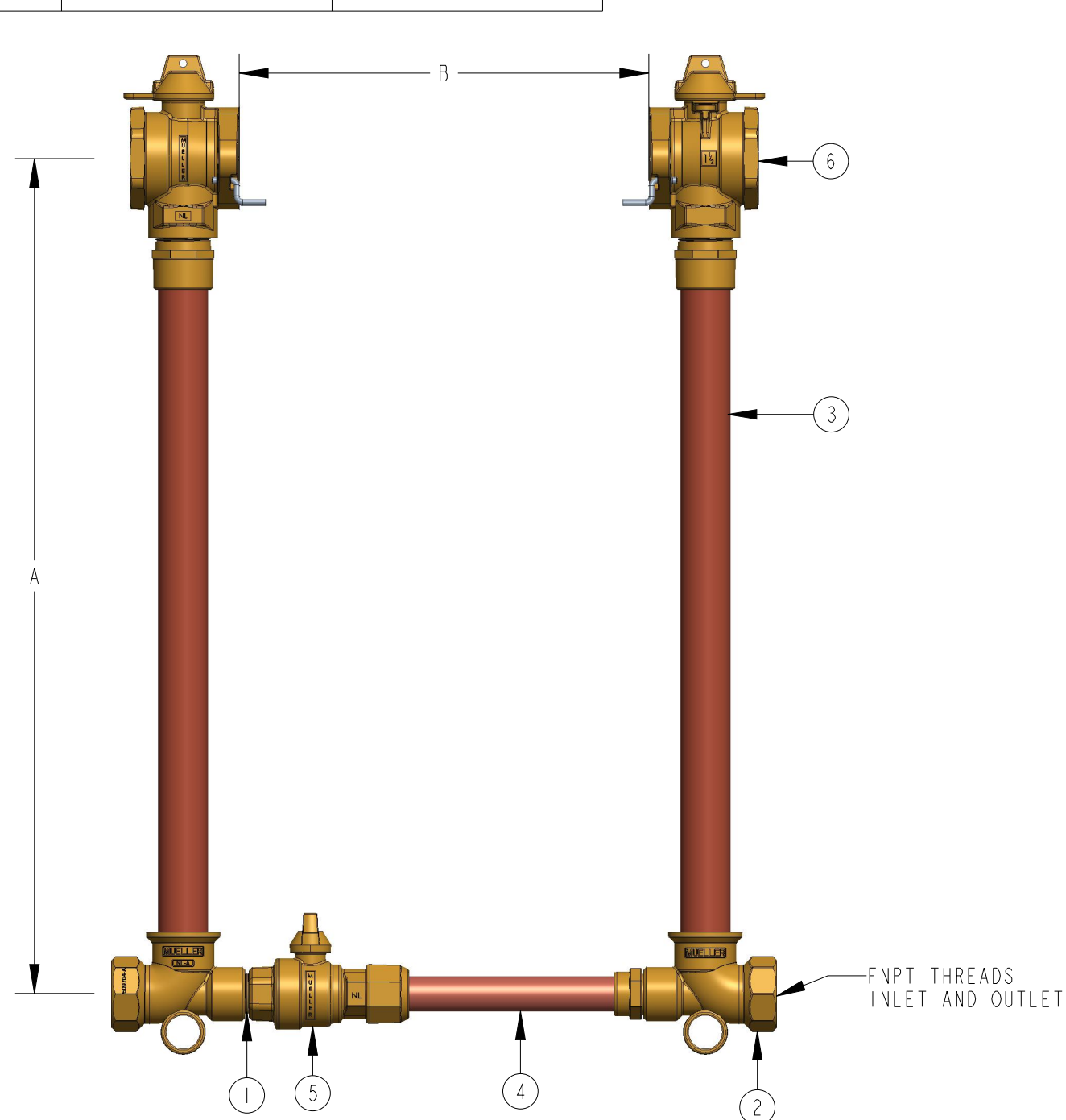


METER SIZE	1-1/2"	2"
A (MINIMUM)	12"	12"
B	13.25"	17.25"
CLOSED NIPPLE	047139	047139
RISER TEE	509704	530146
BY-PASS SUB ASSEMBLY	283236E	682158E
INLINE BALL VALVE	330B25170N	330B25170N
FULL PORT BALL VALVE	500B242860IN	550B242860IN

ITEM NO	PART NUMBER	QTY	DESCRIPTION	MATERIAL
1		1	CLOSED NIPPLE	RED BRASS ASTM B43 ALLOY C23000 O61 TEMPER ANNEALED
2		2	RISER TEE (FIP X SOLDER X FIP)	LEAD FREE BRASS ALLOY ASTM B584 C89833/C87850
3		2	RISER SUB ASSEMBLY	HARD COPPER TUBING UNS C12200 H80 TEMPER
4		1	BY-PASS SUB ASSEMBLY	HARD COPPER TUBING UNS C12200 H80 TEMPER
5	B25170N	1	INLINE BALL VALVE (110 X FIP)	LEAD FREE BRASS ALLOY ASTM B584 C89833/C87850
6	B242860IN	2	FULL PORT BALL VALVE	LEAD FREE BRASS ALLOY ASTM B584 C89833/C87850



096B2423-----N

DR. BY	AOD	10/14/22	UNLESS OTHERWISE NOTED	THIRD ANGLE PROJECTION	C.B. NO.
CHKR			BREAK CAST CORNER(S)---		
ENGR			BREAK MACH CORNER(S)---	PURCH.	FINISH
MGR			TOLERANCES	REF. NO.	PATT. NO.
MFG			UNLESS OTHERWISE NOTED	SCALE	NONE
TOOL			LINEAR	ANGULAR	
FDRY			±	±	STK. NO.
MAT'L:					
<b>MUELLER</b>		DESCR.	COPPER METER SETTER LEAD FREE BRASS		NUMBER 096B2423-----N