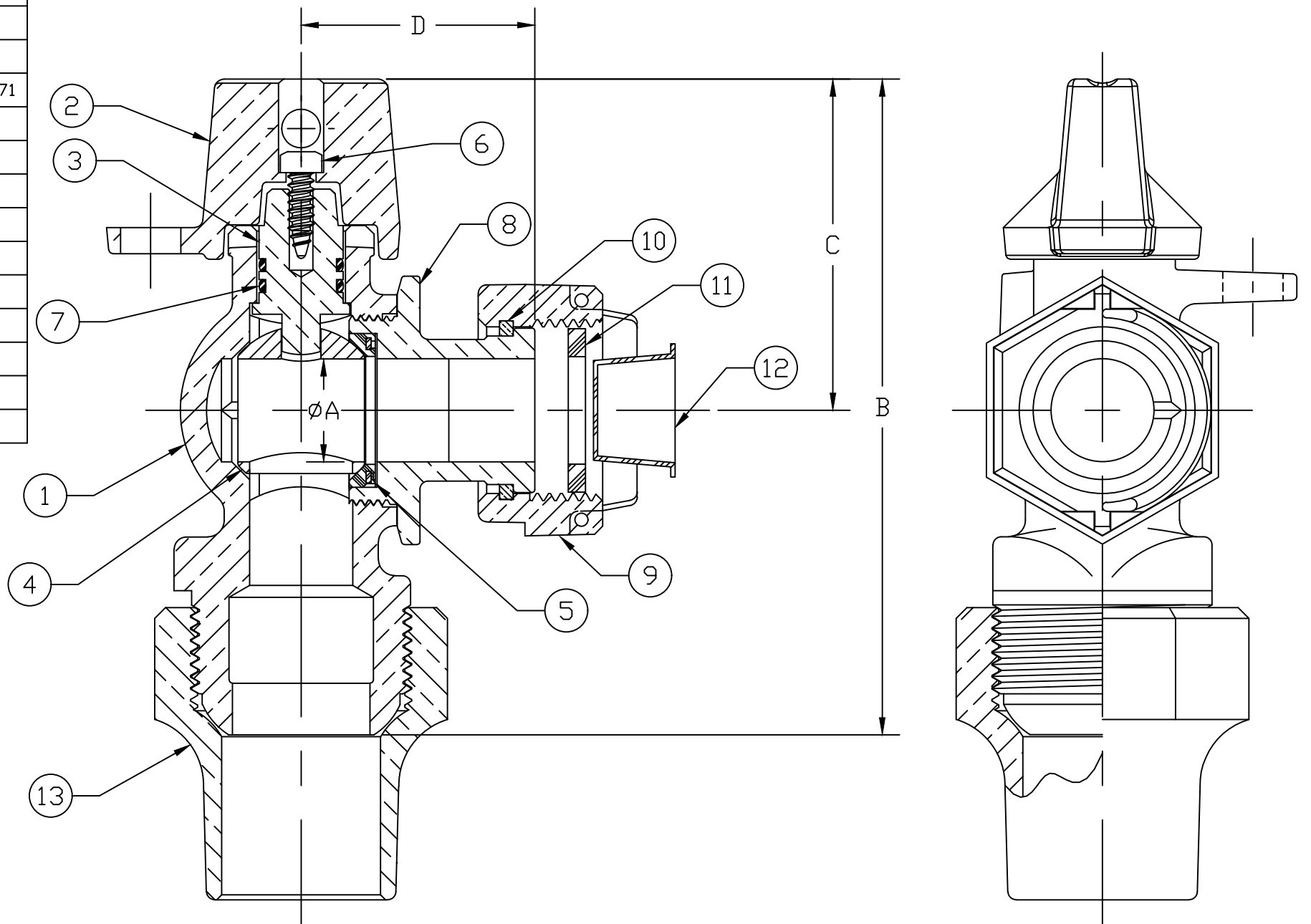


ITEM	REQ'D	DESCRIPTION	MATERIAL
1	1	BODY	LEAD FREE BRASS ALLOY ASTM B584
2	1	CAP	CAST BRASS ALLOY ASTM B584
3	1	STEM	LEAD FREE BRASS ALLOY ASTM B584/B371
4	1	BALL	LEAD FREE BRASS ALLOY ASTM B584
5	2	GASKET	EPDM D2000
6	1	SCREW	AISI 302 STAINLESS STEEL
7	2	O-RING	EPDM D2000
8	1	END PIECE	LEAD FREE BRASS ALLOY ASTM B584
9	1	SADDLE NUT	CAST BRASS ALLOY ASTM B584
10	1	SNAP RING	COPPER ALLOY CDA521
11	1	RUBBER GASKET	EPDM D2000
12	1	CAP PLUG	PLASTIC
13	1	COPPER TUBE NUT	CAST BRASS ALLOY ASTM B584



SIZE	ØA	B	C	D
5/8" x 3/4" R	.62	4.33	2.35	1.69
5/8" x 3/4"	.75	4.33	2.35	1.69
5/8" x 3/4" x 3/4" R	.62	4.33	2.35	1.69
5/8" x 3/4" x 3/4"	.75	4.33	2.35	1.69
5/8" x 3/4" x 1"	.75	4.71	2.35	1.69
1" R	.75	5.00	2.64	1.95
1"	1.00	5.00	2.64	1.95

MEETS ALL REQUIREMENTS OF AWWA C800  
 ALL STEMS ARE LEAD FREE BRASS ALLOY C89833/C69300  
 ALL WETTED PARTS ARE LEAD FREE BRASS ALLOY C89833/C87850  
 ALL NON WETTED PARTS ARE BRASS ALLOY C83600/C87850

DWG NUMBER  
B24255N

TITLE TO AND OWNERSHIP OF THIS ENGINEERING  
 DATA REMAINS IN Mueller Co. NO USE IS TO BE  
 MADE OF THIS DATA EXCEPT AS SPECIFICALLY  
 AUTHORIZED BY Mueller Co. ASSENT ON THE PART  
 OF THE RECIPIENT TO THESE CONDITIONS IS PRESUMED

DRFTR	AD	03/13/23	<b>MUELLER</b>	
CHKR				
ENGR			UNLESS OTHERWISE NOTED SURFACE PREPARATION: BREAK CORNER(S) ---- .000 SURFACE FINISH -- 000 RMS	THIRD ANGLE PROJECTION
MGR				TOLERANCE(S): LINEAR ----- ± .000 ANGULAR ----- ± 0°00'
	BY	DATE		SCALE
				NONE
STK No:				
MAT'L:				
DESCR.	ANGLE METER VALVE			DWG NUMBER B24255N