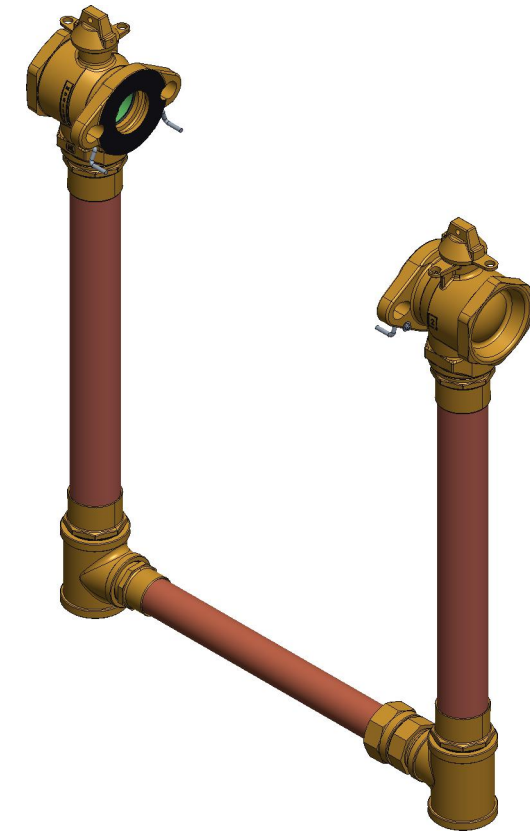
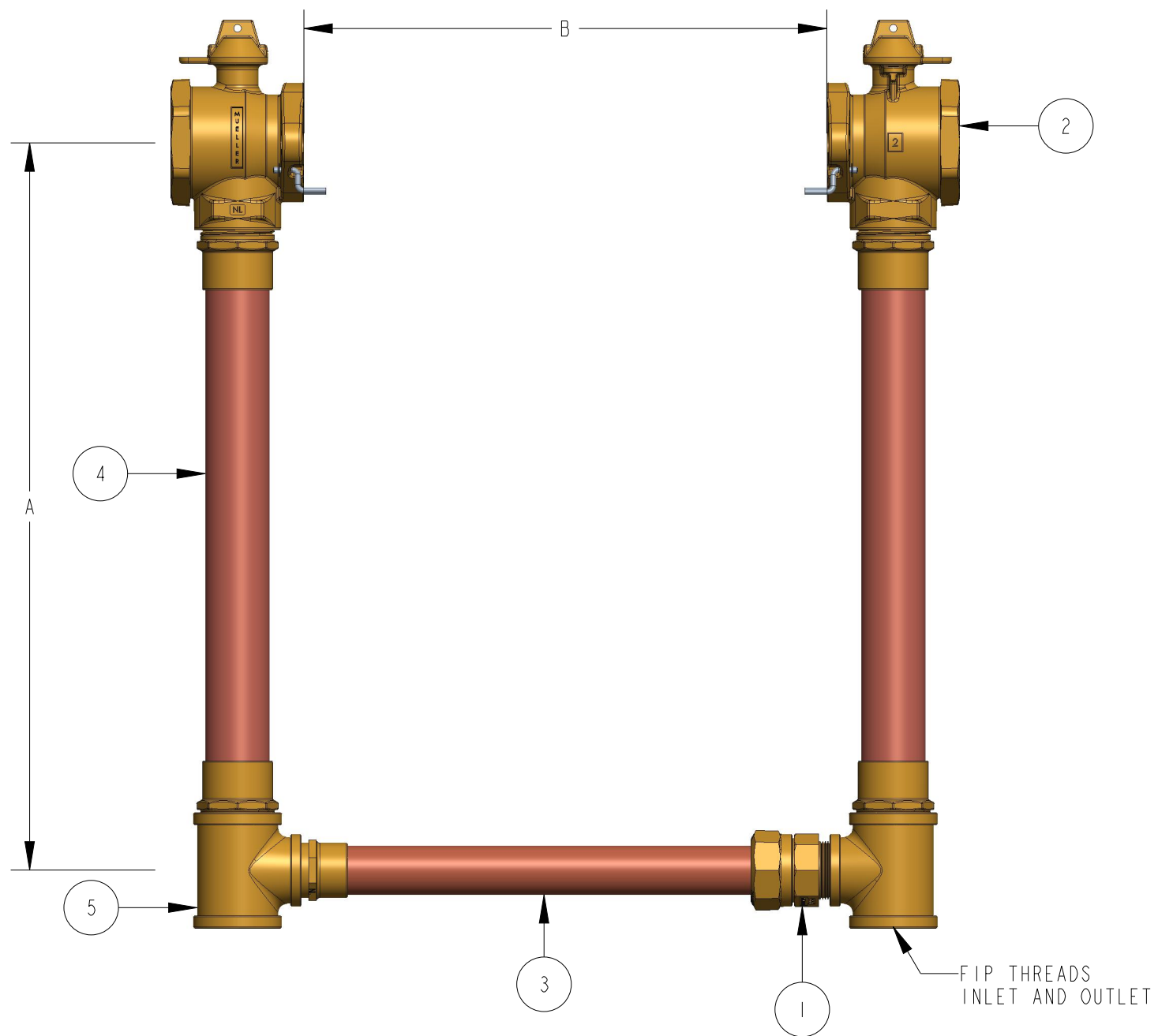


METER SIZE	1-1/2"	2"
A (MINIMUM)	12"	12"
B	13-1/4"	17-1/4"
110 COMP X MIP TAILPIECE	330H15428N	500H15428N
ANGLE FULL PORT BALL VALVE	500B242860IN	550B242860IN
TIE BAR SUB ASSEMBLY	282970E	680377E
FIP X FIP TEE	790187E	790159E

ITEM NO	PART NUMBER	QTY	DESCRIPTION	MATERIAL
1	H15428N	1	110 COMP X MIP TAILPIECE	LEAD FREE BRASS ALLOY ASTM B584 C89833/C87850
2	B242860IN	2	ANGLE FULL PORT BALL VALVE	LEAD FREE BRASS ALLOY ASTM B584 C89833/C87850
3		1	TIE BAR SUB ASSEMBLY	HARD COPPER TUBING UNS C12200 H80 TEMPER
4		2	RISER SUB ASSEMBLY	HARD COPPER TUBING UNS C12200 H80 TEMPER
5		2	FIP X FIP TEE	LEAD FREE BRASS ALLOY ASTM B584 C89833/C87850



OPTION CODE 00:

*ANGLE BALL VALVES ON INLET AND OUTLET

DR. BY	AOD	3/09/23	UNLESS OTHERWISE NOTED	THIRD ANGLE PROJECTION	C.B. NO.
CHKR			BREAK CAST CORNER(S)---		
ENGR			BREAK MACH CORNER(S)---	PURCH.	PATT. NO.
MGR			TOLERANCES	FINISH	
MFG			UNLESS OTHERWISE NOTED	REF. NO.	SCALE
TOOL			LINEAR	±	NONE
FDRY			ANGULAR	±	
MAT'L:				STK. NO.	
MUELLER		DESCR.	COPPER METER SETTER LEAD FREE BRASS		NUMBER B2423-2-106N

B2423-2-106N