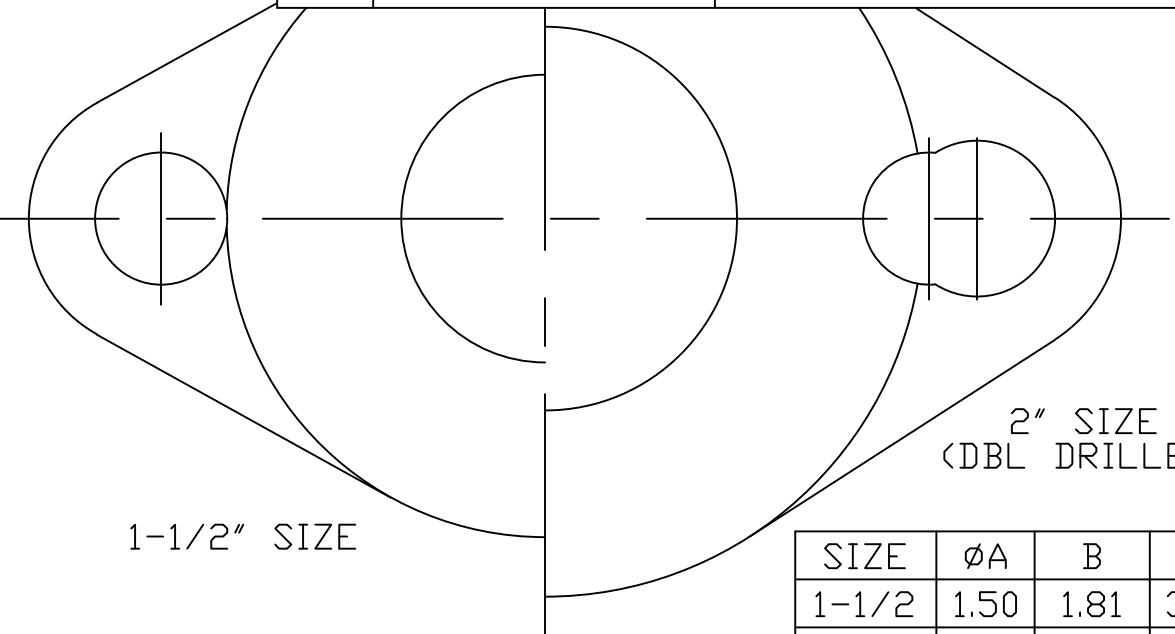


No.	DESCRIPTION	MATERIAL
1	STEM	LEAD FREE BRASS ALLOY ASTM B584/B371
2	O-RING	EPDM D2000
3	BALL	LEAD FREE BRASS ALLOY ASTM B584
4	GASKET - SEAL	EPDM D2000
5	BODY	LEAD FREE BRASS ALLOY ASTM B584
6	CAP	CAST BRASS ALLOY ASTM B584
7	SEALING PLUG	LEAD FREE BRASS ALLOY ASTM B584
8	ROLLPIN	STAINLESS STEEL ASTM A240 TYPE 302
9	CONN. NUT	CAST BRASS ALLOY ASTM B584
10	CTS GSKT SUB	SBR D2000 - GSKT 410ss - BAND
11	O-RING	EPDM D2000



SIZE	φA	B	C	D	E
1-1/2	1.50	1.81	3.00	3.53	6.53
2	2.00	2.19	3.78	4.22	8.00

MEETS ALL REQUIREMENTS OF AWWA C800
 ALL STEMS ARE LEAD FREE BRASS ALLOY
 C89833/C69300
 ALL WETTED PARTS ARE LEAD FREE BRASS
 ALLOY C89833/C87850
 ALL NON WETTED PARTS ARE BRASS ALLOY
 C83600/C87850

DWG NUMBER
 B24276N

DRFTR	AD	03/13/23	MUELLER		
CHKR					
ENGR			UNLESS OTHERWISE NOTED SURFACE PREPARATION: BREAK CORNER(S) ---- .000 SURFACE FINISH -- XX RMS	THIRD ANGLE PROJECTION	
MGR				REF. No.	SCALE
	BY	DATE	TOLERANCE(S): LINEAR ----- ± .000 ANGULAR ----- ± 0°00'		NONE
STK No:					
MAT'L:					
DESCR.			BALL ANGLE METER VALVE (110CTS x METER)		
			DWG NUMBER B24276N		

TITLE TO AND OWNERSHIP OF THIS ENGINEERING
 DATA REMAINS IN Mueller Co. NO USE IS TO BE
 MADE OF THIS DATA EXCEPT AS SPECIFICALLY
 AUTHORIZED BY Mueller Co. ASSENT ON THE PART
 OF THE RECIPIENT TO THESE CONDITIONS IS PRESUMED