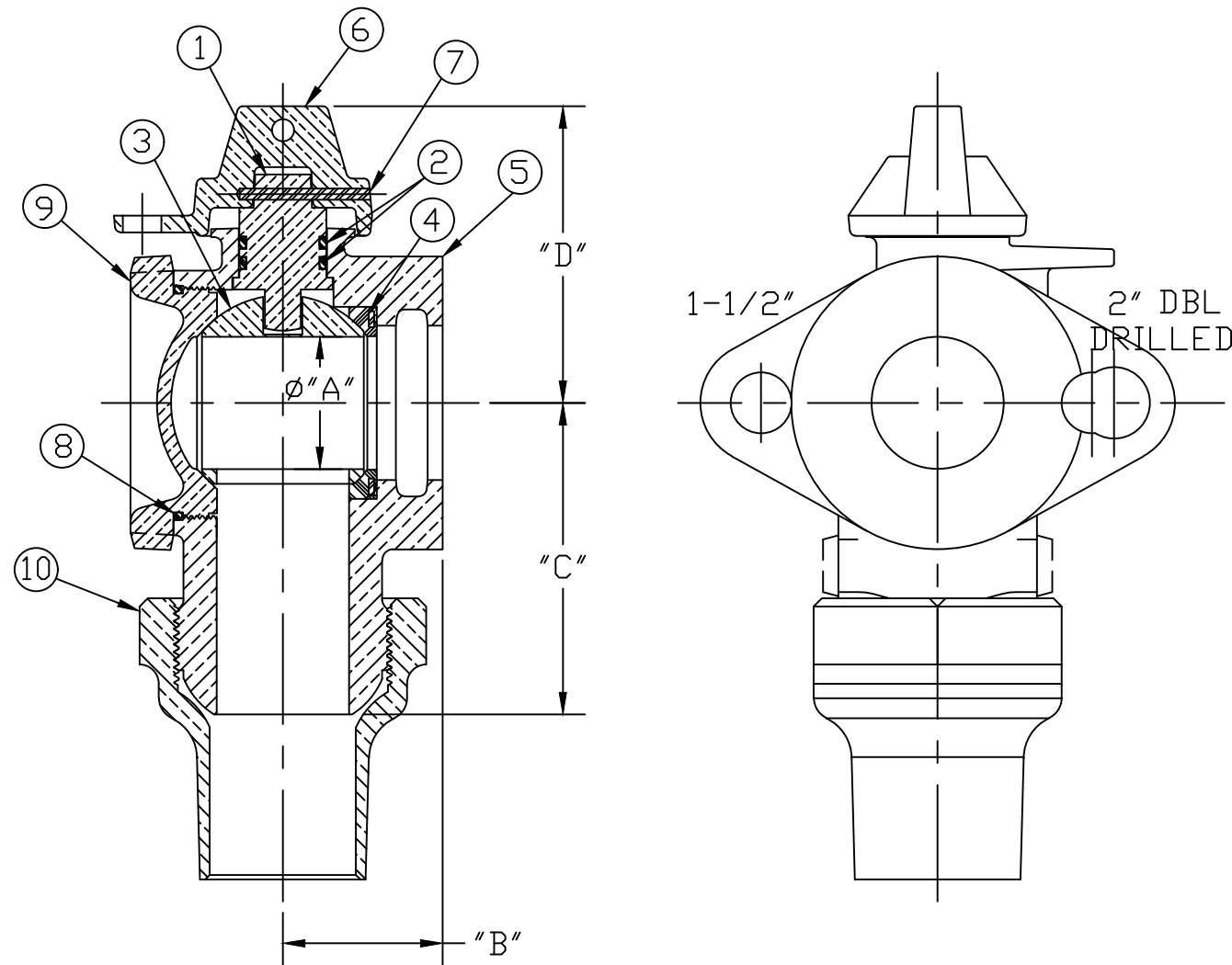


No.	DESCRIPTION	MATERIAL
1	STEM	NO LEAD BRASS ALLOY
2	O-RING	EPDM D2000
3	BALL	NO LEAD BRASS ALLOY
4	GASKET-SEAL	EPDM D2000
5	BODY	CAST NO LEAD BRASS ALLOY
6	CAP	CAST BRASS ASTM B62 ALLOY C83600
7	SOLID PIN	AISI 304 ANNEALED STAINLESS STEEL
8	ORING	EPDM D2000
9	SEALING PLUG	CAST NO LEAD BRASS ALLOY
10	TUBE NUT	CAST BRASS ASTM B62 ALLOY C83600



SIZE	∅A	B	C	D
1-1/2"	1.50	1.81	3.53	3.36
2"	2.00	2.19	4.34	4.06

ALL WETTED PARTS ARE NO LEAD BRASS ALLOY

FILEPATH: PROD-ENG\MUELLER\ASYSUBMITTALS\B2427738N

						DRFTR	RWB	11/8/21	MUELLER	UNLESS OTHERWISE NOTED THIRD ANGLE PROJECTION SURFACE PREPARATION: BREAK CORNER(S) ---- .000 SURFACE FINISH -- XX RMS TOLERANCE(S): LINEAR ----- ± .000 ANGULAR ----- ± 0°00'	REF. No.	SCALE NONE PLOT HALF			
						CHKR									
						ENGR									
						MGR									
							BY	DATE	STK No:						
									MAT'L:						
									DESCR.	BALL ANGLE METER VALVE - NLB (“CS” x METER)		DWG NUMBER B2427738N			
									REV	ECR	DESCRIPTION	DATE	BY	CHKR	PER EST NO: DXXXX EST FIN WT = 0.0000 lbs

DWG NUMBER
B2427738N
 442-MRKTG

TITLE TO AND OWNERSHIP OF THIS ENGINEERING
 DATA REMAINS IN Mueller Co. NO USE IS TO BE
 MADE OF THIS DATA EXCEPT AS SPECIFICALLY
 AUTHORIZED BY Mueller Co. ASSENT ON THE PART
 OF THE RECIPIENT TO THESE CONDITIONS IS PRESUMED