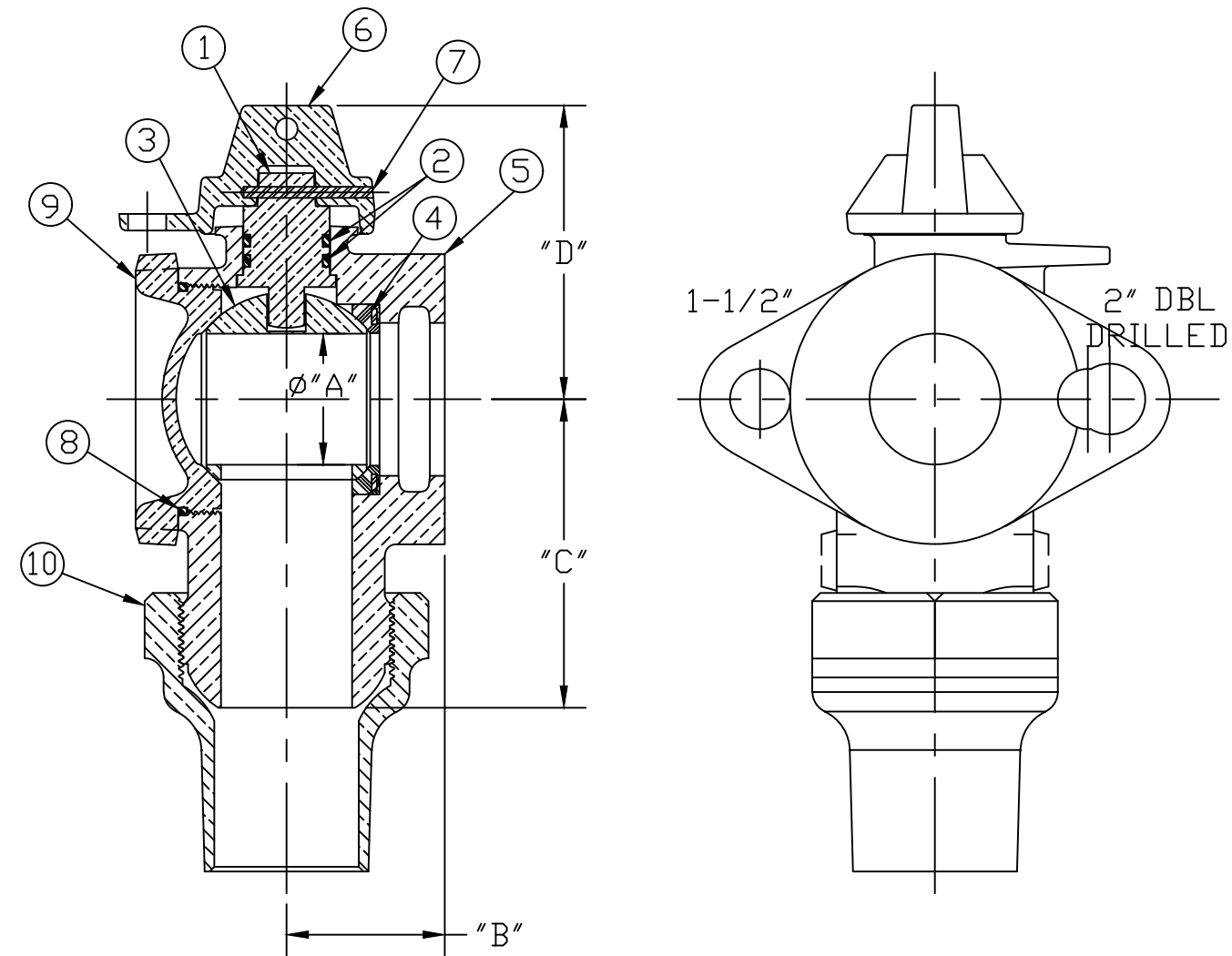


No.	DESCRIPTION	MATERIAL
1	STEM	LEAD FREE BRASS ALLOY ASTM B584/B371
2	O-RING	EPDM D2000
3	BALL	LEAD FREE BRASS ALLOY ASTM B584
4	GASKET-SEAL	EPDM D2000
5	BODY	LEAD FREE BRASS ALLOY ASTM B584
6	CAP	CAST BRASS ALLOY ASTM B584
7	SOLID PIN	AISI 304 ANNEALED STAINLESS STEEL
8	ORING	EPDM D2000
9	SEALING PLUG	LEAD FREE BRASS ALLOY ASTM B584
10	TUBE NUT	CAST BRASS ALLOY ASTM B584



SIZE	∅A	B	C	D
1-1/2"	1.50	1.81	3.53	3.36
2"	2.00	2.19	4.34	4.06

MEETS ALL REQUIREMENTS OF AWWA C800
 ALL STEMS ARE LEAD FREE BRASS ALLOY C89833/C69300
 ALL WETTED PARTS ARE LEAD FREE BRASS ALLOY C89833/C87850
 ALL NON WETTED PARTS ARE BRASS ALLOY C83600/C87850

DRFTR	AD	03/13/23	MUELLER	
CHKR				
ENGR			UNLESS OTHERWISE NOTED SURFACE PREPARATION: BREAK CORNER(S) ---- .000 SURFACE FINISH -- XX RMS	THIRD ANGLE PROJECTION
MGR				TOLERANCE(S): LINEAR ----- ± .000 ANGULAR ----- ± 0°00'
	BY	DATE		SCALE NONE PLOT HALF
STK No:				
MAT'L:				
DESCR.			BALL ANGLE METER VALVE (“CS” x METER)	DWG NUMBER B2427738N

TITLE TO AND OWNERSHIP OF THIS ENGINEERING DATA REMAINS IN Mueller Co. NO USE IS TO BE MADE OF THIS DATA EXCEPT AS SPECIFICALLY AUTHORIZED BY Mueller Co. ASSENT ON THE PART OF THE RECIPIENT TO THESE CONDITIONS IS PRESUMED

DWG NUMBER
B2427738N