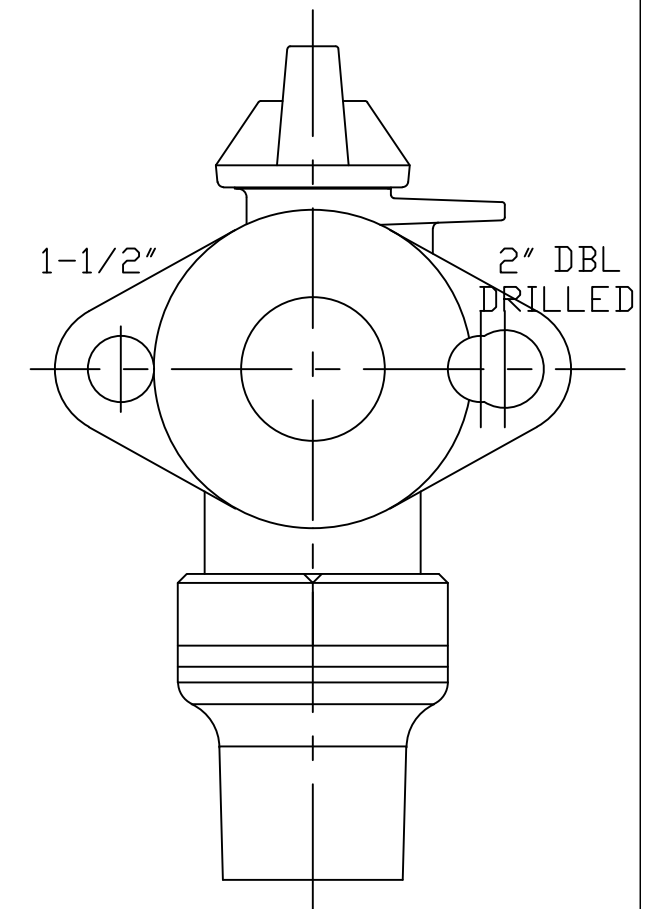
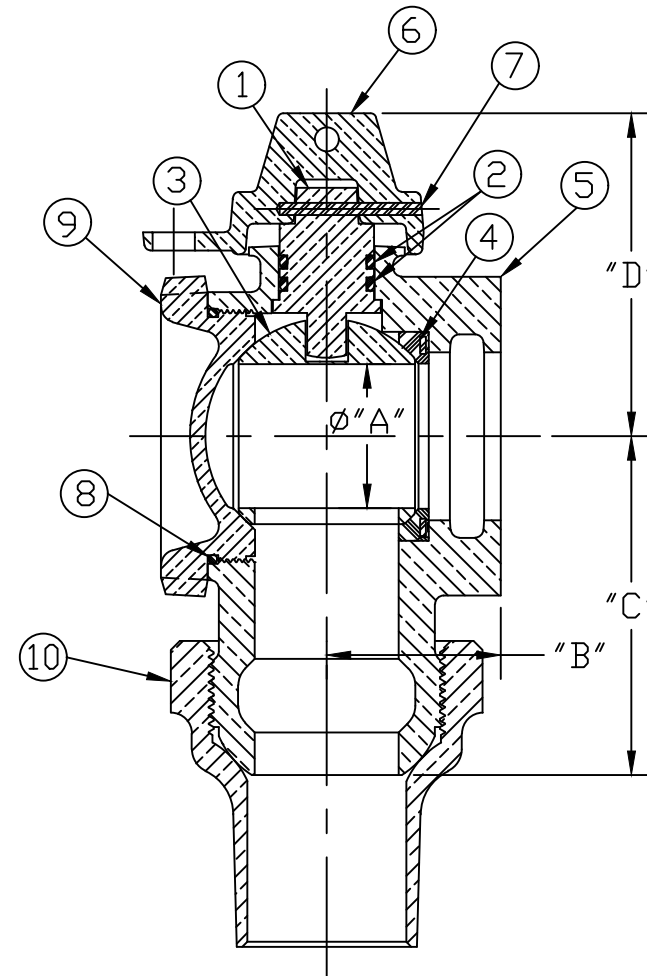


No.	DESCRIPTION	MATERIAL
1	STEM	LEAD FREE BRASS ALLOY ASTM B584/B371
2	O-RING	EPDM D2000
3	BALL	LEAD FREE BRASS ALLOY ASTM B584
4	GASKET-SEAL	EPDM D2000
5	BODY	LEAD FREE BRASS ALLOY ASTM B584
6	CAP	CAST BRASS ALLOY ASTM B584
7	SOLID PIN	AISI 304 ANNEALED STAINLESS STEEL
8	O-RING	EPDM D2000
9	SEALING PLUG	LEAD FREE BRASS ALLOY ASTM B584
10	TUBE NUT	CAST BRASS ALLOY ASTM B584



SIZE	∅A	B	C	D
1-1/2"	1.50	1.81	3.53	3.36
2"	2.00	2.19	4.34	4.06

MEETS ALL REQUIREMENTS OF AWWA C800  
 ALL STEMS ARE LEAD FREE BRASS ALLOY C89833/C69300  
 ALL WETTED PARTS ARE LEAD FREE BRASS ALLOY C89833/C87850  
 ALL NON WETTED PARTS ARE BRASS ALLOY C83600/C87850

DWG NUMBER  
B24277N

TITLE TO AND OWNERSHIP OF THIS ENGINEERING  
 DATA REMAINS IN Mueller Co. NO USE IS TO BE  
 MADE OF THIS DATA EXCEPT AS SPECIFICALLY  
 AUTHORIZED BY Mueller Co. ASSENT ON THE PART  
 OF THE RECIPIENT TO THESE CONDITIONS IS PRESUMED

DRFTR	AD	03/13/23	<b>MUELLER</b>	
CHKR				
ENGR			UNLESS OTHERWISE NOTED SURFACE PREPARATION: BREAK CORNER(S) ---- .000 SURFACE FINISH -- XX RMS	THIRD ANGLE PROJECTION
MGR				REF. No.
	BY	DATE	LINEAR ----- ± .000	NONE
			ANGULAR ----- ± 0°00'	
STK No:			MAT'L:	
DESCR.			DWG NUMBER	
BALL ANGLE METER VALVE (\"CS\" x METER)			B24277N	