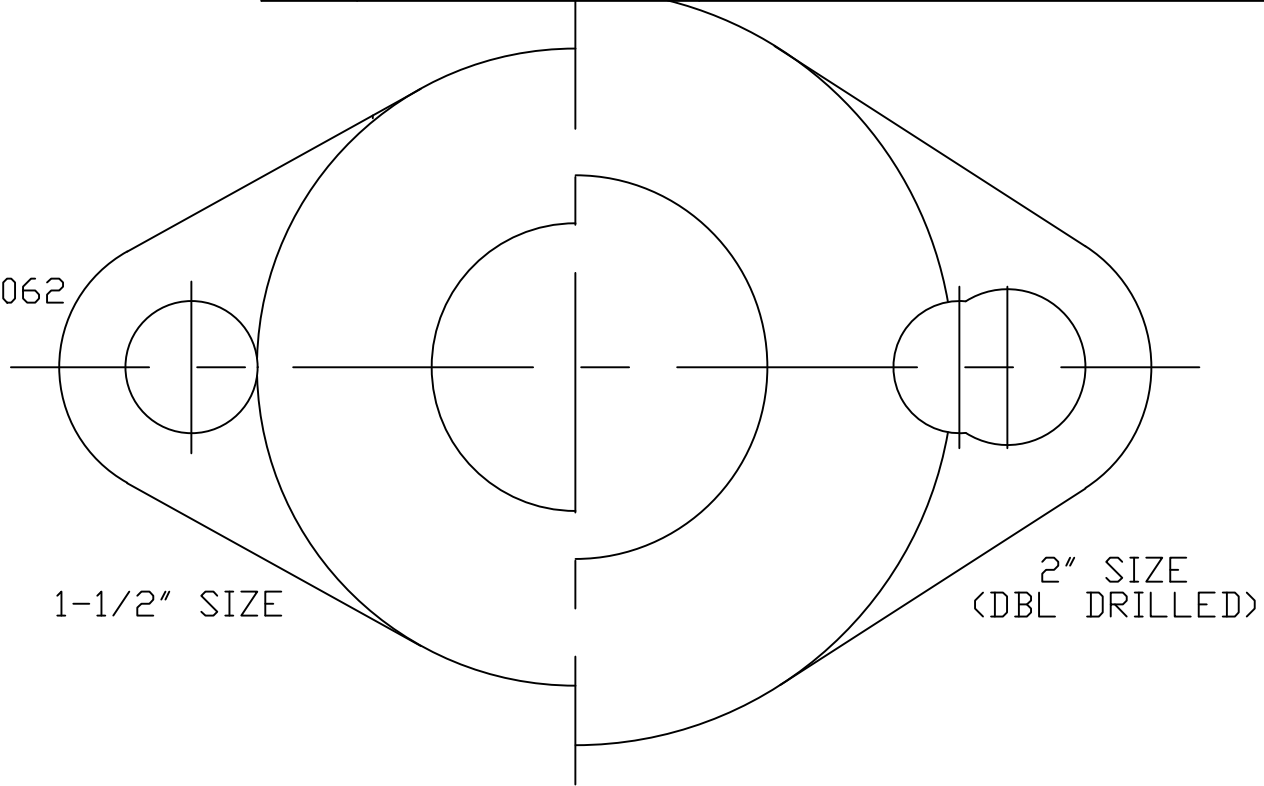


No.	DESCRIPTION	MATERIAL
1	STEM	NO LEAD BRASS ALLOY
2	O-RING	EPDM D2000
3	BALL	NO LEAD BRASS ALLOY
4	GASKET - SEAL	EPDM D2000
5	BODY	CAST NO LEAD BRASS ALLOY
6	CAP	CAST BRASS ASTM B62 ALLOY C83600
7	SEALING PLUG	CAST NO LEAD BRASS ALLOY
8	ROLLPIN	STAINLESS STEEL ASTM A240 TYPE 302
9	O-RING	EPDM D2000



ALL WETTED PARTS ARE NO LEAD BRASS ALLOY

FILEPATH: PROD-ENG\MUELLER\ASYSUBMITTALS\B2428638N

SIZE	$\phi A$	B	C	D	E
1-1/2	1.500	1.812	2.562	3.500	6.062
2	2.000	2.188	2.875	4.196	7.071

DRFTR	RWB	8/30/21	<b>MUELLER</b>	THIRD ANGLE PROJECTION 	
CHKR					
ENGR					
MGR					
UNLESS OTHERWISE NOTED			REF. No.	SCALE	
SURFACE PREPARATION:					
BREAK CORNER(S) ---- .000					
SURFACE FINISH -- XX RMS					
TOLERANCE(S):					
LINEAR ----- $\pm$ .000					
ANGULAR ----- $\pm$ 0°00'					
STK No:			DWG NUMBER		
MAT'L:			B2428638N		
DESCR:			NLB ANGLE METER BALL VALVE W/ TALL CAP (FIP x METER)		
REV	ECR	DESCRIPTION	DATE	BY	CHKR
PER EST NO: DXXXX EST FIN WT = 0.0000 lbs					

DWG NUMBER  
B2428638N  
442-MRKTG

TITLE TO AND OWNERSHIP OF THIS ENGINEERING DATA REMAINS IN Mueller Co. NO USE IS TO BE MADE OF THIS DATA EXCEPT AS SPECIFICALLY AUTHORIZED BY Mueller Co. ASSENT ON THE PART OF THE RECIPIENT TO THESE CONDITIONS IS PRESUMED