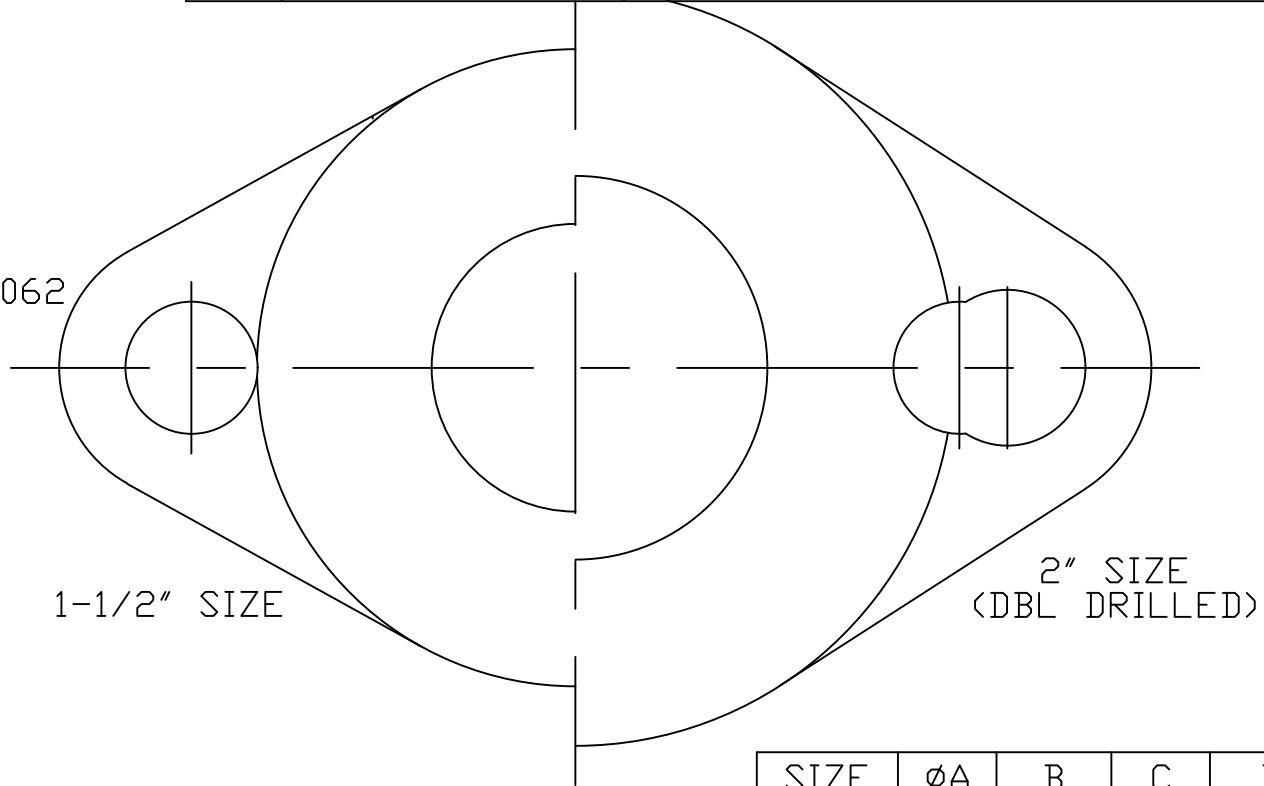


No.	DESCRIPTION	MATERIAL
1	STEM	LEAD FREE BRASS ALLOY ASTM B584/B371
2	O-RING	EPDM D2000
3	BALL	LEAD FREE BRASS ALLOY ASTM B584
4	GASKET - SEAL	EPDM D2000
5	BODY	LEAD FREE BRASS ALLOY ASTM B584
6	CAP	CAST BRASS ALLOY ASTM B584
7	SEALING PLUG	LEAD FREE BRASS ALLOY ASTM B584
8	ROLLPIN	STAINLESS STEEL ASTM A240 TYPE 302
9	O-RING	EPDM D2000



SIZE	ϕA	B	C	D	E
1-1/2	1.500	1.812	2.562	3.500	6.062
2	2.000	2.188	2.875	4.196	7.071

NPT THREADS

MEETS ALL REQUIREMENTS OF AWWA C800
 ALL STEMS ARE LEAD FREE BRASS ALLOY C89833/C69300
 ALL WETTED PARTS ARE LEAD FREE BRASS ALLOY C89833/C87850
 ALL NON WETTED PARTS ARE BRASS ALLOY C83600/C87850

DRFTR	AD	03/13/23	MUELLER	
CHKR				
ENGR			UNLESS OTHERWISE NOTED SURFACE PREPARATION: BREAK CORNER(S) ---- .000 SURFACE FINISH -- XX RMS	THIRD ANGLE PROJECTION
MGR				TOLERANCE(S): LINEAR ----- $\pm .000$ ANGULAR ----- $\pm 0^{\circ}00'$
BY	DATE			SCALE
STK No:				NONE
MAT'L:				
DESCR.	ANGLE METER BALL VALVE W/ TALL CAP (FIP x METER)			DWG NUMBER
				B2428638N

DWG NUMBER
B2428638N

TITLE TO AND OWNERSHIP OF THIS ENGINEERING DATA REMAINS IN Mueller Co. NO USE IS TO BE MADE OF THIS DATA EXCEPT AS SPECIFICALLY AUTHORIZED BY Mueller Co. ASSENT ON THE PART OF THE RECIPIENT TO THESE CONDITIONS IS PRESUMED