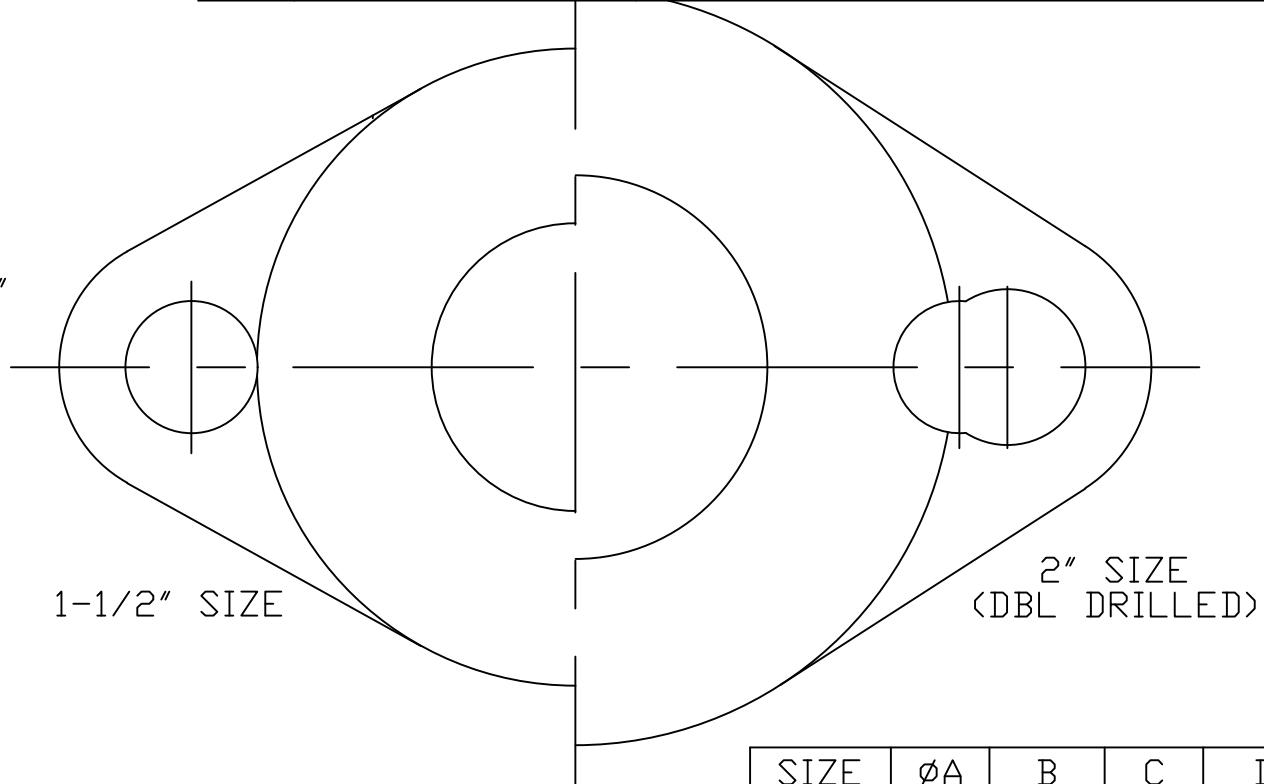


No.	DESCRIPTION	MATERIAL
1	STEM	LEAD FREE BRASS ALLOY ASTM B584/B371
2	O-RING	EPDM D2000
3	BALL	LEAD FREE BRASS ALLOY ASTM B584
4	GASKET - SEAL	EPDM D2000
5	BODY	LEAD FREE BRASS ALLOY ASTM B584
6	CAP	CAST BRASS ASTM B62 ALLOY C83600
7	SEALING PLUG	LEAD FREE BRASS ALLOY ASTM B584
8	ROLLPIN	STAINLESS STEEL ASTM A240 TYPE 302
9	O-RING	EPDM D2000



SIZE	ØA	B	C	D	E
1-1/2	1.500	1.812	2.562	3.363	5.925
2	2.000	2.188	2.875	4.059	6.934

NPT THREADS

MEETS ALL REQUIREMENTS OF AWWA C800  
 ALL STEMS ARE LEAD FREE BRASS ALLOY C89833/C69300  
 ALL WETTED PARTS ARE LEAD FREE BRASS ALLOY C89833/C87850  
 ALL NON WETTED PARTS ARE BRASS ALLOY C83600/C87850

DRFTR	AD	03/13/23	<b>MUELLER</b>	
CHKR				
ENGR			UNLESS OTHERWISE NOTED SURFACE PREPARATION: BREAK CORNER(S) ---- .000 SURFACE FINISH -- XX RMS	THIRD ANGLE PROJECTION
MGR				TOLERANCE(S): LINEAR ----- ± .000 ANGULAR ----- ± 0°00'
BY	DATE			SCALE
STK No:				NONE
MAT'L:				
DESCR.	ANGLE METER BALL VALVE (FIP x METER)			DWG NUMBER B24286N

DWG NUMBER  
B24286N

TITLE TO AND OWNERSHIP OF THIS ENGINEERING  
 DATA REMAINS IN Mueller Co. NO USE IS TO BE  
 MADE OF THIS DATA EXCEPT AS SPECIFICALLY  
 AUTHORIZED BY Mueller Co. ASSENT ON THE PART  
 OF THE RECIPIENT TO THESE CONDITIONS IS PRESUMED