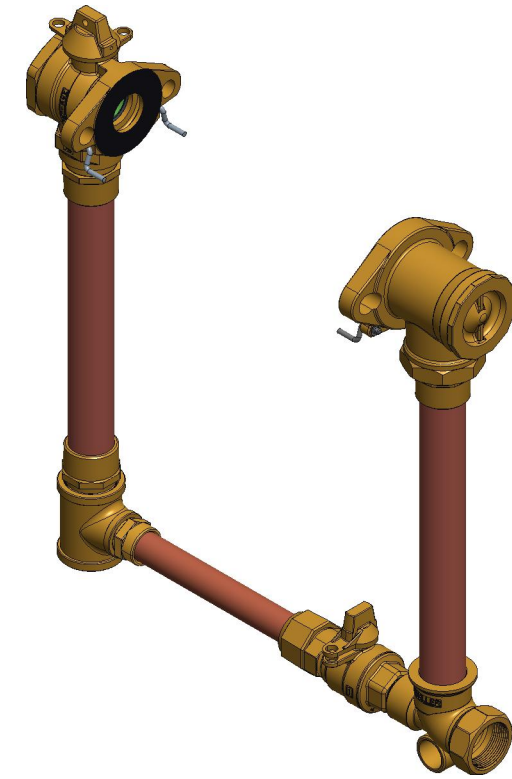
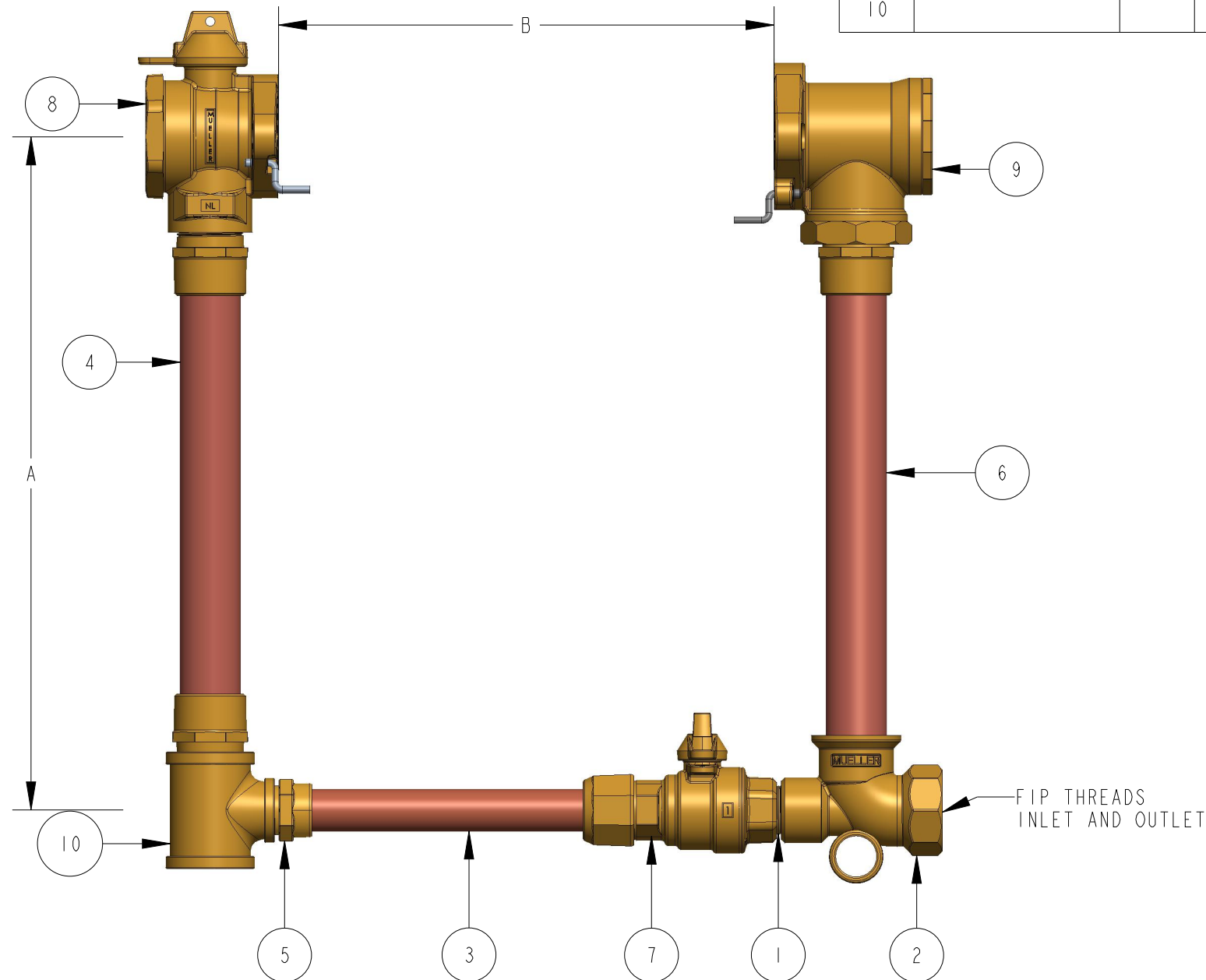


METER SIZE	1-1/2"	2"
A (MINIMUM)	12"	12"
B	13-1/4"	17-1/4"
CLOSED NIPPLE	047139	047141
COPPER TUBE	532064	283237
SPUD	074955E	508453E
INLINE BALL VALVE	500B25170N	550B25170N
FULL PORT BALL VALVE	500B242860IN	550B242860IN
DUAL CHECK VALVE	500HI4244N	550HI4244N
FIP THREADED TEE	790187E	790159E

ITEM NO	PART NUMBER	QTY	DESCRIPTION	MATERIAL
1		1	CLOSED NIPPLE	RED BRASS ASTM B43 ALLOY C23000 O61 TEMPER ANNEAL
2		1	RISER TEE	LEAD FREE BRASS ALLOY ASTM B584 C89833/C87850
3		1	COPPER TUBE	TYPE K COPPER TUBING
4		1	RISER SUB ASSEMBLY	RED BRASS ASTM B43 ALLOY C23000 HARD TEMPER
5		1	SPUD	LEAD FREE BRASS ALLOY ASTM B584 C89833/C87850
6		1	RISER SUB ASSEMBLY	RED BRASS ASTM B43 ALLOY C23000 HARD TEMPER
7	B25170N	1	INLINE BALL VALVE	LEAD FREE BRASS ALLOY ASTM B584 C89833/C87850
8	B242860IN	1	FULL PORT BALL VALVE	LEAD FREE BRASS ALLOY ASTM B584 C89833/C87850
9	HI4244N		DUAL CHECK VALVE	LEAD FREE BRASS ALLOY ASTM B584 C89833/C87850
10			FIP THREADED TEE	CAST BRONZE ASTM B584 ALLOY C89833



B2429--2---N

DR. BY	AOD	3/02/23	UNLESS OTHERWISE NOTED	THIRD ANGLE PROJECTION	C.B. NO.
CHKR			BREAK CAST CORNER(S)---		
ENGR			BREAK MACH CORNER(S)---	PURCH.	FINISH
MGR			TOLERANCES	REF. NO.	PATT. NO.
MFG			UNLESS OTHERWISE NOTED	SCALE	
TOOL			LINEAR	ANGULAR	
FDRY			±	±	
MAT'L:				STK. NO.	
MUELLER			DESCR. COPPER METER SETTER LEAD FREE BRASS	NUMBER	B2429--2---N