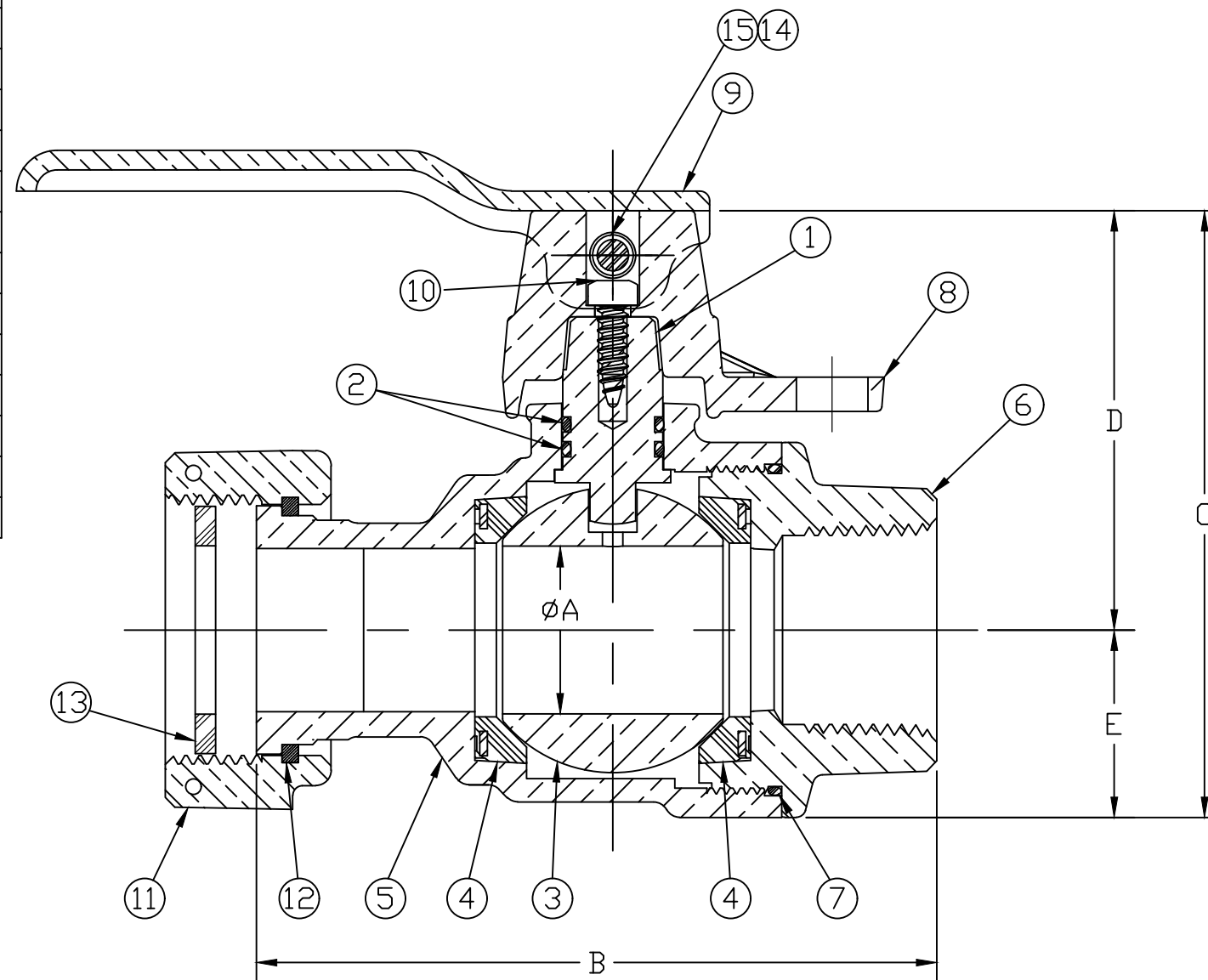


No.	DESCRIPTION	MATERIAL
1	STEM	LEAD FREE BRASS ALLOY ASTM B584/B371
2	O-RING	EPDM D2000
3	BALL	LEAD FREE BRASS ALLOY ASTM B584
4	GASKET - SEAL	EPDM D2000
5	BODY	LEAD FREE BRASS ALLOY ASTM B584
6	END PIECE	LEAD FREE BRASS ALLOY ASTM B584
7	O-RING	EPDM D2000
8	CAP	CAST BRASS ALLOY ASTM B584
9	HANDLE	CAST BRASS ALLOY ASTM B584
10	SCREW	18-8 STAINLESS STEEL
11	SADDLE NUT	CAST BRASS ALLOY ASTM B584
12	SNAP RING	COPPER ALLOY CDA521
13	RUBBER GASKET	NITRILE D2000
14	MACH SCREW	AISI 304 STAINLESS STEEL
15	HEX LOCKNUT	AISI 18-8 STAINLESS STEEL

SIZE	A	B	C	D	E
1"	1.00	4.17	3.72	2.57	1.15



MEETS ALL REQUIREMENTS OF AWWA C800
 ALL STEMS ARE LEAD FREE BRASS ALLOY C89833/C69300
 ALL WETTED PARTS ARE LEAD FREE BRASS ALLOY C89833/C87850
 ALL NON WETTED PARTS ARE BRASS ALLOY C83600/C87850

DWG NUMBER
B243514113N

TITLE TO AND OWNERSHIP OF THIS ENGINEERING
 DATA REMAINS IN Mueller Co. NO USE IS TO BE
 MADE OF THIS DATA EXCEPT AS SPECIFICALLY
 AUTHORIZED BY Mueller Co. ASSENT ON THE PART
 OF THE RECIPIENT TO THESE CONDITIONS IS PRESUMED

DRFTR	AD	03/13/23	MUELLER	
CHKR				
ENGR			UNLESS OTHERWISE NOTED SURFACE PREPARATION: BREAK CORNER(S) ---- .000 SURFACE FINISH -- XX RMS	THIRD ANGLE PROJECTION
MGR				TOLERANCE(S): LINEAR ----- ± .000 ANGULAR ----- ± 0°00'
STK No:				
MAT'L:				
DESCR.			DWG NUMBER	
INLINE 360° BALL METER VALVE (PLAIN NUT MTR x FIP)			B243514113N	