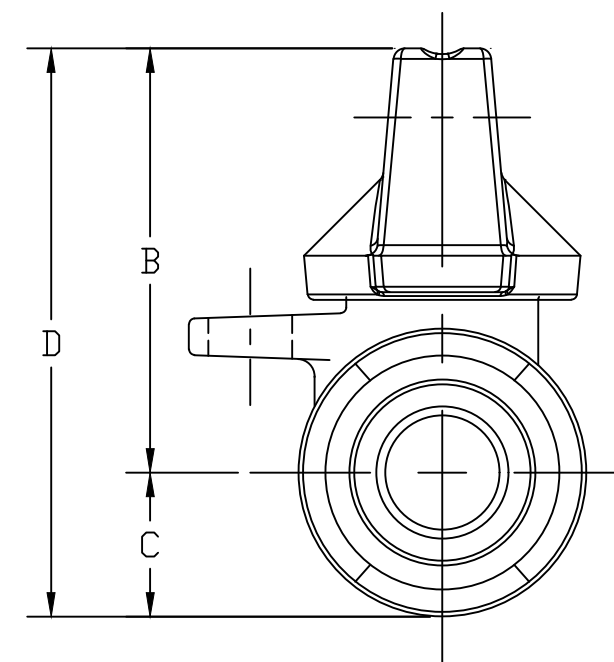
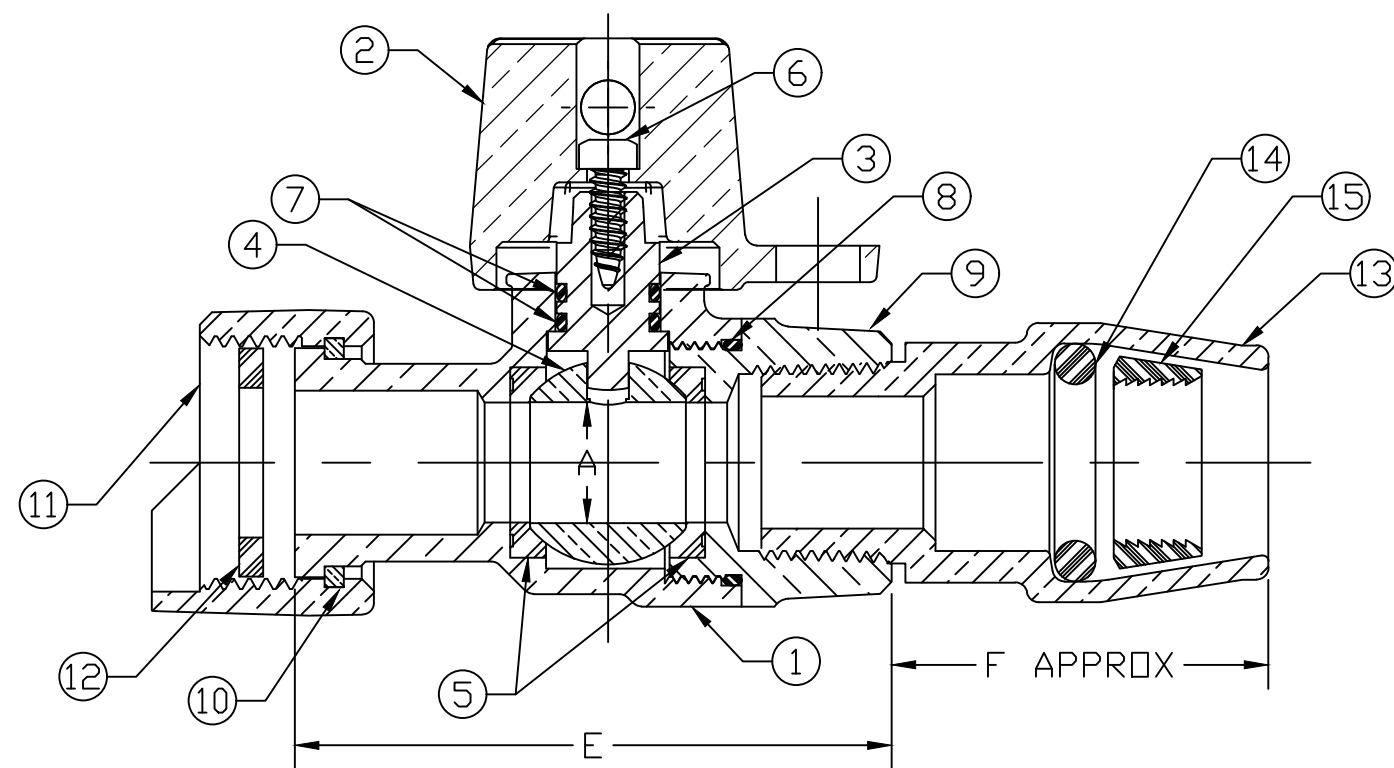


ITEM	DESCRIPTION	MATERIAL DESCRIPTION
1	BODY	LEAD FREE BRASS ALLOY ASTM B584
2	CAP	CAST BRASS ASTM B62 ALLOY C83600
3	STEM	LEAD FREE BRASS ALLOY ASTM B584/B371
4	BALL	LEAD FREE BRASS ALLOY ASTM B584
5	GASKET	EPDM D2000
6	SCREW	18-8 STAINLESS STEEL
7	O-RING	EPDM D2000
8	O-RING	EPDM D2000
9	END PIECE	LEAD FREE BRASS ALLOY ASTM B584
10	SNAP RING	COPPER ALLOY WIRE CDA 521
11	SADDLE NUT	CAST BRASS ALLOY ASTM B584
12	RUBBER GSKT	ASTM D2000 (SBR)

ITEM	DESCRIPTION	MATERIAL DESCRIPTION
13	BODY	LEAD FREE BRASS ALLOY ASTM B584
14	O-RING	EPDM D2000
15	GRIP RING	CELCON M90

SIZE	A	B	C	D	E	F
5/8x3/4x1	.750	2.31	.84	3.15	3.44	2.39
3/4 R	.625	2.12	.75	2.87	3.11	2.20
3/4	.750	2.31	.84	3.15	3.20	2.20



MEETS ALL REQUIREMENTS OF AWWA C800
 ALL STEMS ARE LEAD FREE BRASS ALLOY C89833/C69300
 ALL WETTED PARTS ARE LEAD FREE BRASS ALLOY C89833/C87850
 ALL NON WETTED PARTS ARE BRASS ALLOY C83600/C87850

DWG NUMBER
B24363N

TITLE TO AND OWNERSHIP OF THIS ENGINEERING
 DATA REMAINS IN Mueller Co. NO USE IS TO BE
 MADE OF THIS DATA EXCEPT AS SPECIFICALLY
 AUTHORIZED BY Mueller Co. ASSENT ON THE PART
 OF THE RECIPIENT TO THESE CONDITIONS IS PRESUMED

DRFTR	AD	03/13/23	MUELLER	
CHKR				
ENGR			UNLESS OTHERWISE NOTED SURFACE PREPARATION: BREAK CORNER(S) ---- .000 SURFACE FINISH -- XX RMS	THIRD ANGLE PROJECTION
MGR				REF. No.
	BY	DATE	TOLERANCE(S): LINEAR ----- ± .000 ANGULAR ----- ± 0°00'	NONE
STK No:				
MAT'L:				
DESCR.	INLINE BALL METER VALVE (MTR x CTS INSTA-TITE)			DWG NUMBER B24363N