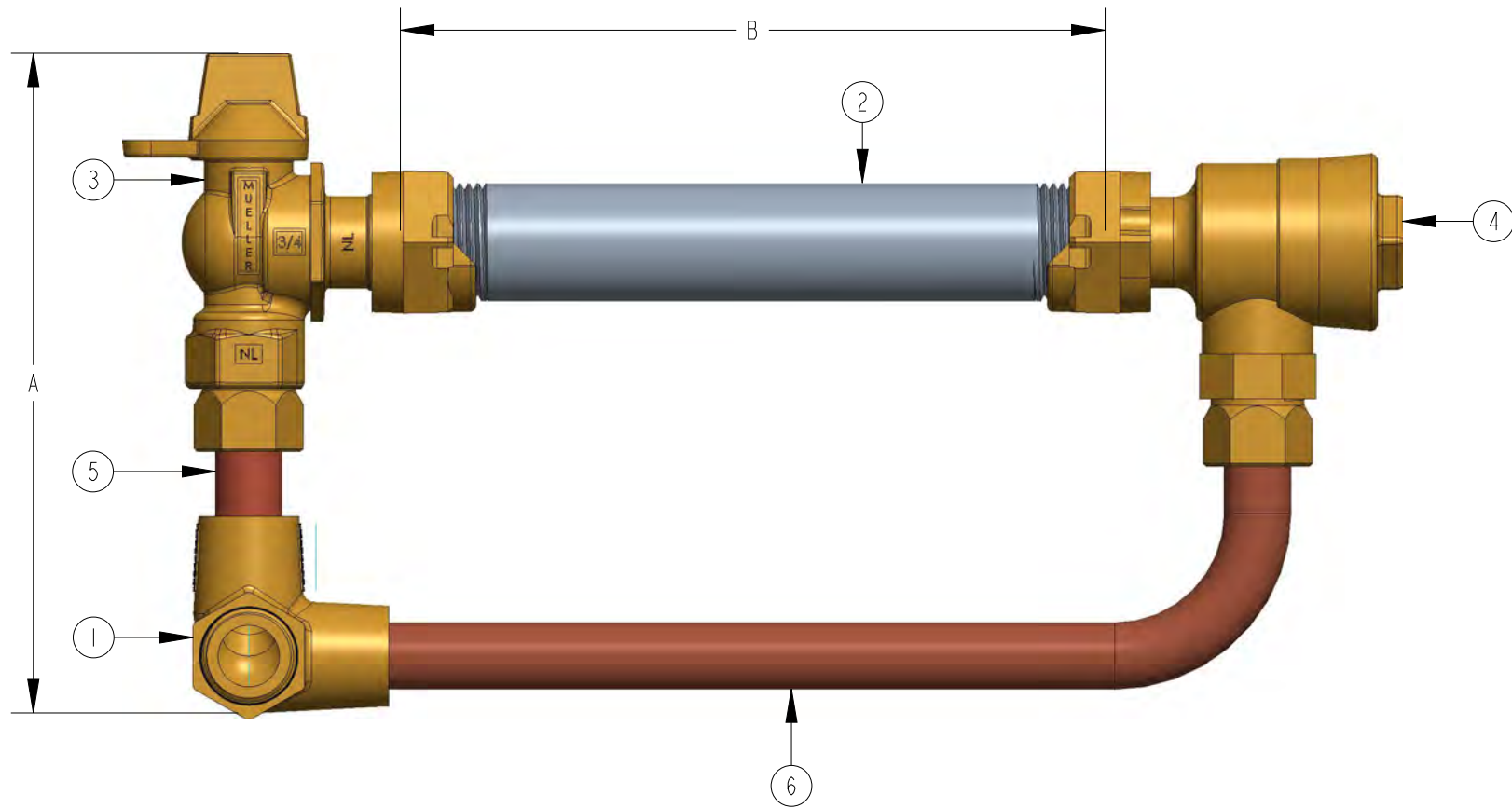


METER SIZE	5/8"	5/8"X3/4"	3/4"	1"
A (MINIMUM)	7-3/8"	7-3/8"	7-1/2"	9"
B	7-3/4"	7-3/4"	9-1/4"	11"
BODY	525276E	525276E	525319E	525277E
METER JUMPER	700220	700220	700439	700250
FULL PORT BALL VALVE	203B242655IN	215B242655IN	215B242655IN	330B24265N
ASSE DUAL ANGLE CHECK VALVE	203HI4244AN	215HI4244AN	215HI4244AN	330HI4244N

ITEM NO	PART NUMBER	QTY	DESCRIPTION
1		1	BODY
2		1	METER JUMPER
3	B242655IN	1	FULL PORT BALL VALVE
4	HI4244AN	1	ASSE DUAL ANGLE CHECK VALVE
5		1	INLET TUBE SUB ASSEMBLY
6		1	OUTLET TUBE SUB ASSEMBLY



203B2448--2A--N

DR. BY	AOD	1/16/22	UNLESS OTHERWISE NOTED		THIRD ANGLE PROJECTION	C.B. NO.
CHKR			BREAK CAST CORNER(S)---			
ENGR			BREAK MACH CORNER(S)---			
MGR			TOLERANCES		PURCH.	FINISH
MFG			UNLESS OTHERWISE NOTED		REF. NO.	SCALE
TOOL			LINEAR	ANGULAR		NONE
FDRY			±	±	STK. NO.	
MAT'L:						
MUELLER			DESCR. COPPER METER SETTER CORNER BASEMENT TYPE LOW LEAD BRASS		NUMBER 203B2448--2A--N	