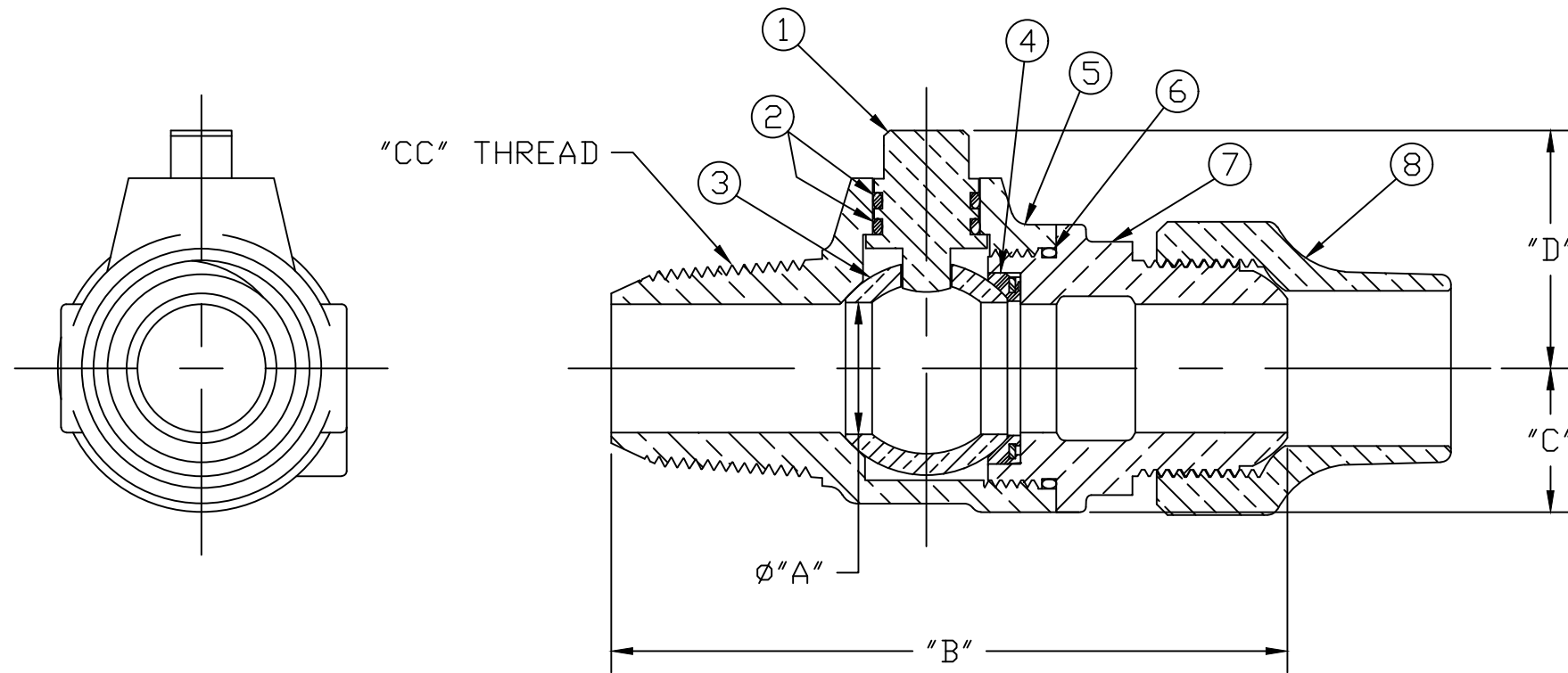


No.	DESCRIPTION	MATERIAL
1	STEM	NO LEAD BRASS ALLOY ASTM B584
2	O-RING	EPDM D2000
3	BALL	NO LEAD BRASS ALLOY ASTM B584
4	GASKET - SEAL	EPDM D2000
5	BODY	NO LEAD BRASS ALLOY ASTM B584
6	O-RING	EPDM D2000
7	END PIECE	NO LEAD BRASS ALLOY ASTM B584
8	TUBE NUT	CAST BRASS ASTM B62 ALLOY C83600



SIZE	øA	B	C	D
3/4	.75	3.95	.84	1.39
3/4x1	.75	4.08	.84	1.39
1	1.00	4.87	1.15	1.59
1-1/2	1.50	6.11	1.50	2.24
2	2.00	7.21	1.82	2.56

MEETS ALL REQUIREMENTS OF AWWA C800  
 ALL WETTED PARTS ARE NO LEAD BRASS ALLOY C89833 OR C87850

DWG NUMBER  
B25000N

TITLE TO AND OWNERSHIP OF THIS ENGINEERING DATA REMAINS IN Mueller Co. NO USE IS TO BE MADE OF THIS DATA EXCEPT AS SPECIFICALLY AUTHORIZED BY Mueller Co. ASSENT ON THE PART OF THE RECIPIENT TO THESE CONDITIONS IS PRESUMED

DRFTR	JGarvin	6/3/11	<b>MUELLER</b>	UNLESS OTHERWISE NOTED THIRD ANGLE PROJECTION	
CHKR					
ENGR					
MGR					
	BY	DATE	REF. No.	SCALE	
				NONE	
	STK No:		MAT'L:		
			DESCR.		
			NLB BALL CORPORATION VALVE		
			("CC" x "CS")		
			DWG NUMBER		
			B25000N		
REV	ECR	DESCRIPTION	DATE	BY	CHKR
PER EST NO: DXXXX EST FIN WT = 0.0000 lbs					