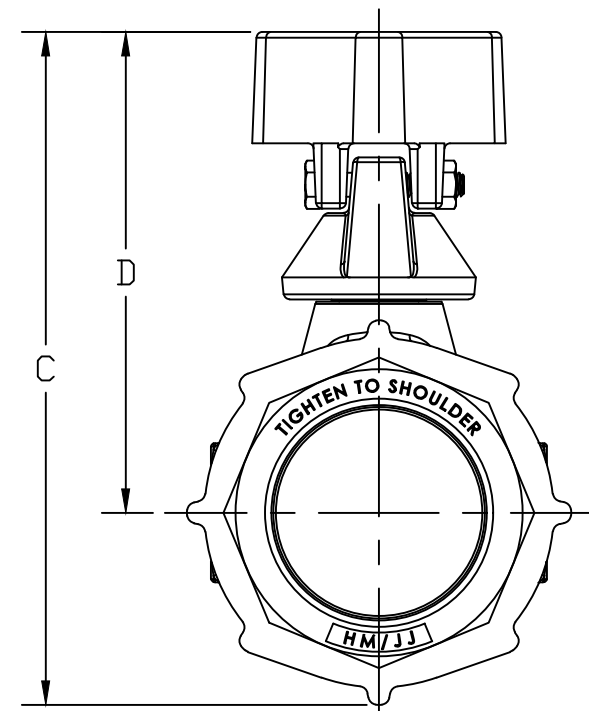
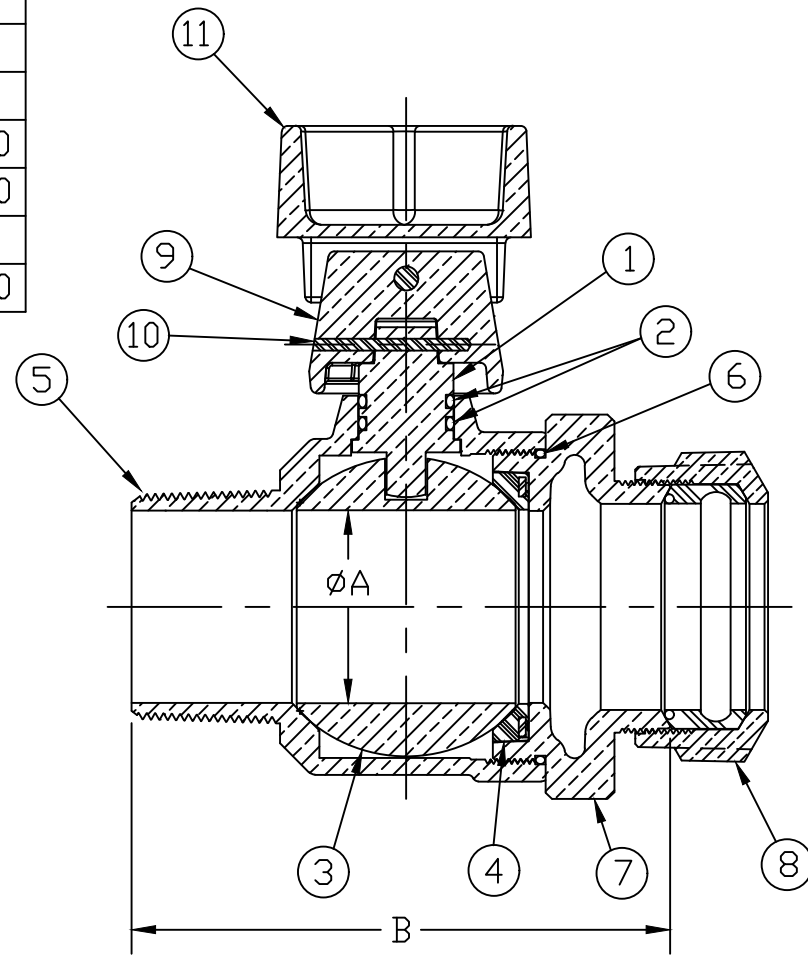


No.	DESCRIPTION	MATERIAL DESCRIPTION
1	STEM	NO LEAD BRASS ALLOY
2	O-RING	ASTM D2000 (EP)
3	BALL	NO LEAD BRASS ALLOY
4	RUBBER GASKET	ASTM D2000 (NITRILE)
5	BODY	CAST NO LEAD BRASS ALLOY
6	O-RING	ASTM D2000 (EP)
7	END PIECE	CAST NO LEAD BRASS ALLOY
8	CPLG NUT	CAST BRASS ASTM B62 ALLOY C83600
9	CAP	CAST BRASS ASTM B62 ALLOY C83600
10	ROLLPIN	ASTM A240 TYPE 302
11	OPERATING NUT	CAST BRASS ASTM B62 ALLOY C83600

SIZE	ØA	B	C	D
2"	2.00	5.61	7.01	5.00



ALL WETTED PARTS ARE NO LEAD BRASS ALLOY

FILEPATH: PROD-ENG\MUELLER\ASYSUBMITTALS\B2502839N

						DRFTR	RWB	4/20/20	MUELLER	UNLESS OTHERWISE NOTED THIRD ANGLE PROJECTION SURFACE PREPARATION: BREAK CORNER(S) ---- .000 SURFACE FINISH -- XX RMS TOLERANCE(S): LINEAR ----- ± .000 ANGULAR ----- ± 0°00'	REF. No.	SCALE NONE				
						CHKR										
						ENGR										
						MGR										
							BY	DATE	STK No:							
									MAT'L:							
									DESCR.	BALL NLB CORPORATION VALVE W/ 2" SQ. OPERATING NUT (MIP x CTS 110)	DWG NUMBER	B2502839N				
									REV	ECR	DESCRIPTION	DATE	BY	CHKR	PER EST NO: DXXXX	EST FIN WT = 0.0000 lbs

TITLE TO AND OWNERSHIP OF THIS ENGINEERING DATA REMAINS IN Mueller Co. NO USE IS TO BE MADE OF THIS DATA EXCEPT AS SPECIFICALLY AUTHORIZED BY Mueller Co. ASSENT ON THE PART OF THE RECIPIENT TO THESE CONDITIONS IS PRESUMED

DWG NUMBER
B2502839N
442-MRKTG