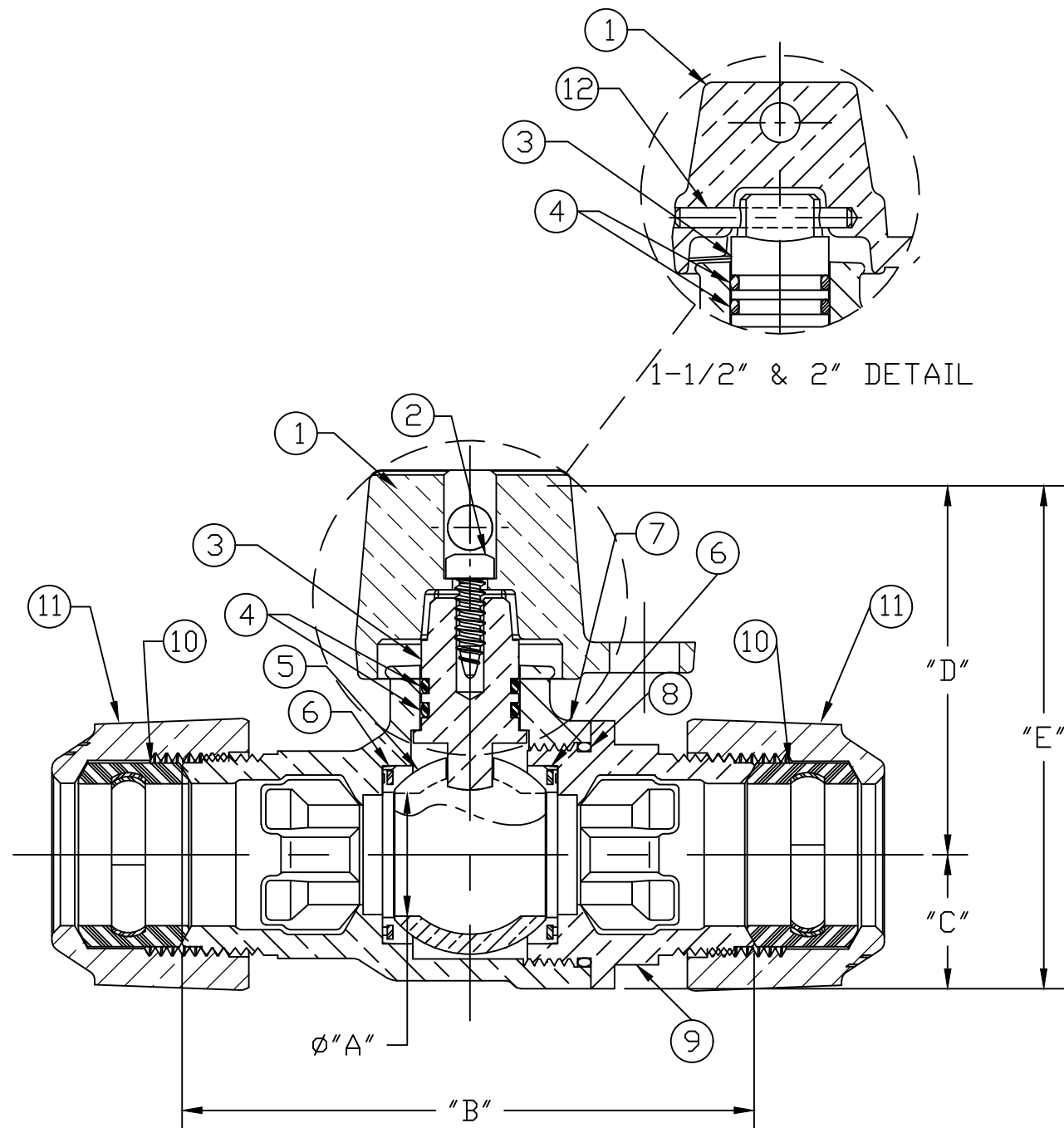


No.	DESCRIPTION	MATERIAL
1	CAP	CAST BRASS ALLOY ASTM B584
2	SCREW	18-8 STAINLESS STEEL
3	STEM	LEAD FREE BRASS ALLOY ASTM B584/B371
4	O-RING	EPDM D2000
5	BALL	LEAD FREE BRASS ALLOY ASTM B584
6	GASKET - SEAL	EPDM D2000
7	BODY	LEAD FREE BRASS ALLOY ASTM B584
8	O-RING	EPDM D2000
9	END PIECE	LEAD FREE BRASS ALLOY ASTM B584
10	CTS GSKT SUB	SBR ASTM D2000 - GSKT410ss - BAND
11	CONNX NUT	CAST BRASS ALLOY ASTM B584
1-1/2" & 2" ONLY		
12	SOLID PIN	AISI 303 STAINLESS STEEL



SIZE	ØA	B	C	D	E
3/4"R	.62	3.44	.75	2.11	2.86
3/4"	.75	4.00	.84	2.31	3.15
1"R	.75	3.59	.84	2.31	3.15
1"	1.00	5.06	1.15	2.62	3.77
1-1/2"	1.50	5.06	1.50	3.35	4.85
2"	2.00	5.50	1.82	3.90	5.72

MEETS ALL REQUIREMENTS OF AWWA C800
 ALL STEMS ARE LEAD FREE BRASS ALLOY C89833/C69300
 ALL WETTED PARTS ARE LEAD FREE BRASS ALLOY C89833/C87850
 ALL NON WETTED PARTS ARE BRASS ALLOY C83600/C87850

DWG NUMBER
B25146N

TITLE TO AND OWNERSHIP OF THIS ENGINEERING DATA REMAINS IN Mueller Co. NO USE IS TO BE MADE OF THIS DATA EXCEPT AS SPECIFICALLY AUTHORIZED BY Mueller Co. ASSENT ON THE PART OF THE RECIPIENT TO THESE CONDITIONS IS PRESUMED

DRFTR	AD	03/13/23	MUELLER	
CHKR			UNLESS OTHERWISE NOTED SURFACE PREPARATION: BREAK CORNER(S) ---- .000 SURFACE FINISH -- XX RMS TOLERANCE(S): LINEAR ----- ± .000 ANGULAR ----- ± 0°00'	THIRD ANGLE PROJECTION
ENGR				REF. No.
MGR				NONE
	BY	DATE		
STK No:				
MAT'L:				
DESCR.			INLINE BALL METER VALVE (110 CTS × 110 CTS)	
			DWG NUMBER B25146N	