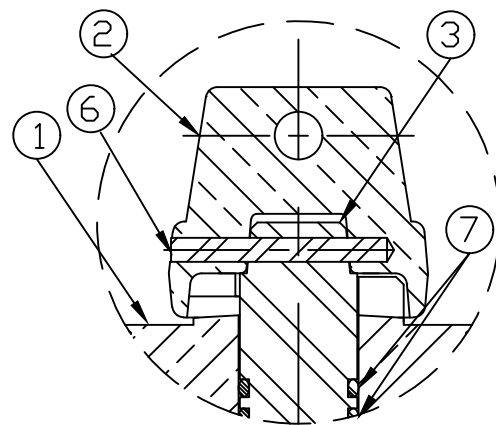


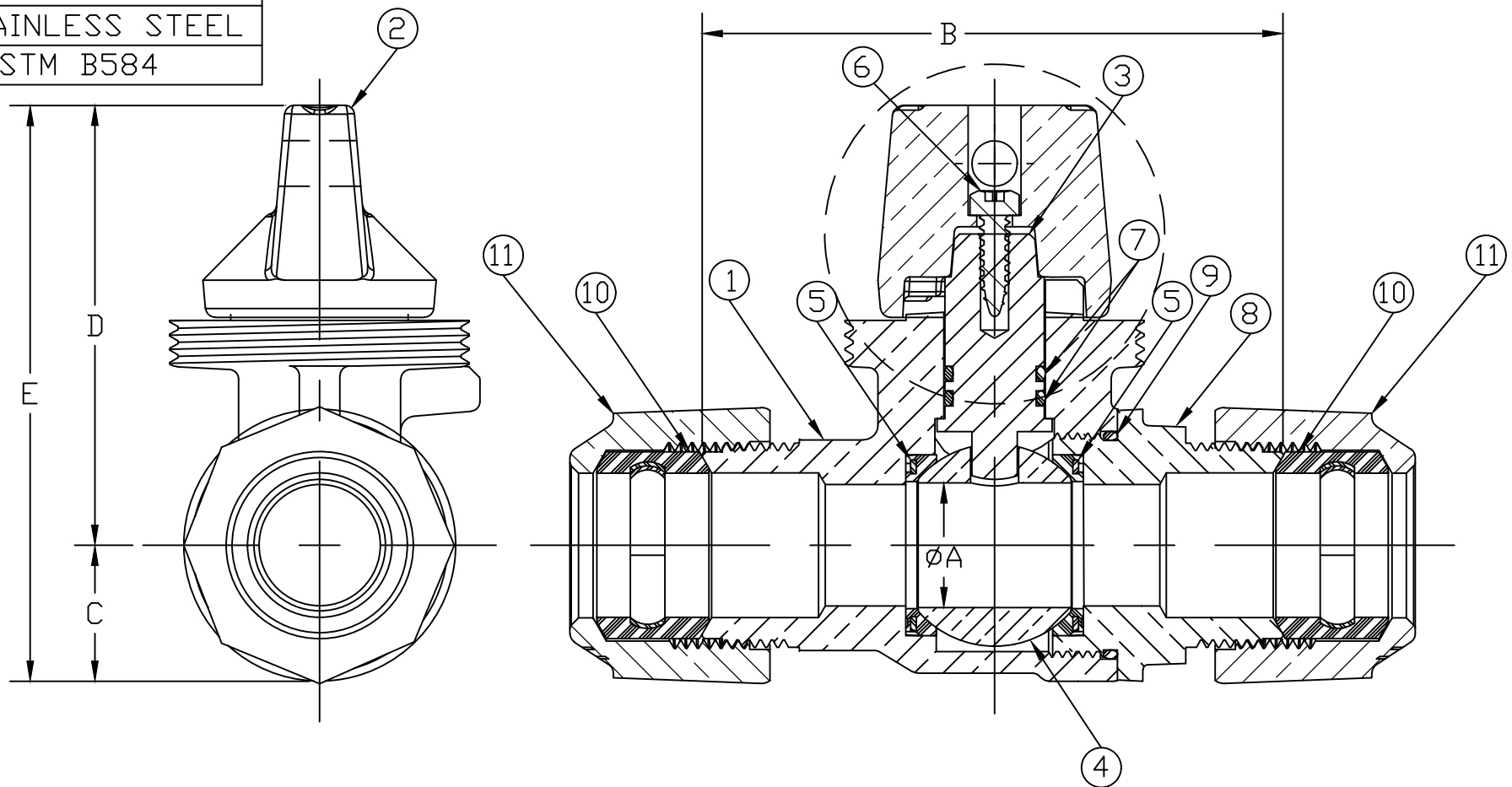
No.	DESCRIPTION	MATERIAL DESCRIPTION	No.	DESCRIPTION	MATERIAL DESCRIPTION
1	BODY	LEAD FREE BRASS ALLOY ASTM B584			1-1/2" & 2" ONLY
2	CAP	CAST BRASS ALLOY ASTM B584	12	SOLID PIN	AISI 303 STAINLESS STEEL
3	STEM	LEAD FREE BRASS ALLOY ASTM B584/B371			
4	BALL	LEAD FREE BRASS ALLOY ASTM B584			
5	GASKET	EPDM D2000			
6	SCREW	18-8 STAINLESS STEEL			
7	O-RING	EPDM D2000			
8	END PIECE	LEAD FREE BRASS ALLOY ASTM B584			
9	O-RING	EPDM D2000			
10	CTS GASKET SUB	ASTM D2000(SBR)&410 STAINLESS STEEL			
11	CONN NUT	CAST BRASS ALLOY ASTM B584			

SIZE	ØA	B	C	D	E
3/4"	.75	3.35	.84	2.62	3.47
1"	1.00	4.48	1.15	2.82	3.97
1-1/4" R	1.00	4.96	1.15	2.82	3.97
1-1/2"	1.50	5.06	1.50	3.44	4.94
2"	2.00	5.50	1.82	3.77	5.59



1-1/2" & 2" DETAIL

MEETS ALL REQUIREMENTS OF AWWA C800
 ALL STEMS ARE LEAD FREE BRASS ALLOY C89833/C69300
 ALL WETTED PARTS ARE LEAD FREE BRASS ALLOY C89833/C87850
 ALL NON WETTED PARTS ARE BRASS ALLOY C83600/C87850



DWG NUMBER
B25155N

TITLE TO AND OWNERSHIP OF THIS ENGINEERING DATA REMAINS IN Mueller Co. NO USE IS TO BE MADE OF THIS DATA EXCEPT AS SPECIFICALLY AUTHORIZED BY Mueller Co. ASSENT ON THE PART OF THE RECIPIENT TO THESE CONDITIONS IS PRESUMED

DRFTR	AD	03/13/23	MUELLER	
CHKR				
ENGR			UNLESS OTHERWISE NOTED SURFACE PREPARATION: BREAK CORNER(S) ---- .000 SURFACE FINISH --XXX RMS	THIRD ANGLE PROJECTION
MGR				REF. No.
	BY	DATE	LINEAR ----- ± .000	FULL
			ANGULAR ----- ± 0°00'	
STK No:				
MAT'L:				
DESCR.	INLINE MINN TOP BALL CURB VALVE (110CTS x 110CTS)			DWG NUMBER B25155N