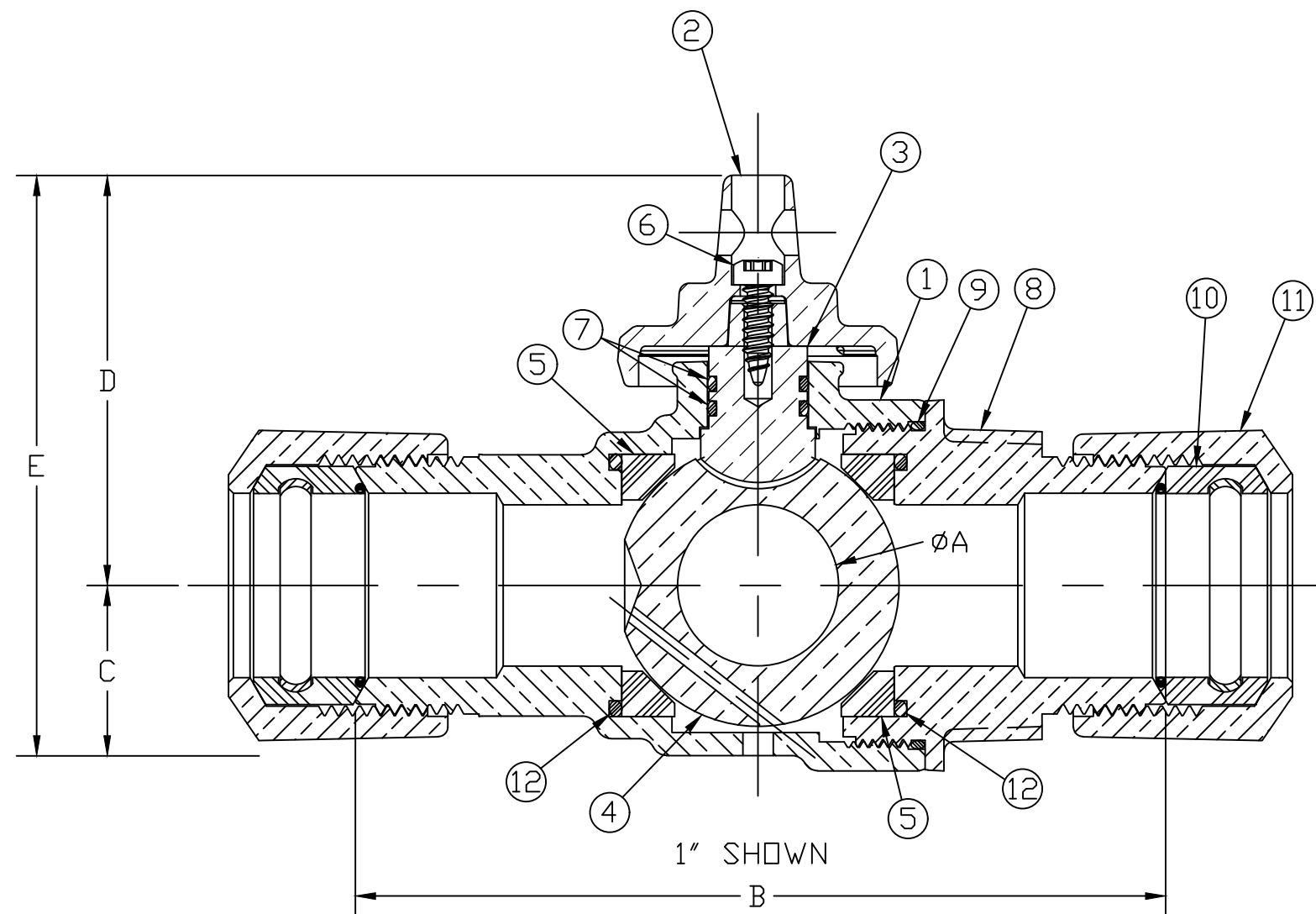


No.	DESCRIPTION	MATERIAL DESCRIPTION
1	BODY	LEAD FREE BRASS ALLOY ASTM B584
2	CAP	CAST BRASS ALLOY ASTM B584
3	STEM	LEAD FREE BRASS ALLOY ASTM B584/B371
4	BALL	LEAD FREE BRASS ALLOY ASTM B584
5	GASKET	EPDM D2000
6	SCREW	18-8 STAINLESS STEEL
7	O-RING	EPDM D2000
8	END PIECE	LEAD FREE BRASS ALLOY ASTM B584
9	O-RING	EPDM D2000
10	CTS GASKET SUB	ASTM D2000(SBR)&410 STAINLESS STEEL
11	CONN NUT	CAST BRASS ALLOY ASTM B584
12	O-RING	EPDM D2000

SIZE	ØA	B	C	D	E
3/4"	.75	3.59	.84	2.26	3.10
1"	1.00	5.02	1.05	2.46	3.52
1-1/2"	1.50	5.06	1.66	3.37	5.03
2"	2.00	5.22	1.82	3.92	5.74



MEETS ALL REQUIREMENTS OF AWWA C800
 ALL STEMS ARE LEAD FREE BRASS ALLOY C89833/C69300
 ALL WETTED PARTS ARE LEAD FREE BRASS ALLOY C89833/C87850
 ALL NON WETTED PARTS ARE BRASS ALLOY C83600/C87850

DRFTR	AD	01/26/23	MUELLER	
CHKR				
ENGR			UNLESS OTHERWISE NOTED	THIRD ANGLE PROJECTION
MGR				SURFACE PREPARATION: BREAK CORNER(S) ----- .000 SURFACE FINISH -- XX RMS
	BY	DATE	TOLERANCE(S): LINEAR ----- ± .000 ANGULAR ----- ± 0°00'	SCALE
STK No:				FULL
MAT'L:				
DESCR.	INLINE BALL CURB VALVE w/ DRAIN (110 CTS x 110 CTS)			DWG NUMBER B25219N

TITLE TO AND OWNERSHIP OF THIS ENGINEERING DATA REMAINS IN Mueller Co. NO USE IS TO BE MADE OF THIS DATA EXCEPT AS SPECIFICALLY AUTHORIZED BY Mueller Co. ASSENT ON THE PART OF THE RECIPIENT TO THESE CONDITIONS IS PRESUMED

DWG NUMBER
B25219N