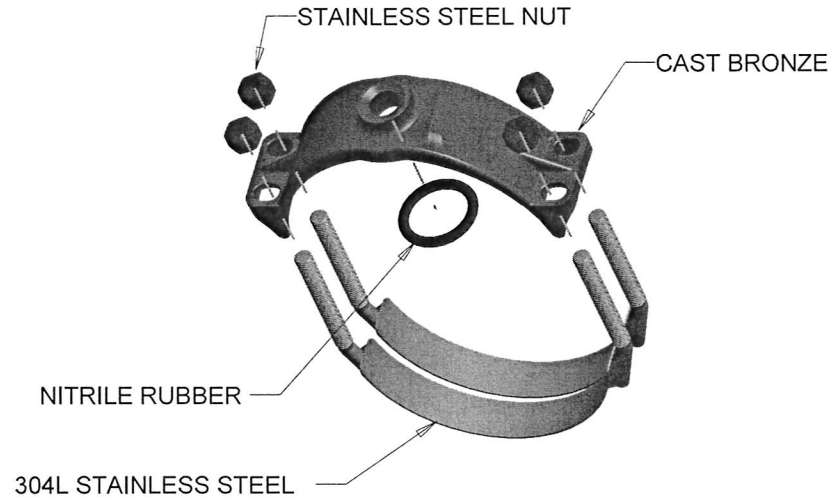
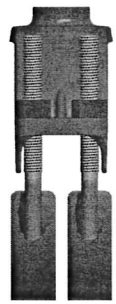
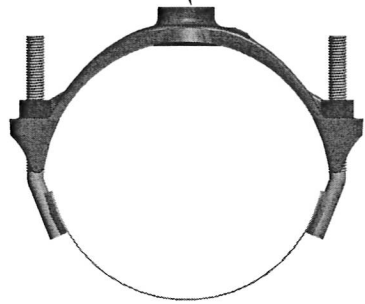


4"-12" BR2S STYLE SERVICE SADDLE W/ ALL AVAILABLE TAP OPTIONS

BR2S

SEE TABLE FOR AVAILABLE TAP SIZES



AVAILABLE TAP SIZES

PIPE SIZE	PIPE RANGE	SADDLE I.D.	TYPE	TAP THREAD*	AVAILABLE TAP SIZES							
					1/2"	5/8"	3/4"	1"	1-1/4"	1-1/2"	2"	
4"	4.74-5.32	5.24	BR2S0474	CC OR IP	075	062	075	100				
4"	4.74-5.10	4.80	BR2S0474	CC OR IP					125	150	200	
4"	5.10-5.40	5.24	BR2S0510	CC OR IP					125	150	200	
6"	6.84-7.45	7.34	BR2S0684	CC OR IP	050	062	075	100	125	150	200	
8"	8.99-9.67	9.56	BR2S0899	CC OR IP	050	062	075	100	125	150	200	
10"	11.04-12.12	12.12	BR2S1104	CC OR IP	050	062	075	100	125	150	200	
12"	13.14-14.58	14.22	BR2S1314	CC OR IP	050	062	075	100	125	150	200	

\*IP STANDS FOR AWWA I.P. THREAD (F.I.P.T.)  
CC STANDS FOR AWWA TAPER THREAD (C.C.)

DR. BY	DLG	08/06/15	UNLESS OTHERWISE NOTED		THIRD ANGLE PROJECTION		C.B. NO.
CHKR			BREAK CAST CORNER(S)---				
ENGR			BREAK MACH CORNER(S)---		PURCH.	FINISH	PATT. NO.
MGR			TOLERANCES		REF. NO.	SCALE	
MFG			UNLESS OTHERWISE NOTED				
TOOL			LINEAR	ANGULAR			
FDY			±	±	STK. NO.		
MATL: SEE DRAWING CALLOUTS							
			DESCR. 4"-12" BR2S STYLE SERVICE SADDLE W/ ALL AVAILABLE TAP OPTIONS			NUMBER BR2S	