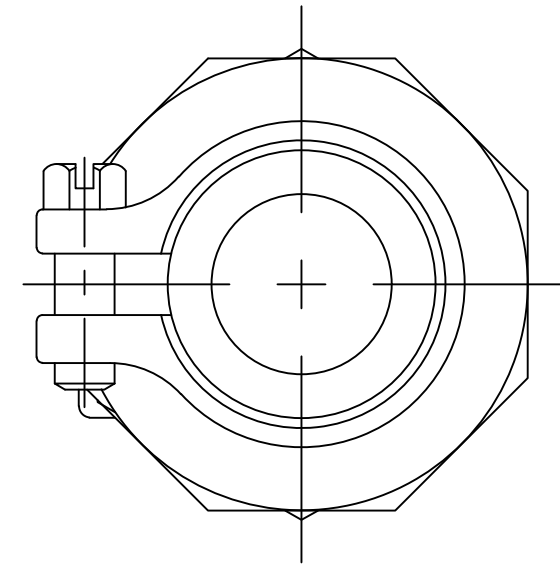
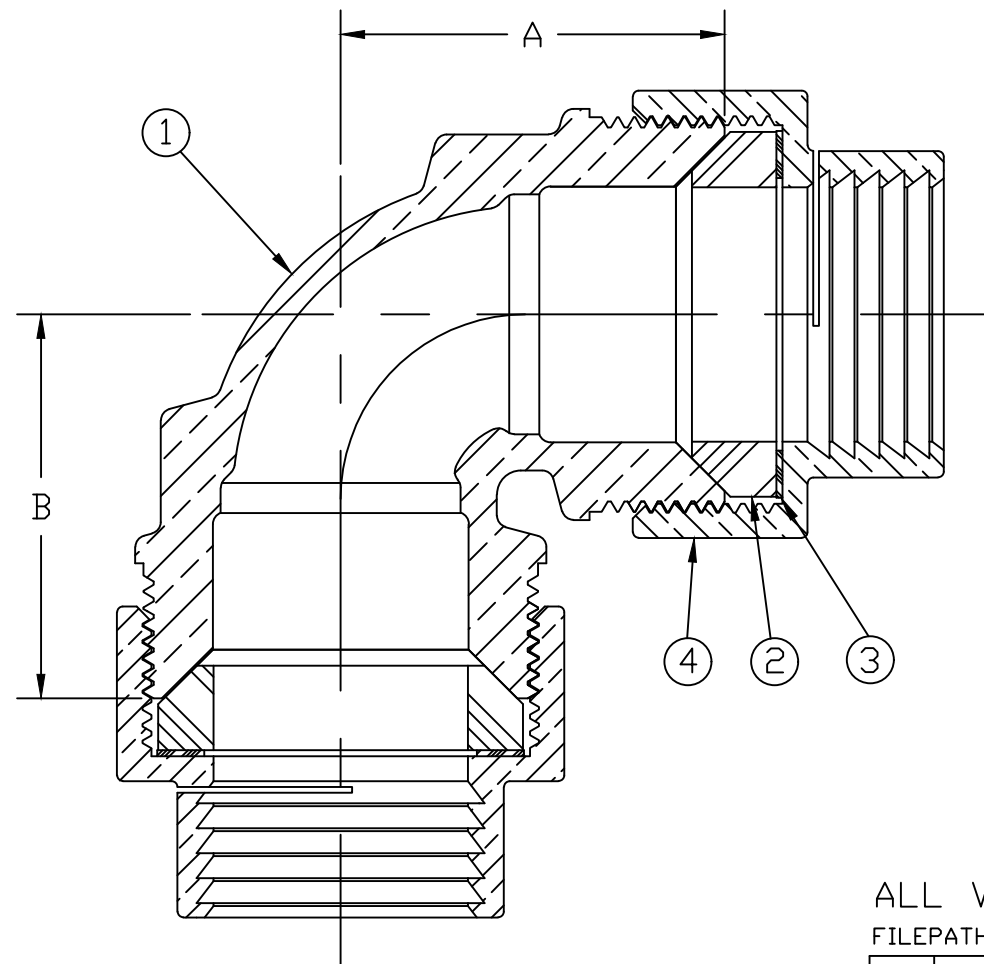


No.	DESCRIPTION	MATERIAL
1	SPUD	CAST LOW LEAD BRASS ALLOY
2	COMP GSKT	NITRILE ASTM D2000
3	WASHER	POLYPROPYLENE
4	CPLG NUT	CAST BRASS ASTM B62 ALLOY C83600

SIZE	A	B
3/4"	2.000	2.000
1"	2.000	2.000



ALL WETTED PARTS ARE LOW LEAD BRASS ALLOY

FILEPATH: PROD-ENG\MUELLER\ASYSUBMITTALS\E15547N

						DRFTR	RWB	4/3/18	Mueller Co.	UNLESS OTHERWISE NOTED THIRD ANGLE PROJECTION SURFACE PREPARATION: BREAK CORNER(S) ---- .000 SURFACE FINISH -- XX RMS TOLERANCE(S): LINEAR ----- ± .000 ANGULAR ----- ± 0°00'	REF. No.	SCALE NONE
						CHKR						
						ENGR						
						MGR						
							BY	DATE	STK No:			
									MAT'L:			
									DESCR.	90° ELL LLB SERVICE FITTING (IPS PVC PJ x IPS PVC PJ)		DWG NUMBER E15547N
									PER EST NO: DXXXX EST FIN WT = 0.0000 lbs			

DWG NUMBER
E15547N
JJ-MRKTNG

TITLE TO AND OWNERSHIP OF THIS ENGINEERING
DATA REMAINS IN Mueller Co. NO USE IS TO BE
MADE OF THIS DATA EXCEPT AS SPECIFICALLY
AUTHORIZED BY Mueller Co. ASSENT ON THE PART
OF THE RECIPIENT TO THESE CONDITIONS IS PRESUMED