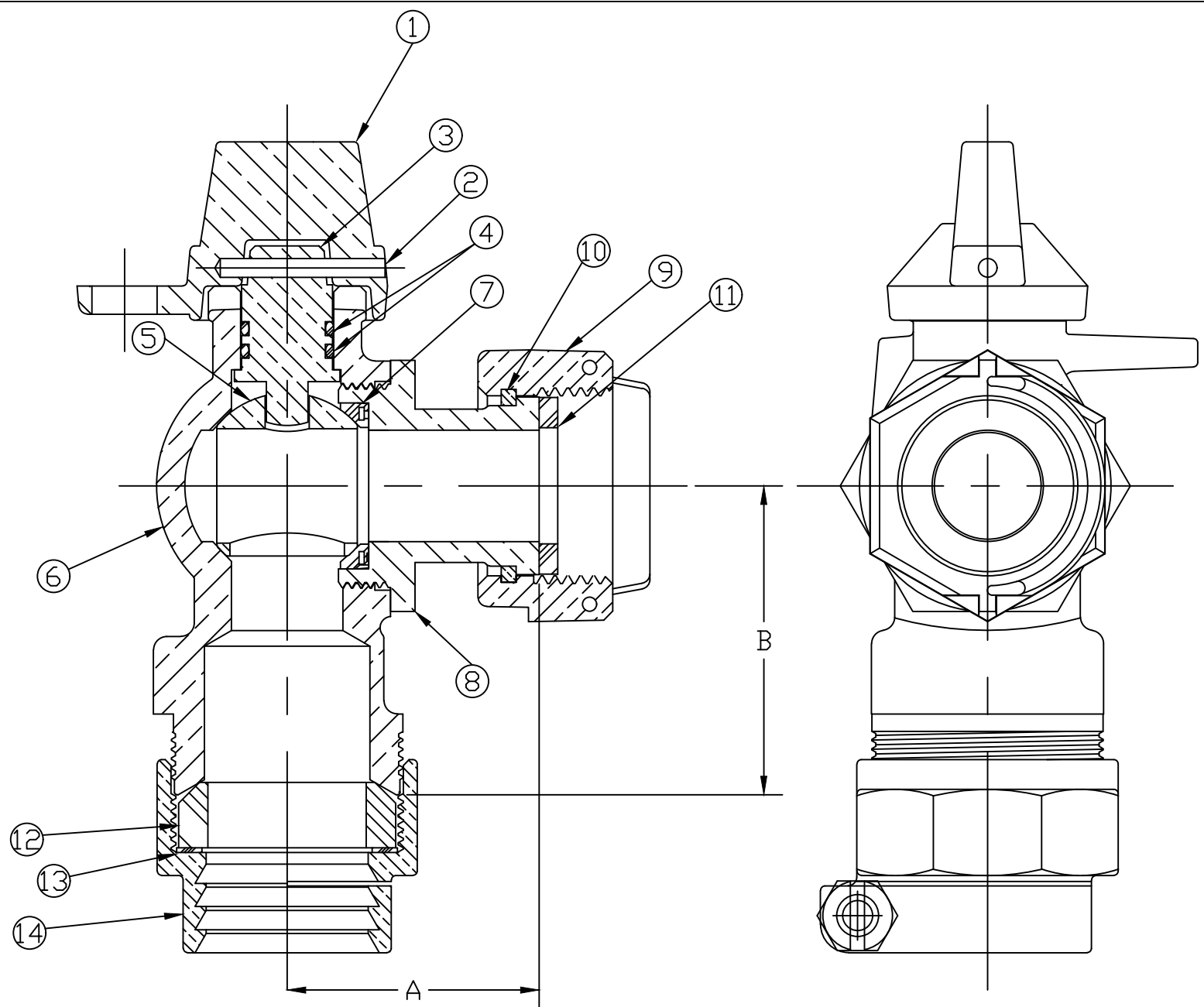


No.	DESCRIPTION	MATERIAL
1	CAP	CAST BRASS ASTM B62 ALLOY C83600
2	SOLID PIN	BRASS ASTM B16 ALLOY C36000
3	STEM	NO LEAD BRASS ALLOY
4	O-RING	EPDM ASTM D2000
5	BALL	NO LEAD BRASS ALLOY
6	BODY	CAST NO LEAD BRASS ALLOY
7	GASKET - SEAL	NITRILE ASTM D2000
8	END PIECE	CAST NO LEAD BRASS ALLOY
9	SADDLE NUT	CAST BRASS ASTM B62 ALLOY C83600
10	SNAP RING	PHOS BRONZE
11	RUBBER GASKET	NITRILE ASTM D2000
12	COMP GASKET	BUNA N ASTM D2000
13	WASHER	POLYPROPYLENE
14	CLPG NUT SUB	CAST BRASS ASTM B62 ALLOY C83600

METER CONNX SIZE	A	B
5/8x3/4 or 3/4	1.70	2.08
5/8x3/4x1	1.95	2.56
1	1.95	2.56



ALL WETTED PARTS ARE NO LEAD BRASS ALLOY

FILEPATH: PROD-ENG\MUELLER\ASTSUBMITTALS\E24259N

						DRFTR JGarvin 1/23/12	<b>MUELLER</b>	UNLESS OTHERWISE NOTED		THIRD ANGLE PROJECTION	
						CHKR		SURFACE PREPARATION: BREAK CORNER(S) ---- .000 SURFACE FINISH -- XX RMS	REF. No.	SCALE	
						ENGR			TOLERANCE(S): LINEAR ----- ± .000 ANGULAR ----- ± 0°00'		NONE
						MGR					
						BY	DATE	STK No:			
						MAT'L:		DESCR.		DWG NUMBER	
						NLB BALL ANGLE METER VALVE (PEP PJ x MTR)				E24259N	
REV	ECR	DESCRIPTION	DATE	BY	CHKR	PER EST NO: DXXXX EST FIN WT = 0.0000 lbs					

DWG NUMBER  
E24259N  
442-MRKTG

TITLE TO AND OWNERSHIP OF THIS ENGINEERING DATA REMAINS IN Mueller Co. NO USE IS TO BE MADE OF THIS DATA EXCEPT AS SPECIFICALLY AUTHORIZED BY Mueller Co. ASSENT ON THE PART OF THE RECIPIENT TO THESE CONDITIONS IS PRESUMED