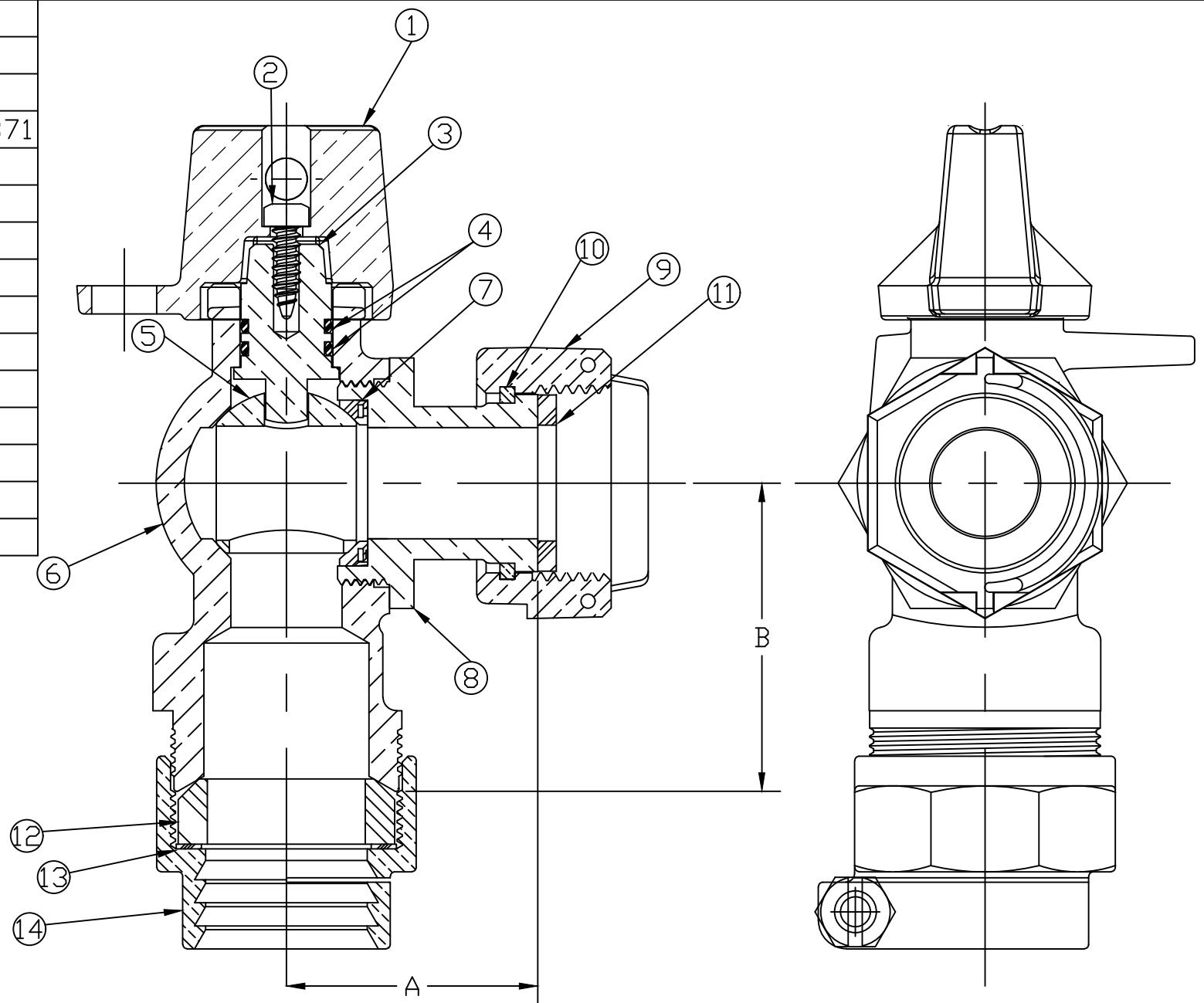


No.	DESCRIPTION	MATERIAL
1	CAP	CAST BRASS ALLOY ASTM B584
2	SCREW	18-8 STAINLESS STEEL
3	STEM	LEAD FREE BRASS ALLOY ASTM B584/B371
4	O-RING	EPDM D2000
5	BALL	LEAD FREE BRASS ALLOY ASTM B584
6	BODY	CAST NO LEAD BRASS ALLOY
7	GASKET - SEAL	EPDM D2000
8	END PIECE	LEAD FREE BRASS ALLOY ASTM B584
9	SADDLE NUT	CAST BRASS ALLOY ASTM B584
10	SNAP RING	PHOS BRONZE
11	RUBBER GASKET	NITRILE ASTM D2000
12	COMP GASKET	BUNA N ASTM D2000
13	WASHER	POLYPROPYLENE
14	CLPG NUT SUB	CAST BRASS ALLOY ASTM B584



METER CONNX SIZE	A	B
5/8x3/4 or 3/4	1.70	2.08
5/8x3/4x1	1.95	2.56
1	1.95	2.56

MEETS ALL REQUIREMENTS OF AWWA C800
 ALL STEMS ARE LEAD FREE BRASS ALLOY C89833/C69300
 ALL WETTED PARTS ARE LEAD FREE BRASS ALLOY C89833/C87850
 ALL NON WETTED PARTS ARE BRASS ALLOY C83600/C87850

DWG NUMBER
E24259N

TITLE TO AND OWNERSHIP OF THIS ENGINEERING
 DATA REMAINS IN Mueller Co. NO USE IS TO BE
 MADE OF THIS DATA EXCEPT AS SPECIFICALLY
 AUTHORIZED BY Mueller Co. ASSENT ON THE PART
 OF THE RECIPIENT TO THESE CONDITIONS IS PRESUMED

DRFTR	AD	03/13/23	MUELLER	
CHKR				
ENGR			UNLESS OTHERWISE NOTED	THIRD ANGLE PROJECTION
MGR				SURFACE PREPARATION: BREAK CORNER(S) ----- .000 SURFACE FINISH -- XX RMS
	BY	DATE	TOLERANCE(S): LINEAR ----- ± .000 ANGULAR ----- ± 0°00'	SCALE
STK No:				NONE
MAT'L:				
DESCR.	BALL ANGLE METER VALVE (PEP PJ x MTR)			DWG NUMBER E24259N