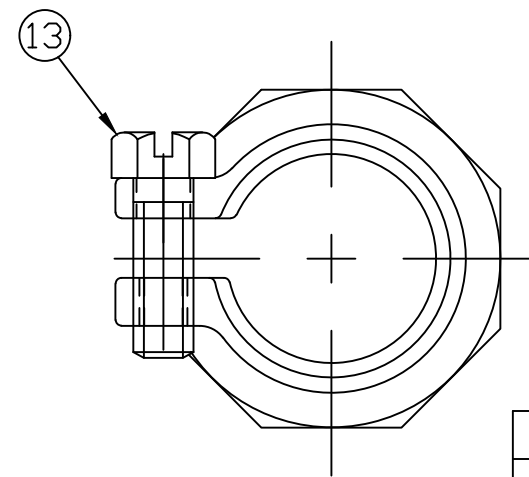
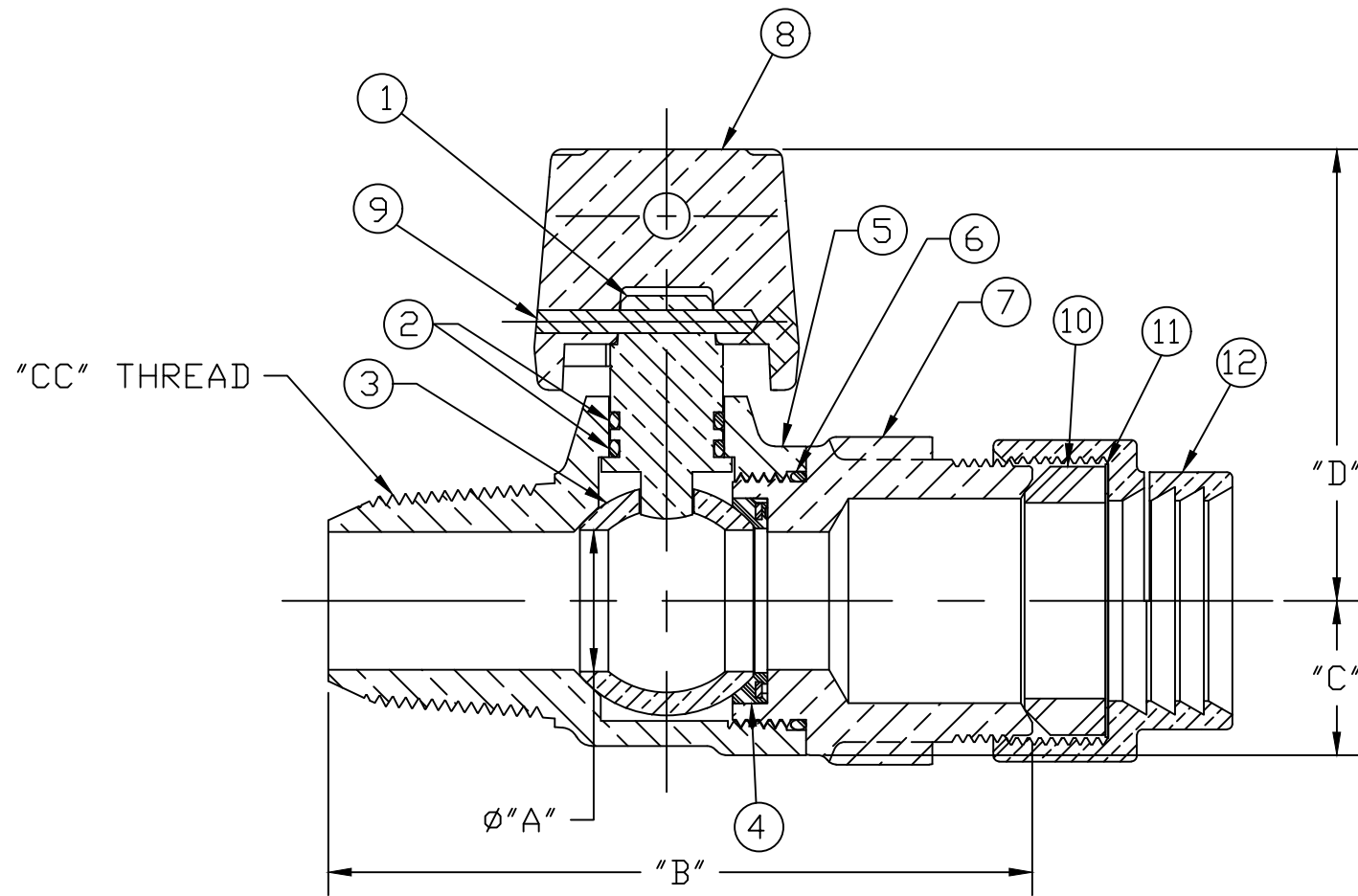


No.	DESCRIPTION	MATERIAL
1	STEM	NO LEAD BRASS ALLOY
2	O-RING	EPDM ASTM D2000
3	BALL	CAST NO LEAD BRASS ALLOY
4	GASKET - SEAL	NITRILE ASTM D2000
5	BODY	CAST NO LEAD BRASS ALLOY
6	O-RING	EPDM ASTM D2000
7	END PIECE	CAST NO LEAD BRASS ALLOY
8	CAP	CAST BRASS ASTM B62 ALLOY C83600
9	SOLID PIN	AISI 304 STAINLESS STEEL
10	COMP GASKET	RUBBER CODE R93
11	WASHER	POLYPROPYLENE
12	COUPLING NUT	CAST BRASS ASTM B62 ALLOY C83600
13	CAP SCREW	304 STAINLESS STEEL



SIZE	ØA	B	C	D
3/4"	.75	3.83	.84	1.39
1"	1.00	4.41	1.15	3.81

ALL WETTED PARTS ARE NO LEAD BRASS ALLOY

FILEPATH: PROD-ENG\MUELLER\ASYSUBMITTALS\E2500938N

						DRFTR	RWB	2/21/19	MUELLER	UNLESS OTHERWISE NOTED THIRD ANGLE PROJECTION SURFACE PREPARATION: BREAK CORNER(S) ---- .000 SURFACE FINISH -- XX RMS TOLERANCE(S): LINEAR ----- ± .000 ANGULAR ----- ± 0°00'	REF. No.	SCALE
						CHKR						
						ENGR						
						MGR						
								BY	DATE			
								STK No:				
								MAT'L:				
								DESCR.	BALL CORP NLB VALVE W/TALL CAP "CC" x PEP/PVC (IPS)		DWG NUMBER E2500938N	
								PER EST NO: DXXXX	EST FIN WT = 0.0000 lbs			

DWG NUMBER
E2500938N
442-MRKTG

TITLE TO AND OWNERSHIP OF THIS ENGINEERING
DATA REMAINS IN Mueller Co. NO USE IS TO BE
MADE OF THIS DATA EXCEPT AS SPECIFICALLY
AUTHORIZED BY Mueller Co. ASSENT ON THE PART
OF THE RECIPIENT TO THESE CONDITIONS IS PRESUMED