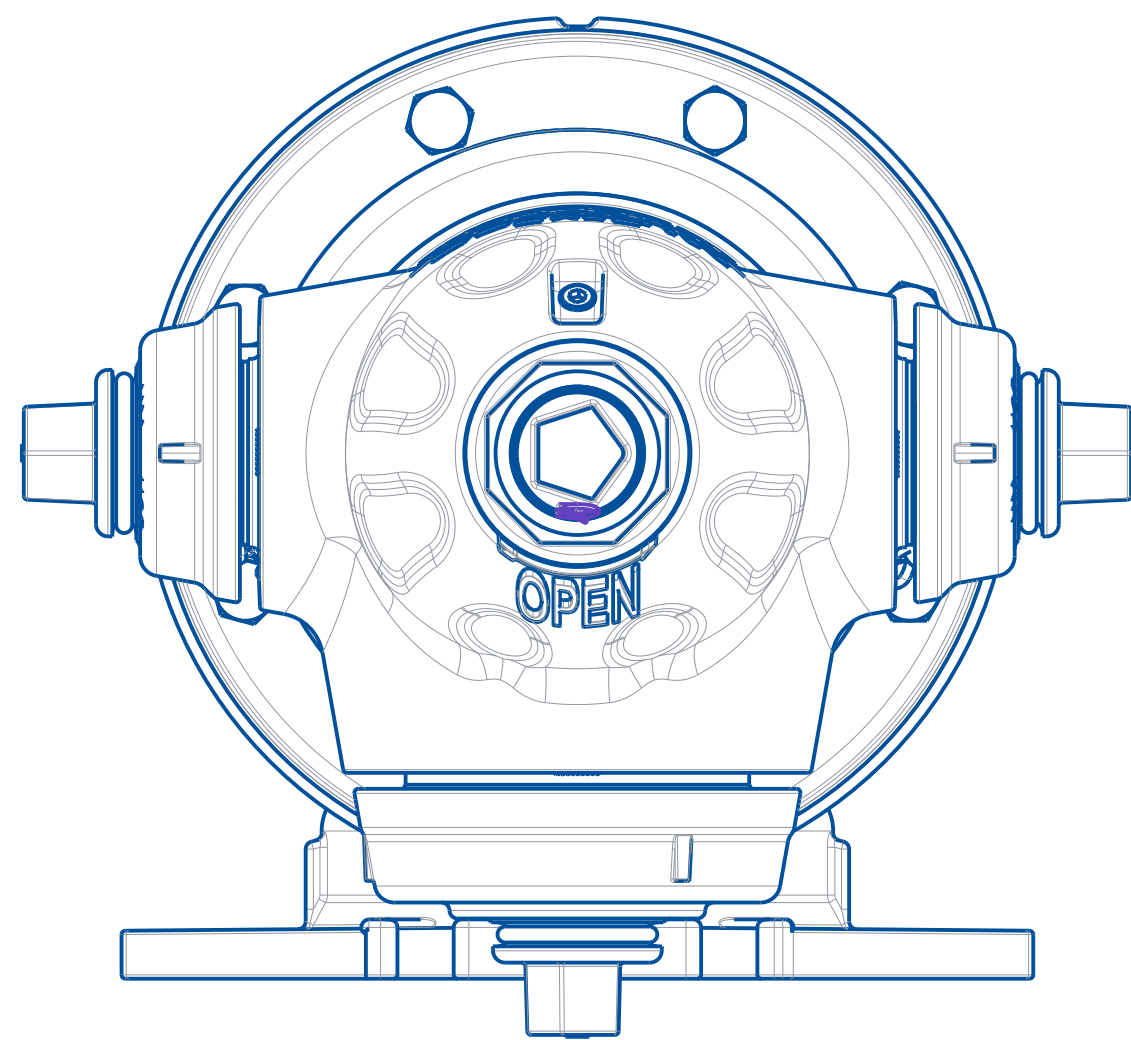


BURY 1 1/2" MIN
LONGER AT 6" INTERVALS

SCALE 0.160

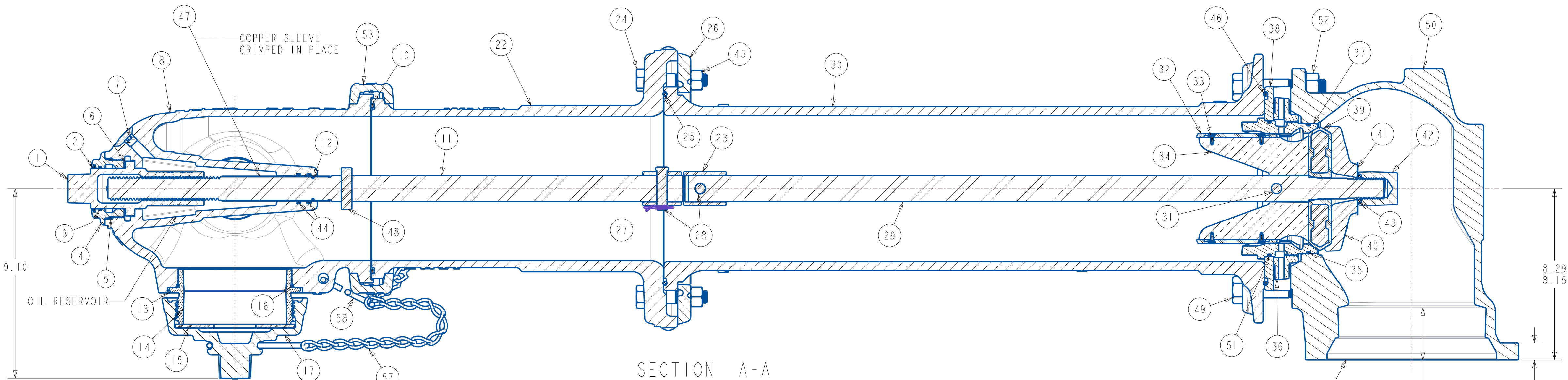


PARTS LIST						
ITEM	DESCRIPTION	REQ'D	MATERIAL	A.S.T.M.	ALTERNATE STANDARD	ADDITIONAL MATERIAL DESCRIPTION
1	OPERATING NUT	1	BRONZE	B-62	B584 C87850	ALLOY C83600
2	WIPER RING	1	RUBBER	D-2000		EPDM
3	HOLD DOWN NUT INTERNAL O-RING	1	RUBBER	D-2000		BUNA N
4	HOLD DOWN NUT	1	BRONZE	B-62	B584 C87850	ALLOY C83600
5	HOLD DOWN NUT EXTERNAL O-RING	1	RUBBER	D-2000		BUNA N
6	ANTI-FRICTION WASHER	1	CELCON			GRADE M90-04
7	OIL FILLER PLUG	1	BRASS	B-16		ALLOY 360
8	NOZZLE SECTION	1	DUCTILE IRON	A-536		65-45-12 OR 70-50-05
9	HEX BOLT .625"-11 X 2.750" LG	2	STEEL	SAE J429		GR 5 GALVANIZED
10	NOZZLE SECTION LOWER O-RING	1	RUBBER	D-2000		BUNA N
11	UPPER STEM	1	CARBON STEEL	A-576		GR 1144T
12	STEM O-RING	1	RUBBER	D-2000		BUNA N
13	NOZZLE LOCK	3	STAINLESS STEEL	A-276		305 OR 410
14	PUMPER NOZZLE	1	BISMUTH BRASS	B-584	C87850	ALLOY C89833
15	PUMPER NOZZLE CAP GASKET	1	RUBBER	D-2000		NEOPRENE
16	PUMPER NOZZLE O-RING	1	RUBBER	D-2000		BUNA N
17	PUMPER NOZZLE CAP	1	GRAY IRON	A126		CLASS B
18	HOSE NOZZLE	2	BISMUTH BRASS	B-584	C87850	ALLOY C89833
19	HOSE NOZZLE CAP GASKET	2	RUBBER	D-2000		NEOPRENE
20	HOSE NOZZLE O-RING	2	RUBBER	D-2000		BUNA N
21	HOSE NOZZLE CAP	2	GRAY IRON	A126		CLASS B
22	LOWER TRAFFIC SECTION	1	DUCTILE IRON	A-536		65-45-12 OR 70-50-05
23	STEM TRAFFIC COUPLING	1	STAINLESS STEEL	A-890		1.5% SILICON MAX.
24	TRAFFIC FLANGE BOLT .625"-11 X 3.00" LG	8	STEEL	SAE J429		GR 5 GALVANIZED
25	BOTTOM UPPER BARREL O-RING	1	RUBBER	D-2000		BUNA N
26	TRAFFIC FLANGE	1	GRAY IRON	A126		CLASS B
27	COTTOR PIN	2	STAINLESS STEEL	A-276		18-8
28	CLEVIS PIN	2	STAINLESS STEEL	A-276		300 SERIES
29	LOWER STEM	1	CARBON STEEL	A-576		GRADE 1144T

SEE CAT. RECORD FOR RESPECTIVE PARTS OR SUB. ASSEMBLIES.

NOTE: SIZE AND STYLE OF OPERATING NUT, SHOE SIZE, AND THREADING OF NOZZLES IS PER CUSTOMER SPECS.

OPEN LEFT
APPROXIMATELY 17-1/4 TURNS TO OPEN.
OP. NUT DIMENSIONS PER CUSTOMER SPECS.
STANDARD 1-1/2 PENT.



NOZZLE INFORMATION
1-PUMPER NOZZLE
(4-1/2" NST)
2-HOSE NOZZLE
(2-1/2" NST)

ITEM	DESCRIPTION	REQ'D	MATERIAL	A.S.T.M.	ALTERNATE STANDARD	ADDITIONAL MATERIAL DESCRIPTION
30	LOWER BARREL	1	DUCTILE IRON	A-536		65-45-12 OR 70-50-05
31	STEM PIN	1	STAINLESS STEEL	A-276		300 SERIES
32	DRAIN VALVE FACING	2	H.D. POLYETHYLENE			LS 5660-00
33	DRAIN VALVE FACING SCREW	4	STAINLESS STEEL	A-276		300 SERIES
34	UPPER VALVE PLATE	1	BISMUTH BRASS	B-584	C87850	ALLOY C89833
35	BOTTOM SEAT O-RING	1	RUBBER	D-2000		BUNA N
36	DRAIN RING	1	BRONZE	B-62	B584 C87850	ALLOY C83600
37	SEAT RING	1	BISMUTH BRASS	B-584	C87850	ALLOY C89833
38	DRAIN RING HOUSING	1	GRAY IRON	A126		CLASS B
39	ENCAPSULATED MAIN VALVE	1	RUBBER	D-2000		NATURAL
40	LOWER VALVE PLATE	1	GRAY IRON	A126		CLASS B
41	LOCK WASHER	1	STAINLESS STEEL	A-276		304
42	VALVE NUT	1	GRAY IRON	A-536		CLASS B
43	VALVE NUT SEAL	1	RUBBER			NATURAL
44	STEM O-RING	2	RUBBER	D-2000		BUNA N
45	TRAFFIC FLANGE/ BARREL COUPLING HEX NUT 5/8"	10	STEEL	SAE J995		GR 5 GALVANIZED
46	DRAIN RING HOUSING O-RING	1	RUBBER	D-2000		BUNA N
47	UPPER STEM SLEEVE	1	COPPER	B-75		ALLOY 122
48	UPPER STEM PIN	1	STAINLESS STEEL	A-276		303
49	SHOE HEX BOLT 3/4"-10 X 4.00" LG	6	STEEL	SAE J429		GR 5 GALVANIZED
50	SHOE	1	DUCTILE IRON	A-536		65-45-12 OR 70-50-05
51	TOP SEAT O-RING	1	RUBBER	D-2000		BUNA N
52	SHOE HEX NUT 3/4"	6	STEEL	SAE J995		GR 5 GALVANIZED
53	BARREL COUPLING	2	DUCTILE IRON	A-536		65-45-12 OR 70-50-05
* 54	PIPE GLAND	1	DUCTILE IRON	A-536		65-45-12 OR 70-50-05
* 55	MECH. JOINT GASKET	1	RUBBER	D-2000		NATURAL
* 56	T-HEAD BOLT 3/4x3.50	6	STEEL	A-242	A-588	TYPE 1
* 57	HEX NUT 3/4"	6	STEEL	A-242	A-588	TYPE 1
58	CAP CHAIN	3	STEEL			ELECTRO GALV.
59	CHAIN HOOK	1	STEEL			ELECTRO GALV.
* 60	BURY TAG	1	STAINLESS STEEL	A-240		304

* - NOT SHOWN

NOTES:
1. REFERENCE DIMENSIONS ONLY.
ACTUAL DIMENSIONS MAY VARY WITH
TIGHTNESS OF CAP.
2. SUBMITTAL DRAWING INTENDED
FOR INFORMATIONAL PURPOSES ONLY.

NO.	(MILLIMETER) INCH	TOLERANCES - MACHINING UNLESS OTHERWISE NOTED	THIRD ANGLE PROJECTION	
INITIAL RELEASE		BREAK EDGES FINISH SURFACES		
DRFT'R	JBC 6/5/18	MACH. .0067.016		
CHK'R	JBC 6/5/18		REF. NO.	SCALE
APP	JBC 6/5/18		0.333	
E.G. NUMBER	E04155	FRACTIONS ±1/64	DECIMALS 2 PL ±.025 3 PL ±.010	ANGLES ±1°
		MAT'L	STK. NO.	NUMBER
DESCR. 5-1/4" A-403HP MUELLER CENTURION HYDRANT		REVISION	C	FH-10018 SHEET 1 OF 1

5-1/4 A-403HP MUELLER CENTURION W/ONE PUMPER NOZZLE & TWO HOSE NOZZLES
350 PSI W.P. - 700 PSI TEST

REV.	DESCRIPTION	REF.	DRFT'R	CHK'R	APP	DATE
C	ADD ALTERNATE STANDARD TO ITEM#1, 4, 14, 18, 34, 36, 37, CHANGE #43 NITRILE TO NATURAL, ADD ADDITIONAL MATERIAL DESCRIPTION IN HEADING	E04618-7	ANC	SGR	JBC	9-30-20
B	MODIFY ITEM 6, 30, 45, AND 52; ADD ITEM 60 TO TABLE	E04466	JBC	ANC	JBC	4/11/19
A	UPDATE CHART: ITEM 6, 9, 17, 21, 25, 27, 28, 30, 31, 33, 41, 45, 48, 49, AND 52	E04335	JBC			9/18/18

TITLE TO AND OWNERSHIP OF THIS ENGINEERING DATA REMAINS IN MUELLER Co. NO USE IS TO BE MADE OF THIS DATA EXCEPT AS SPECIFICALLY AUTHORIZED BY MUELLER Co. ASSENT ON THE PART OF THE RECIPIENT OF THESE CONDITIONS IS PRESUMED.



