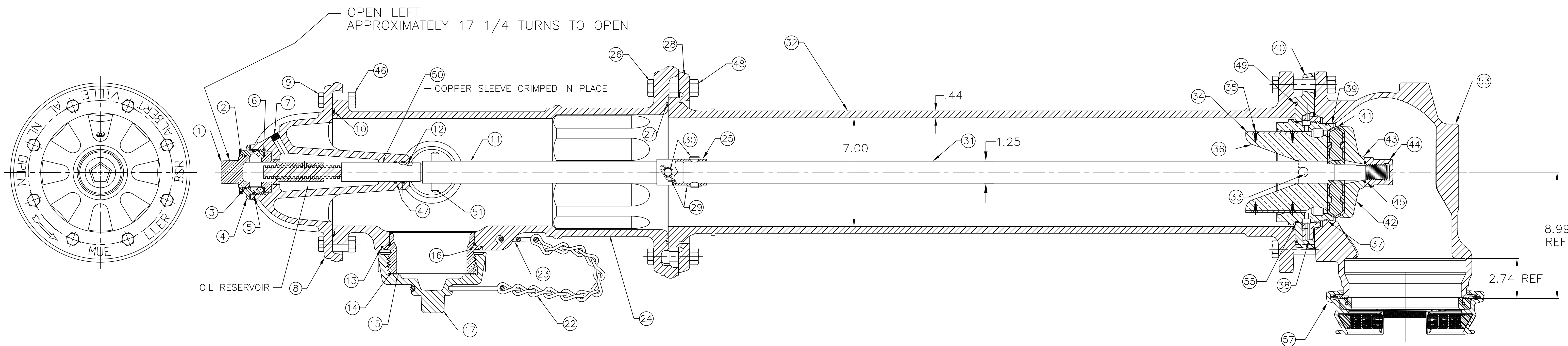


PARTS LIST						
ITEM	DESCRIPTION	REQ'D	MATERIAL	A.S.T.M.	CURRENT MATERIAL DESCRIPTION	ALTERNATE STANDARD
1	OPERATING NUT	1	BRONZE	B-62	C83600	B584 C87850 OR C87600
2	WIPER RING	1	RUBBER	D-2000	EPDM	
3	HOLD DOWN NUT O-RING	1	RUBBER	D-2000	BUNA N	
4	HOLD DOWN NUT	1	BRONZE	B-62	C83600	B584 C87850 OR C87600
5	BONNET O-RING	1	RUBBER	D-2000	BUNA N	
6	ANTI-FRICTION WASHER	1	CELCON		GRADE M90-04	
7	OIL FILLER PLUG	1	BRASS	B-16	ALLOY 360	
8	BONNET	1	CAST IRON	A-126	CLASS B	
9	HEX BOLT	8	STEEL	J429/A307	ELECTRO GALV.	
10	TOP UPPER BARREL O-RING	1	RUBBER	D-2000	BUNA N	
11	UPPER STEM	1	CARBON STEEL	A-576	GR 1144T	
12	STEM O-RING	1	RUBBER	D-2000	BUNA N	
13	NOZZLE LOCK	3	STAINLESS STEEL	A-276	305 OR 410	
14	PUMPER NOZZLE	1	BRASS	B-584	C89833	B584 C87850 OR C87600
15	PUMPER NOZZLE CAP GASKET	1	RUBBER	D-2000	NEOPRENE	
16	PUMPER NOZZLE O-RING	1	RUBBER	D-2000	BUNA N	
17	PUMPER NOZZLE CAP	1	CAST IRON	A-126	CLASS B	
18	HOSE NOZZLE	2	BRASS	B-584	C89833	B584 C87850 OR C87600
19	HOSE NOZZLE CAP GASKET	2	RUBBER	D-2000	NEOPRENE	
20	HOSE NOZZLE O-RING	2	RUBBER	D-2000	BUNA N	
21	HOSE NOZZLE CAP	2	CAST IRON	A-126	CLASS B	
22	CAP CHAIN	3	STEEL		ELECTRO GALV.	
23	CHAIN HOOK	1	STEEL		ELECTRO GALV.	
24	UPPER BARREL	1	CAST IRON	A-126	CLASS B	
25	TRAFFIC STEM COUPLING	1	STAINLESS STEEL	A-890	1.5% SILICON MAX.	
26	TRAFFIC FLANGE BOLT	8	STEEL	J429/A307	ELECTRO GALV.	
27	BOTTOM UPPER BARREL O-RING	1	RUBBER	D-2000	BUNA N	
28	TRAFFIC FLANGE	1	CAST IRON	A-126	CLASS B	
29	REUSABLE COTTER PIN	2	STAINLESS STEEL		18-8	
30	CLEVIS PIN	2	STAINLESS STEEL	A-276	300 SERIES	

SEE CAT. RECORD FOR RESPECTIVE PARTS OR SUB. ASS'YS

ITEM	DESCRIPTION	REQ'D	MATERIAL	A.S.T.M.	CURRENT MATERIAL DESCRIPTION	ALTERNATE STANDARD
31	LOWER STEM	1	CARBON STEEL	A-576	GRADE 1144T	
32	LOWER BARREL	1	CAST IRON	A-126	CLASS B	
33	STEM PIN	1	STAINLESS STEEL	A-276	300 SERIES	
34	DRAIN VALVE FACING	2	H.D. POLYETHYLENE		LS 5660-00	
35	DRAIN VALVE FACING SCREW	4	STAINLESS STEEL	A-276	300 SERIES	
36	UPPER VALVE PLATE	1	BRASS	B-584	C89833	B584 C87850 OR C87600
37	BOTTOM SEAT O-RING	1	RUBBER	D-2000	BUNA N	
38	DRAIN RING	1	BRONZE	B-62	C83600	B584 C87850 OR C87600
39	SEAT RING	1	BRASS	B-584	C89833	B584 C87850 OR C87600
40	DRAIN RING HOUSING	1	CAST IRON	A-126	CLASS B	
41	MAIN VALVE	1	RUBBER	D-2000	NATURAL	
42	LOWER VALVE PLATE	1	CAST IRON	A-126	CLASS B	
43	LOCK WASHER	1	STAINLESS STEEL	A-276	304	
44	VALVE NUT	1	CAST IRON	A-126	CLASS B	
45	VALVE NUT SEAL	1	RUBBER		NATURAL	
46	HEX NUT	8	STEEL	A563	GRADE B	
47	STEM O-RING	2	RUBBER	D-2000	BUNA N	
48	TRAFFIC FLANGE NUT	8	STEEL	A563	ELECTRO GALV.	
49	DRAIN RING HOUSING O-RING	1	RUBBER	D-2000	BUNA N	
50	SLEEVE	1	COPPER	B-75	ALLOY 122	
51	UPPER STEM PIN	1	STAINLESS STEEL	A-276	303	
52	HEX BOLT	6	STEEL	J429/A307	ELECTRO GALV.	
53	HYNAMX SHOE	1	DUCTILE IRON	A536	65-45-12	GR 70-50-05
54	BURY TAG	1	STAINLESS STEEL	A-240	304	
55	TOP SEAT O-RING	1	RUBBER	D-2000	BUNA N	
56	HEX NUT	6	STEEL	SAE J995	ELECTRO GALV.	
57	HYNAMX GRIP RESTRAINT	1	SEE PRODUCT	SEE PRODUCT	SPEC	

* NOT SHOWN



4-1/2" A421 & 5-1/4" A423 SUPER CENTURION "250"
 W/TWO HOSE NOZZLES & ONE PUMPER NOZZLE
 250 PSI W.P. - 500 PSI TEST, 2019 STYLE.
 SEE PRODUCT SPECIFICATION FOR PRESSURE RATING
 OF THE RESTRAINT PER APPLICATION.

AVC (MILLIMETER) INCH	TOLERANCES - MACHINING UNLESS OTHERWISE NOTED	THIRD ANGLE PROJECTION
INITIAL RELEASE	BREAK EDGES FINISH SURFACES	PURCH. FINISH
DRFTR ANC 10-23-19	MACH. .006/.016	125
CHKR JBC 10-24-19	FRACTIONS ±1/64	DECIMALS 2 PL ±.025 3 PL ±.016
APP JBC 10-24-19	ANGLES ±1°	REF. NO. SCALE STK. NO. N.T.S.
E.O. NUMBER E04620	MATL. SEE TABLE	REVISION NUMBER F FH-10106
DESCR. SUPER CENTURION "250" WITH HYNAMX GRIP RESTRAINT		SHEET 1 OF 1

MUELLER

NUMBER
FH-10106

SHEET 1 OF 1

DWG. FH 10106

REV.	DESCRIPTION	REF.	DRFTR	CHKR	APP	DATE
F	ADD ALTERNATIVE BRASS C87850 & C87600	E05131	MRG	ANC	JBC	9-12-22
E	REMOVE THE OPTIONAL VERTICAL SHOE WITH HYNAMX GRIP RESTRAINT	E04981	ANC	JBC	JBC	11-16-21
D	UPDATE WORDING IN TITLEBLOCK DESCRIPTION AND UNDER VERTICAL SHOE VIEW	E04797	ANC	JBC	JBC	10-26-20
C	CHANGE RIGHT END RING TO A LEFT END RING, ADD DIMS TO SHOES	E04789	ANC	JBC	JBC	10-13-20
B	GRIPPER DESIGN CHANGE	E04772	ANC	JBC	JBC	9-1-20
A	ADD OPTIONAL VERTICAL FLANGE SHOE VIEW	E04631	ANC	JBC	JBC	11-6-19