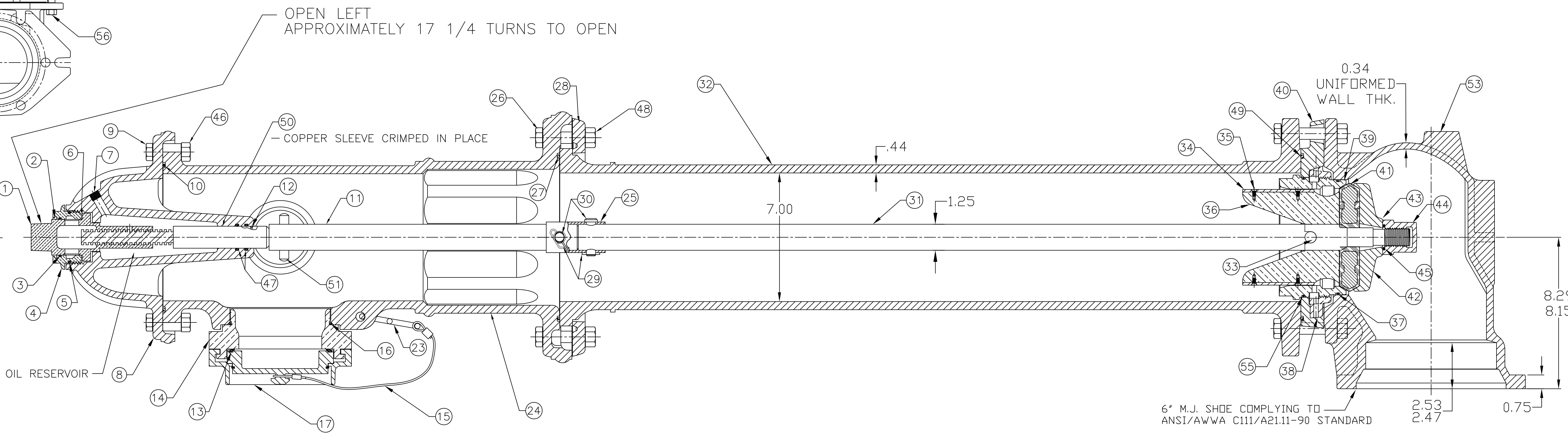
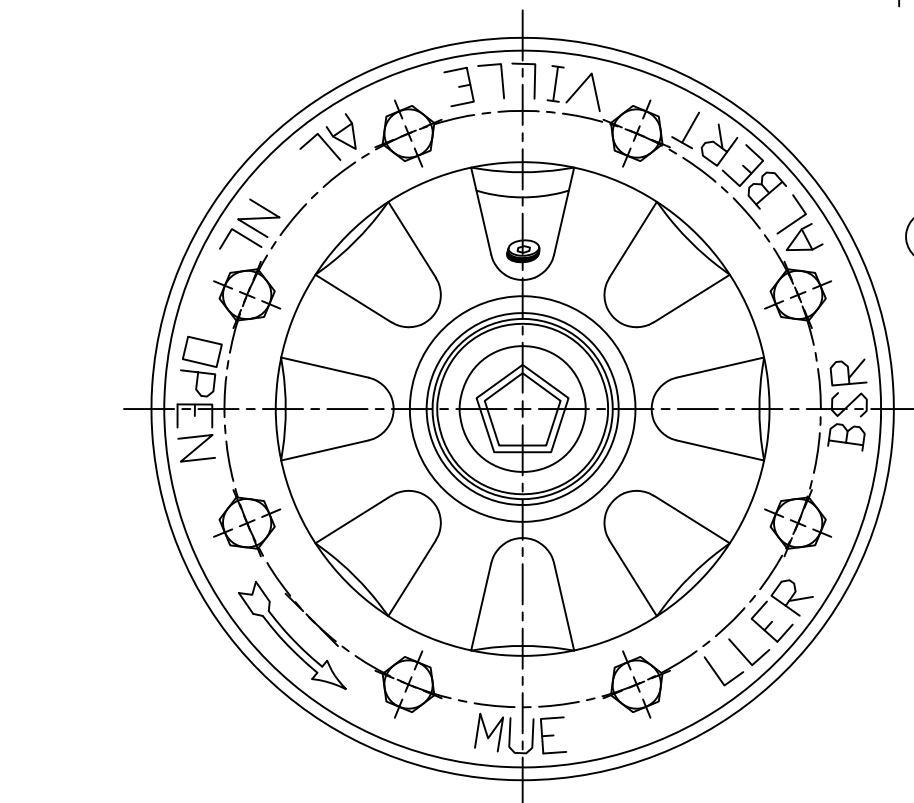


PARTS LIST						
ITEM	DESCRIPTION	REQ'D	MATERIAL	A.S.T.M.	CURRENT MATERIAL DESCRIPTION	ALTERNATE STANDARD <sup>ⓐ</sup>
1	OPERATING NUT	1	BRONZE	B-62	ALLOY C83600	B584 C87850 OR C87600
2	WIPER RING	1	RUBBER	D-2000	EPDM	
3	HOLD DOWN NUT O-RING	1	RUBBER	D-2000	BUNA N	
4	HOLD DOWN NUT	1	BRONZE	B-62	ALLOY C83600	B584 C87850 OR C87600
5	BONNET O-RING	1	RUBBER	D-2000	BUNA N	
6	ANTI-FRICTION WASHER	1	CELCON		GRADE M90-04	
7	OIL FILLER PLUG	1	BRASS	B-16	ALLOY 360	
8	BONNET	1	CAST IRON	A-126	CLASS B	
9	BONNET HEX CAP SCREW	8	STEEL	SAE J429	GR 5 GALVANIZED	
10	TOP UPPER BARREL O-RING	1	RUBBER	D-2000	BUNA N	
11	UPPER STEM	1	CARBON STEEL	A-576	GR 1144T	
12	STEM O-RING	1	RUBBER	D-2000	BUNA N	
13	GASKET	1	RUBBER	D-2000		
14	5" STORZ PUMPER NOZZLE	1	BRASS	B-763	C99500	
15	STORZ CAP CABLE	1	STAINLESS STEEL			
16	PUMPER NOZZLE O-RING	1	RUBBER	D-2000	BUNA N	
17	5" STORZ PUMPER CAP	1	ALUMINUM			
18	HOSE NOZZLE	2	BRASS	B-584	ALLOY C89833	B584 C87850 OR C87600
19	HOSE NOZZLE CAP GASKET	2	RUBBER	D-2000	NEOPRENE	
20	HOSE NOZZLE O-RING	2	RUBBER	D-2000	BUNA N	
21	HOSE NOZZLE CAP	2	CAST IRON	A-126	CLASS B	
22	CAP CHAIN	2	STEEL		ELECTRO GALV.	
23	CHAIN HOOK	1	STEEL		ELECTRO GALV.	
24	UPPER BARREL	1	CAST IRON	A-126	CLASS B	
25	TRAFFIC STEM COUPLING	1	STAINLESS STEEL	A-890	1.5% SILICON MAX.	
26	TRAFFIC FLANGE HEX CAP SCREW	8	STEEL	SAE J429	GR 5 GALVANIZED	
27	BOTTOM UPPER BARREL O-RING	1	RUBBER	D-2000	BUNA N	
28	TRAFFIC FLANGE	1	CAST IRON	A-126	CLASS B	
29	REUSABLE COTTER PIN	2	STAINLESS STEEL		18-8	
30	CLEVIS PIN	2	STAINLESS STEEL	A-276	300 SERIES	

SEE CAT. RECORD FOR RESPECTIVE PARTS OR SUB. ASS'YS

ITEM	DESCRIPTION	REQ'D	MATERIAL	A.S.T.M.	CURRENT MATERIAL DESCRIPTION	ALTERNATE STANDARD <sup>ⓐ</sup>
31	LOWER STEM	1	CARBON STEEL	A-576	GRADE 1144T	
32	LOWER BARREL	1	CAST IRON	A-126	CLASS B	
33	STEM PIN	1	STAINLESS STEEL	A-276	300 SERIES	
34	DRAIN VALVE FACING	2	H.D. POLYETHYLENE		LS 5660-00	
35	DRAIN VALVE FACING SCREW	4	STAINLESS STEEL	A-276	300 SERIES	
36	UPPER VALVE PLATE	1	BRASS	B-584	ALLOY C89833	B584 C87850 OR C87600
37	BOTTOM SEAT O-RING	1	RUBBER	D-2000	BUNA N	
38	DRAIN RING	1	BRONZE	B-62	ALLOY C83600	B584 C87850 OR C87600
39	SEAT RING	1	BRASS	B-584	ALLOY C89833	B584 C87850 OR C87600
40	DRAIN RING HOUSING	1	CAST IRON	A-126	CLASS B	
41	ENCAPSULATED MAIN VALVE	1	RUBBER	D-2000	NATURAL	
42	LOWER VALVE PLATE	1	CAST IRON	A-126	CLASS B	
43	LOCK WASHER	1	STAINLESS STEEL	A-276	304	
44	VALVE NUT	1	CAST IRON	A-126	CLASS B	
45	VALVE NUT SEAL	1	RUBBER		NATURAL	
46	BONNET HEX NUT	8	STEEL	SAE J995	GR 8 GALVANIZED	
47	STEM O-RING	2	RUBBER	D-2000	BUNA N	
48	TRAFFIC FLANGE HEX NUT	8	STEEL	SAE J995	GR 5 GALVANIZED	
49	DRAIN RING HOUSING O-RING	1	RUBBER	D-2000	BUNA N	
50	SLEEVE	1	COPPER	B-75	ALLOY 122	
51	UPPER STEM PIN	1	STAINLESS STEEL	A-276	303	
52	SHOE HEX CAP SCREW	6	STEEL	SAE J429	GR 5 GALVANIZED	
53	SHOE	1	DUCTILE IRON	A536	GR 65-45-12	GR 70-50-05
* 54	BURY TAG	1	STAINLESS STEEL	A-240	304	
55	TOP SEAT O-RING	1	RUBBER	D-2000	BUNA N	
56	SHOE HEX NUT	6	STEEL	SAE J995	GR 5 GALVANIZED	
57	NOZZLE LOCK	2	STAINLESS STEEL	A-276	305 OR 410	

\* NOT SHOWN



4 1/2" A421 & 5 1/4" A423 SUPER CENTURION "250" W/ TWO HOSE NOZZLES & ONE STORZ NOZZLE - 250 P.S.I. W.P.- 500 P.S.I. TEST, 2019 STYLE.

REV.	DESCRIPTION	REF.	DRFTR	CHK'R	APP	DATE
G	ADD ALTERNATE STANDARD	E05200	ANC			2-3-23
F	UPDATE TO 2019 HYDRANT REFRESH	E04766	ANC	JBC	JBC	8-25-20
E	REVISE ITEMS 9, 26, 46, 48, 52, & 53		ANC			1-20-16
D	REVISE ITEMS 1, 4, 18, 36, 38, & 39		JMG			11-8-13
C	REVISE MATERIAL ON ITEM #14		ANC			1-21-13
B	REVISE ITEMS #11 & 31		MRG			2-27-12
A	REVISE ITEMS # 11 & 31		ANC			11-20-09

(MILLIMETER) INCH INITIAL RELEASE DRFTR SMC 5-18-06 CHK'R JEH 5-18-06 APP JEH 5-18-06 E.O. NUMBER	<b>TOLERANCES - MACHINING</b> UNLESS OTHERWISE NOTED BREAK EDGES FINISH SURFACES MACH. .006/.016 125 FRACTIONS ±1/64 DECIMALS 2 PL ±.025 3 PL ±	THIRD ANGLE PROJECTION PURCH. FINISH REF. NO. SCALE N.T.S. STK. NO.
<b>MUELLER</b> MAT'L SEE TABLE DESCR. 4 1/2" A421 & 5 1/4" A423 SUPER CENTURION W/ MJ SHOE ASSEMBLY & STORZ CONNECTION		REVISION G NUMBER FH 133 SHEET 1 OF 1

DWG. FH 133