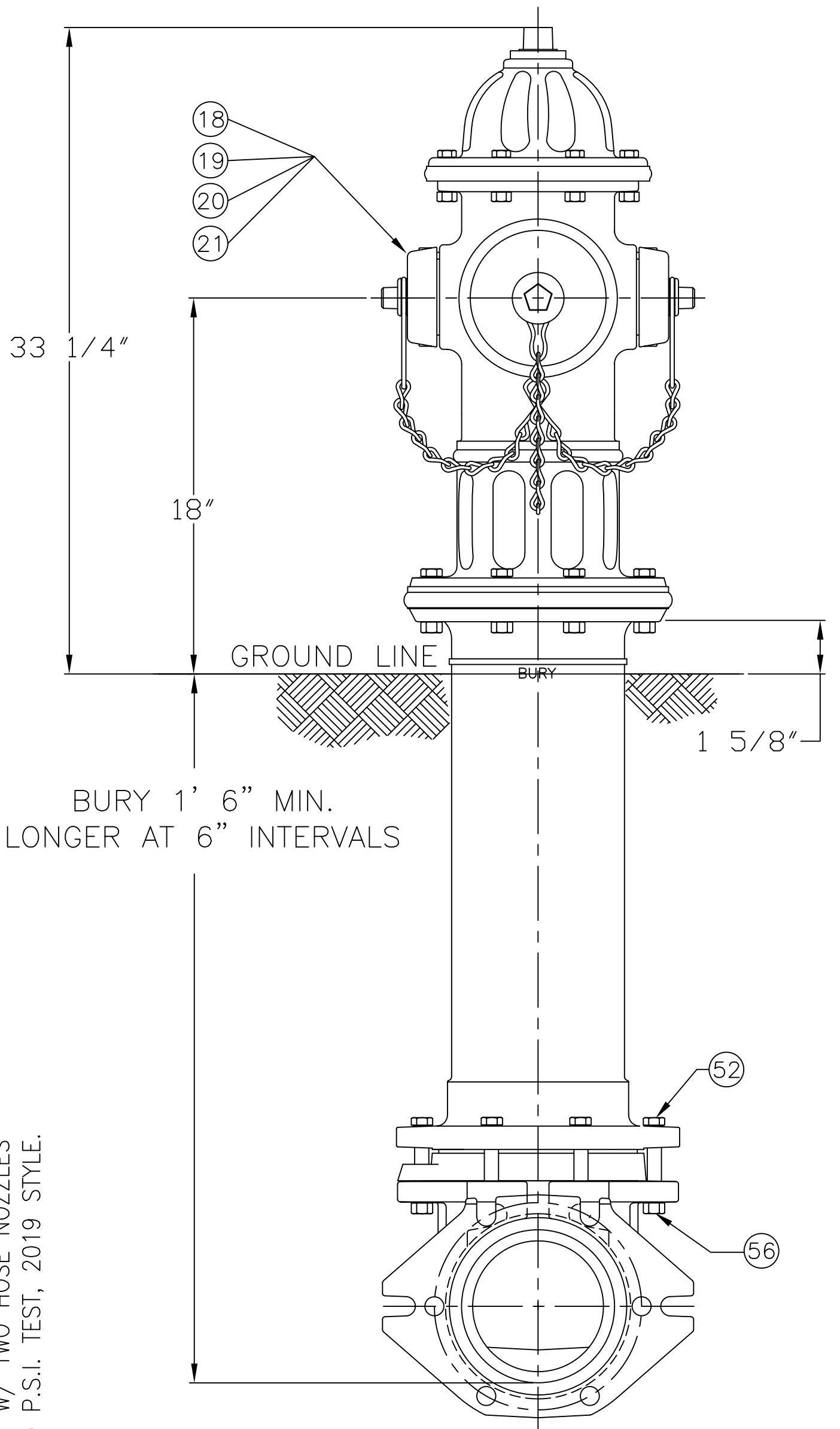


5 1/4" A463 CENTURION STOP IN BONNET "250" W/ TWO HOSE NOZZLES & ONE PUMPER NOZZLE - 250 P.S.I. W.P. - 500 P.S.I. TEST, 2019 STYLE.

DWG. FH 155

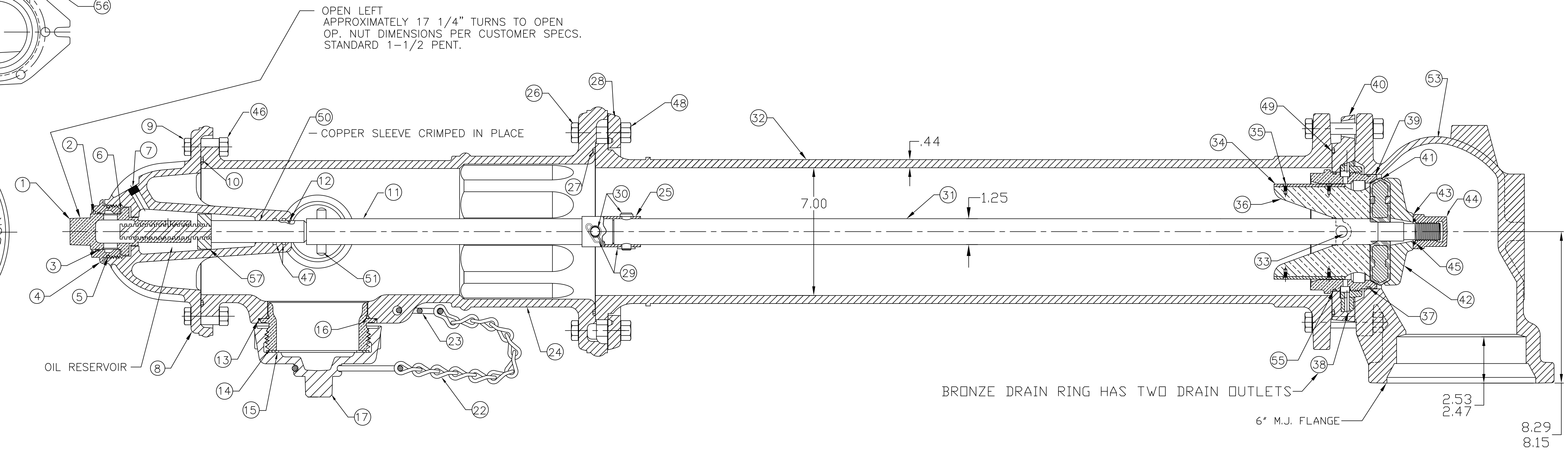


PARTS LIST						
ITEM	DESCRIPTION	REQ'D	MATERIAL	A.S.T.M.	CURRENT MATERIAL DESCRIPTION (C)	ALTERNATE STANDARD (C)
1	OPERATING NUT	1	BRONZE	B-62	ALLOY C83600	B584 C87850 OR C87600
2	WIPER RING	1	RUBBER	D-2000	EPDM	
3	HOLD DOWN NUT O-RING	1	RUBBER	D-2000	BUNA N	
4	HOLD DOWN NUT	1	BRONZE	B-62	ALLOY C83600	B584 C87850 OR C87600
5	BONNET O-RING	1	RUBBER	D-2000	BUNA N	
6	ANTI-FRICTION WASHER	1	CELCON		GRADE M90-04	
7	OIL FILLER PLUG	1	BRASS	B-16	ALLOY 360	
8	BONNET	1	CAST IRON	A-126	CLASS B	
9	BONNET HEX CAP SCREW	8	STEEL	SAE J429	GR 5 GALVANIZED	
10	TOP UPPER BARREL O-RING	1	RUBBER	D-2000	BUNA N	
11	UPPER STEM	1	CARBON STEEL	A-576	GR 1144T	
12	STEM O-RING	1	RUBBER	D-2000	BUNA N	
13	NOZZLE LOCK	3	STAINLESS STEEL	A-276	305 OR 410	
14	PUMPER NOZZLE	1	BRASS	B-584	ALLOY C89833	B584 C87850 OR C87600
15	PUMPER NOZZLE CAP GASKET	1	RUBBER	D-2000	NEOPRENE	
16	PUMPER NOZZLE O-RING	1	RUBBER	D-2000	BUNA N	
17	PUMPER NOZZLE CAP	1	CAST IRON	A-126	CLASS B	
18	HOSE NOZZLE	2	BRASS	B-584	ALLOY C89833	B584 C87850 OR C87600
19	HOSE NOZZLE CAP GASKET	2	RUBBER	D-2000	NEOPRENE	
20	HOSE NOZZLE O-RING	2	RUBBER	D-2000	BUNA N	
21	HOSE NOZZLE CAP	2	CAST IRON	A-126	CLASS B	
22	CAP CHAIN	3	STEEL		ELECTRO GALV.	
23	CHAIN HOOK	1	STEEL		ELECTRO GALV.	
24	UPPER BARREL	1	CAST IRON	A-126	CLASS B	
25	TRAFFIC STEM COUPLING	1	STAINLESS STEEL	A-890	1.5% SILICON MAX.	
26	TRAFFIC FLANGE HEX CAP SCREW	8	STEEL	SAE J429	GR 5 GALVANIZED	
27	BOTTOM UPPER BARREL O-RING	1	RUBBER	D-2000	BUNA N	
28	TRAFFIC FLANGE	1	CAST IRON	A-126	CLASS B	
29	REUSABLE COTTER PIN	2	STAINLESS STEEL		18-8	
30	CLEVIS PIN	2	STAINLESS STEEL	A-276	300 SERIES	

SEE CAT. RECORD FOR RESPECTIVE PARTS OR SUB. ASS'YS  
NOTE: SIZE AND STYLE OF OPERATING NUT, SHOE SIZE, AND THREADING OF NOZZLES IS PER CUSTOMER SPECS.

ITEM	DESCRIPTION	REQ'D	MATERIAL	A.S.T.M.	CURRENT MATERIAL DESCRIPTION (C)	ALTERNATE STANDARD (C)
31	LOWER STEM	1	CARBON STEEL	A-576	GRADE 1144T	
32	LOWER BARREL	1	CAST IRON	A-126	CLASS B	
33	STEM PIN	1	STAINLESS STEEL	A-276	300 SERIES	
34	DRAIN VALVE FACING	2	H.D. POLYETHYLENE		LS 5660-00	
35	DRAIN VALVE FACING SCREW	4	STAINLESS STEEL	A-276	300 SERIES	
36	UPPER VALVE PLATE	1	BRASS	B-584	ALLOY C89833	B584 C87850 OR C87600
37	BOTTOM SEAT O-RING	1	RUBBER	D-2000	BUNA N	
38	DRAIN RING	1	BRONZE	B-62	ALLOY C83600	B584 C87850 OR C87600
39	SEAT RING	1	BRASS	B-584	ALLOY C89833	B584 C87850 OR C87600
40	DRAIN RING HOUSING	1	CAST IRON	A-126	CLASS B	
41	ENCAPSULATED MAIN VALVE	1	RUBBER	D-2000	NATURAL	
42	LOWER VALVE PLATE	1	CAST IRON	A-126	CLASS B	
43	LOCK WASHER	1	STAINLESS STEEL	A-276	304	
44	VALVE NUT	1	CAST IRON	A-126	CLASS B	
45	VALVE NUT SEAL	1	RUBBER		NATURAL	
46	BONNET HEX NUT	8	STEEL	SAE J995	GR 8 GALVANIZED	
47	STEM O-RING	2	RUBBER	D-2000	BUNA N	
48	TRAFFIC FLANGE HEX NUT	8	STEEL	SAE J995	GR 5 GALVANIZED	
49	DRAIN RING HOUSING O-RING	1	RUBBER	D-2000	BUNA N	
50	SLEEVE	1	COPPER	B-75	ALLOY 122	
51	UPPER STEM PIN	1	STAINLESS STEEL	A-276	303	
52	SHOE HEX CAP SCREW	6	STEEL	SAE J429	GR 5 GALVANIZED	
53	SHOE	1	DUCTILE IRON	A536	GR 65-45-12	GR 70-50-05
* 54	PIPE GLAND	1	CAST IRON	A-126	CLASS B	
55	TOP SEAT O-RING	1	RUBBER	D-2000	BUNA N	
56	SHOE HEX NUT	6	STEEL	SAE J995	GR 5 GALVANIZED	
57	STOP NUT	1	DUCTILE IRON	A536	65-45-12	
* 58	MECH. JOINT GASKET	1	RUBBER	D-2000	R-42	
* 59	T-HEAD BOLT	6	STEEL	A-242	TYPE 1	
* 60	HEX BOLT	6	STEEL	A-242	TYPE 1	
* 61	BURY TAG	1	STAINLESS STEEL	A-240	304	

\* NOT SHOWN



REV.	DESCRIPTION	REF.	DRFTR	CHK'R	APP	DATE
C	UPDATE TO 2019 HYDRANT REFRESH & ADD ALTERNATE STANDARD	EO5200	ANC			2-6-23
B	REVISE ITEMS #11 & 31		MRG			3-13-12
A	REVISE ITEMS # 11 & 31		ANC			11-30-09

(MILLIMETER) INCH INITIAL RELEASE DRFTR ANC 3-6-07 CHK'R APP CJD 3-6-07 E.O. NUMBER		<b>TOLERANCES - MACHINING</b> UNLESS OTHERWISE NOTED BREAK EDGES FINISH SURFACES MACH. .006/.016 125 FRACTIONS ±1/64 DECIMALS 2 PL ±.025 3 PL ±		THIRD ANGLE PROJECTION PURCH. FINISH REF. NO. SCALE N.T.S. STK. NO. SEE TABLE	
<b>MUELLER</b>		MATL. SEE TABLE DESCR. 5 1/4" A463 CENTURION STOP IN BONNET W/ TWO HOSE NOZZLES & ONE PUMPER NOZZLE (2019 STYLE)		REVISION C NUMBER FH 155 SHEET 1 OF 1	