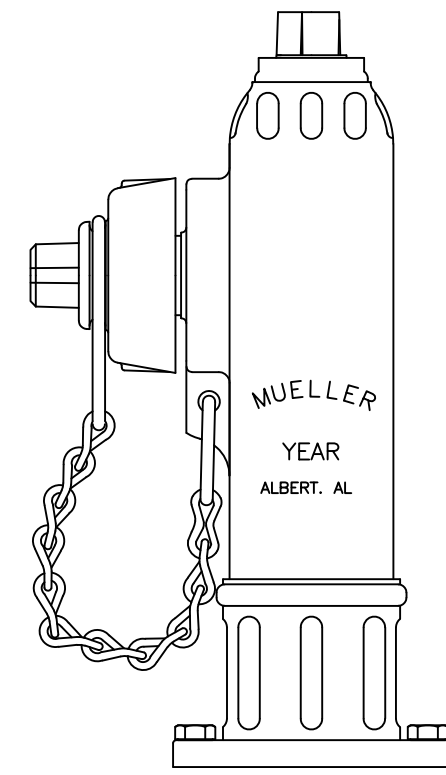
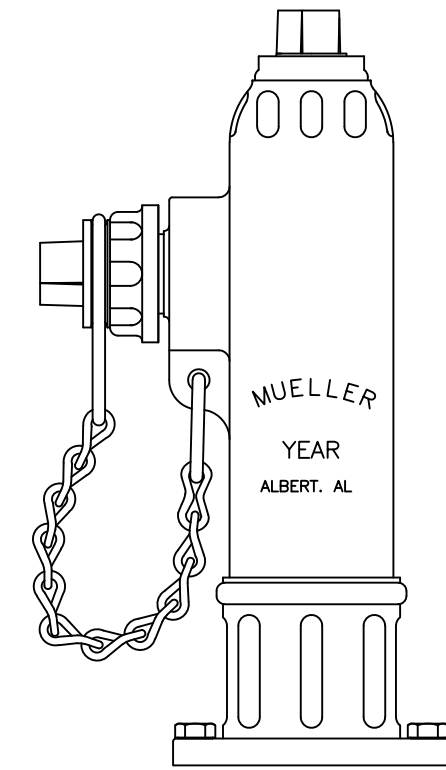


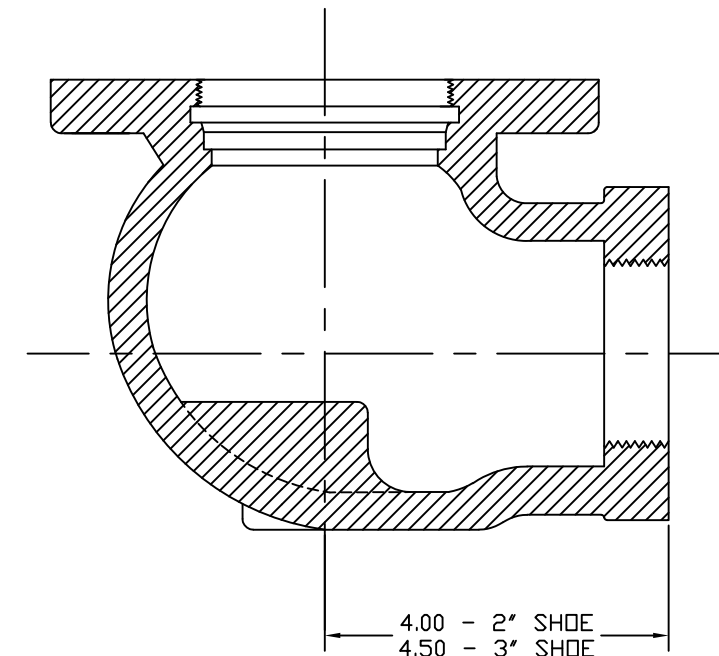
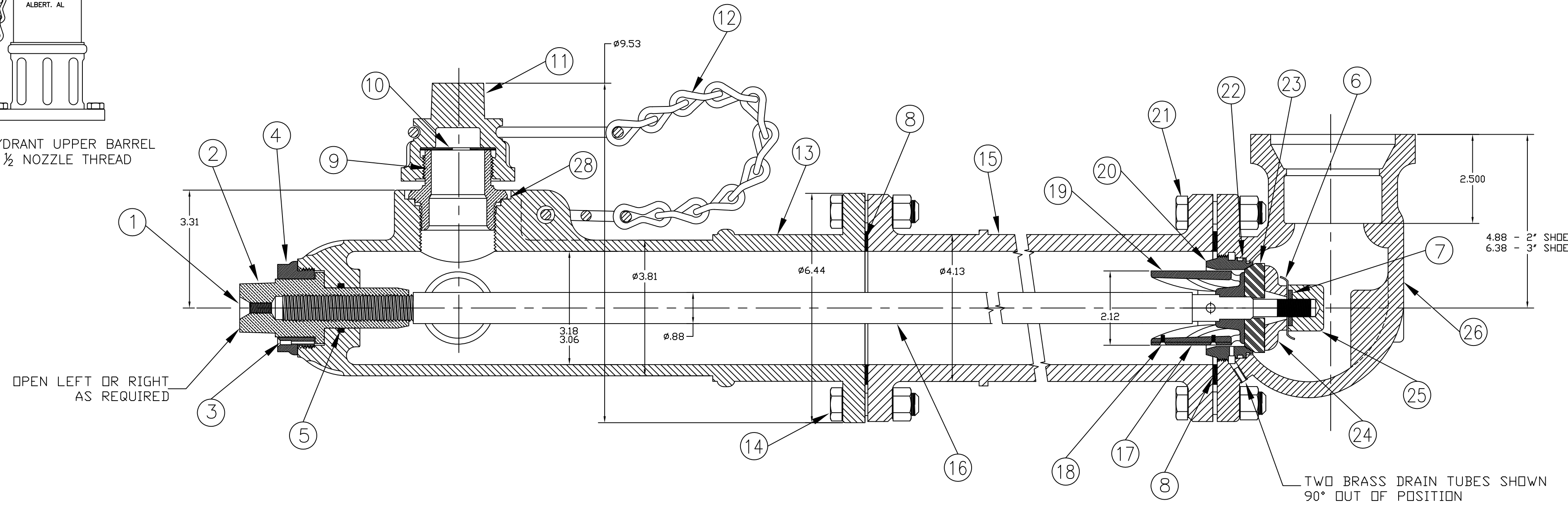
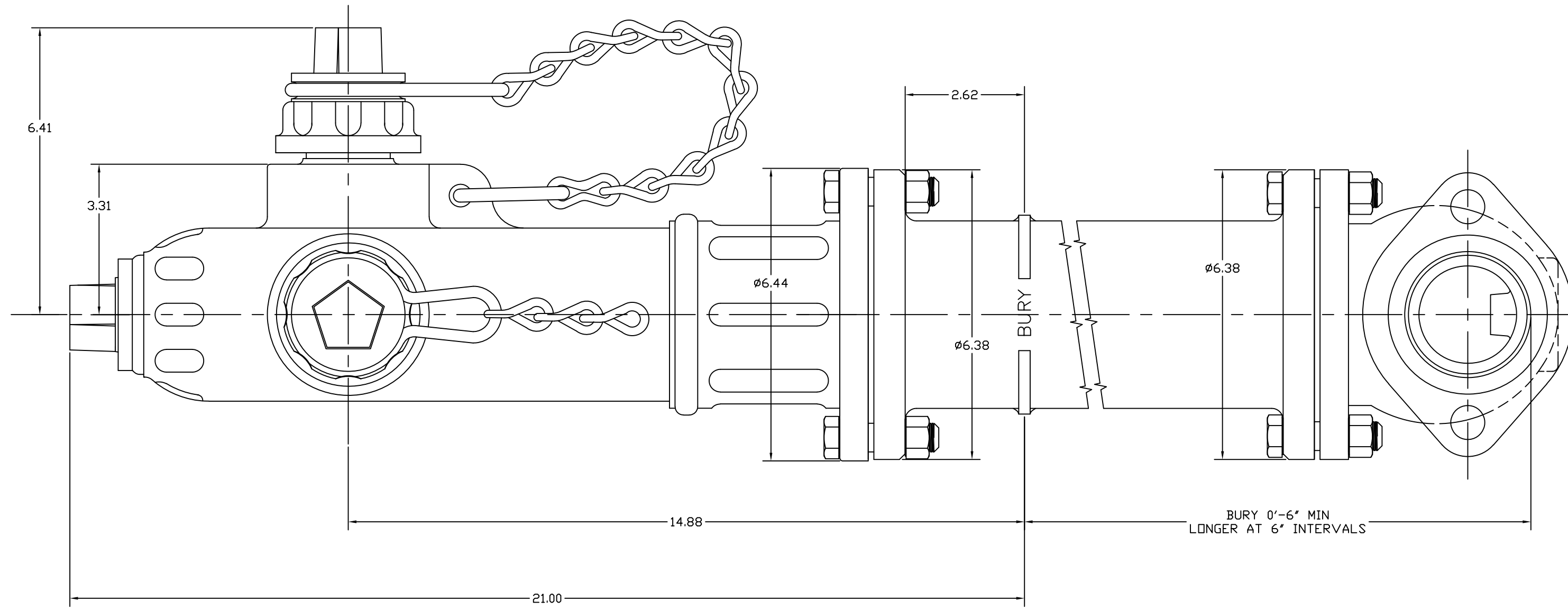
2 1/8 HYDRANT UPPER BARREL
W/2 2 1/2 NOZZLE THREADS



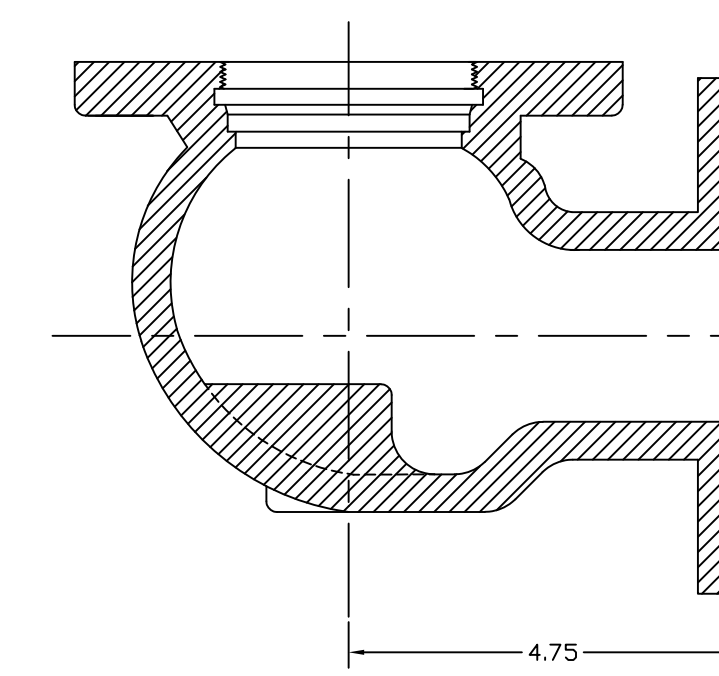
2 1/8 HYDRANT UPPER BARREL
W/1 2 1/2 NOZZLE THREAD



2 1/8 HYDRANT UPPER BARREL
W/1 1 1/2 NOZZLE THREAD



SCREW END SHOE



FLANGE END SHOE

PARTS LIST						
ITEM	DESCRIPTION	REQ'D	MATERIAL	A.S.T.M.	CURRENT MATERIAL DESCRIPTION	ALTERNATE STANDARD
1	OIL SCREW	1	BRASS	B36	ALLOY 268	
Ⓑ 2	OPERATING NUT	1	BRONZE	B584	ALLOY C89833	B584 C87850 OR C87600
3	HOLD DOWN NUT SCREW	1	BRASS			
Ⓑ 4	HOLD DOWN NUT	1	BRONZE	B62		B584 C87850 OR C87600
5	O-RING SEAL	1	RUBBER		BUNA N	
6	WASHER	1	STL. STEEL		TYPE 302	
7	SEAL	1	RUBBER		R 12	
Ⓑ 8	GASKET	2	RUBBER		R49	
Ⓑ 9	HOSE NOZZLE	2	BRONZE	B584	ALLOY C89833	B584 C87850 OR C87600
Ⓑ 10	HOSE NOZZLE GASKET	2	RUBBER	D2000	NEOPRENE	
11	HOSE NOZZLE CAP	2	CAST IRON	A126	CLASS B	
Ⓑ 12	NOZZLE CAP CHAIN	2	STEEL		ELECTRO GALV.	
13	UPPER BARREL	1	CAST IRON	A126	CLASS B	
Ⓑ 14	FLANGE BOLT	4	STEEL	SAE J429	GR 2 GALVANIZED	
15	LOWER BARREL	1	CAST IRON	A126	CLASS B	
Ⓑ 16	STEM	1	STEEL	A575	M1020	
Ⓑ 17	DRAIN VALVE FACING	1	H.D. POLYETHYLENE		LS 5660-00	
18	DRAIN VALVE SCREW	2	BRASS			
Ⓑ 19	UPPER VALVE PLATE	1	BRONZE	B584	ALLOY C89833	B584 C87850 OR C87600
Ⓑ 20	SEAT RING	1	BRONZE	B584	ALLOY C89833	B584 C87850 OR C87600
Ⓑ 21	SHOE BOLT	4	STEEL	SAE J429	GR 2 GALVANIZED	
22	"O"-RING SEAL	1	RUBBER	D2000		
Ⓑ 23	MAIN VALVE	1	RUBBER	D2000	NATURAL	
24	LOWER VALVE PLATE	1	CAST IRON	A126	CLASS B	
Ⓑ 25	VALVE NUT	1	DUCTILE IRON	A536	65-45-12	
Ⓑ 26	SHOE	1	DUCTILE IRON	A536	65-45-12	70-50-05
Ⓑ 27 *	BURY TAG	1	STL. STEEL	A240	TYPE 304	
Ⓑ 28	NOZZLE LOCKS	2	STAINLESS STEEL	A-276	305 OR 410	

* NOT SHOWN

4" (MILLIMETER) INCH		TOLERANCES - MACHINING UNLESS OTHERWISE NOTED		THIRD ANGLE PROJECTION	
INITIAL RELEASE		BREAK EDGES	FINISH SURFACES	PURCH.	FINISH
DRFTR SMC 10-6-03		MACH. .006/.016	125		
CHK'R JMG 10-6-03				REF. NO.	SCALE
APP JMG 10-6-03		FRACTIONS ±1/64	DECIMALS 2 PL ±.025 3 PL ±.016	ANGLES ±1°	1:2
E.O. NUMBER				STK. NO.	
B UPDATE TO 2019 HYDRANT REFRESH & ALTERNATE STANDARD E05200 ANC 2-3-23		MATERIAL AS NOTED		REVISION	
A REVISED ITEMS 2, 9, 19, & 20 JMG 11-7-13		DESCR. 2 1/8" STD. FIRE HYDRANT W/ TWO HOSE NOZZLES		NUMBER	
REV. DESCRIPTION REF. DRFTR CHK'R APP DATE		MUELLER		FH-15	
				SHEET 1 OF 1	