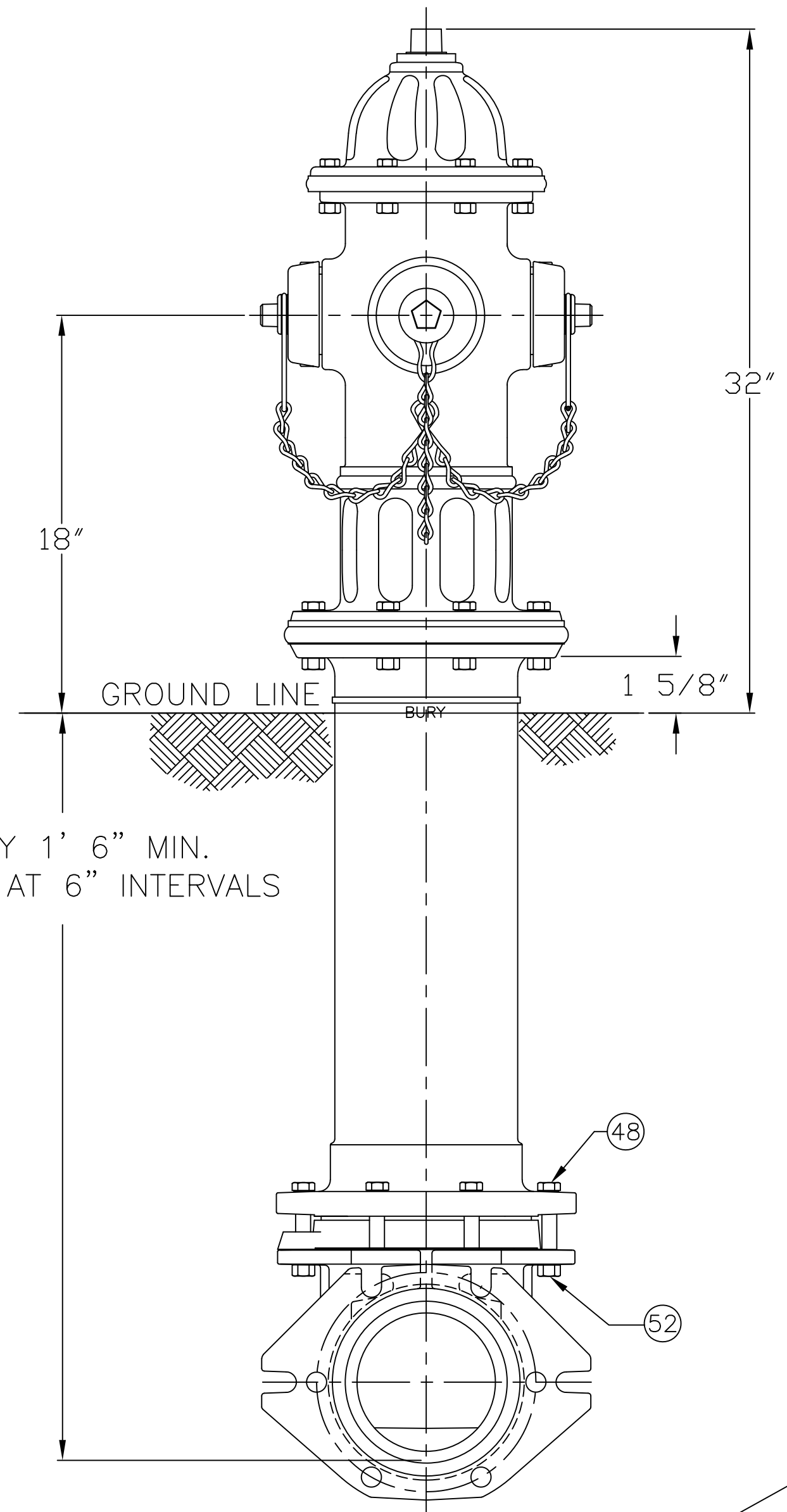


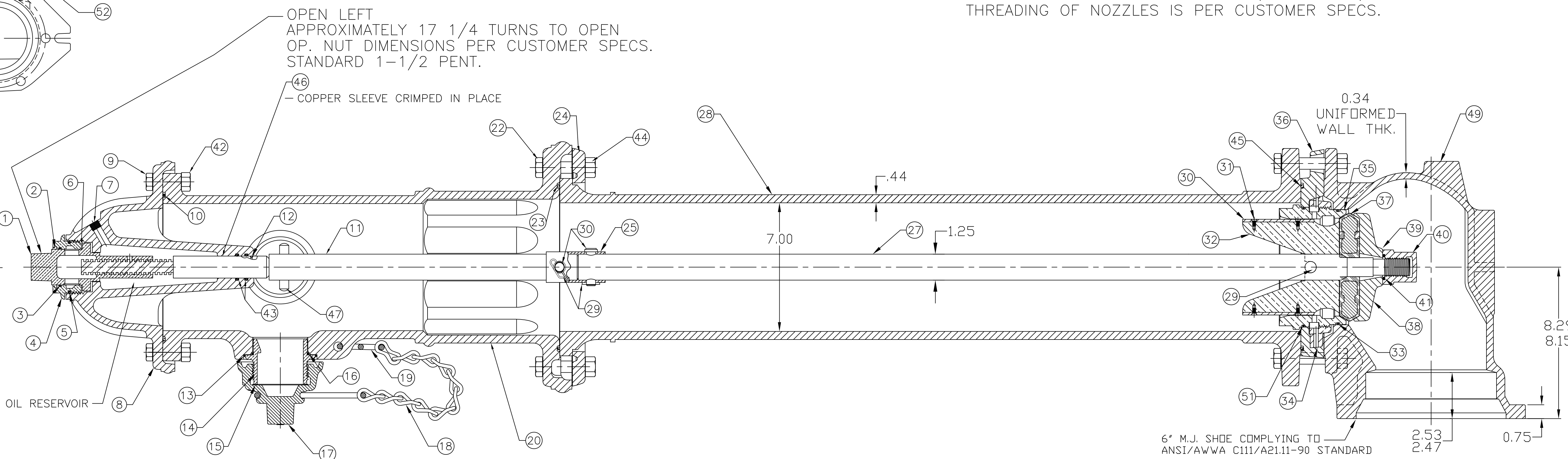
5 1/4" A454 SUPER CENTURION "350" W/ THREE HOSE NOZZLES
350 P.S.I. W.P. - 700 P.S.I. TEST, 2019 STYLE.

DWG. FH 448



PARTS LIST						
ITEM	DESCRIPTION	REQ'D	MATERIAL	A.S.T.M.	CURRENT MATERIAL DESCRIPTION	ALTERNATE STANDARD
①	OPERATING NUT	1	BRONZE	B-62	ALLOY C83600	B584 C87850 OR C87600
2	WIPER RING	1	RUBBER	D-2000	EPDM	
3	HOLD DOWN NUT O-RING	1	RUBBER	D-2000	BUNA N	
④	HOLD DOWN NUT	1	BRONZE	B-62	ALLOY C83600	B584 C87850 OR C87600
5	BONNET O-RING	1	RUBBER	D-2000	BUNA N	
6	ANTI-FRICTION WASHER	1	CELCON		GRADE M90-04	
7	OIL FILLER PLUG	1	BRASS	B-16	ALLOY 360	
8	BONNET	1	CAST IRON	A-126	CLASS B	
9	BONNET HEX CAP SCREW	8	STEEL	SAE J429	GR 5 GALVANIZED	
10	TOP UPPER BARREL O-RING	1	RUBBER	D-2000	BUNA N	
11	UPPER STEM	1	CARBON STEEL	A-576	GR 1144T	
12	STEM O-RING	1	RUBBER	D-2000	BUNA N	
13	NOZZLE LOCK	3	STAINLESS STEEL	A-276	305 OR 410	
⑬	HOSE NOZZLE	3	BRASS	B-584	ALLOY C89833	B584 C87850 OR C87600
15	HOSE NOZZLE CAP GASKET	3	RUBBER	D-2000	NEOPRENE	
16	HOSE NOZZLE O-RING	3	RUBBER	D-2000	BUNA N	
17	HOSE NOZZLE CAP	3	CAST IRON	A-126	CLASS B	
18	CAP CHAIN	3	STEEL		ELECTRO GALV.	
19	CHAIN HOOK	1	STEEL		ELECTRO GALV.	
20	UPPER BARREL	1	CAST IRON	A-126	CLASS B	
21	TRAFFIC STEM COUPLING	1	STAINLESS STEEL	A-890	1.5% SILICON MAX.	
22	TRAFFIC FLANGE HEX CAP SCREW	8	STEEL	SAE J429	GR 5 GALVANIZED	
23	BOTTOM UPPER BARREL O-RING	1	RUBBER	D-2000	BUNA N	
24	TRAFFIC FLANGE	1	CAST IRON	A-126	CLASS B	
25	REUSABLE COTTER PIN	2	STAINLESS STEEL		18-8	
26	CLEVIS PIN	2	STAINLESS STEEL	A-276	300 SERIES	
27	LOWER STEM	1	CARBON STEEL	A-576	GRADE 1144T	
28	LOWER BARREL	1	CAST IRON	A-126	CLASS B	
29	STEM PIN	1	STAINLESS STEEL	A-276	300 SERIES	
30	DRAIN VALVE FACING	2	H.D. POLYETHYLENE		LS 5660-00	

SEE CAT. RECORD FOR RESPECTIVE PARTS OR SUB. ASS'YS



ITEM	DESCRIPTION	REQ'D	MATERIAL	A.S.T.M.	CURRENT MATERIAL DESCRIPTION	ALTERNATE STANDARD
31	DRAIN VALVE FACING SCREW	4	STAINLESS STEEL	A-276	300 SERIES	
③②	UPPER VALVE PLATE	1	BRASS	B-584	ALLOY C89833	B584 C87850 OR C87600
33	BOTTOM SEAT O-RING	1	RUBBER	D-2000	BUNA N	
③④	DRAIN RING	1	BRONZE	B-62	ALLOY C83600	B584 C87850 OR C87600
③⑤	SEAT RING	1	BRASS	B-584	ALLOY C89833	B584 C87850 OR C87600
36	DRAIN RING HOUSING	1	CAST IRON	A-126	CLASS B	
37	ENCAPSULATED MAIN VALVE	1	RUBBER	D-2000	NATURAL	
38	LOWER VALVE PLATE	1	CAST IRON	A-126	CLASS B	
39	LOCK WASHER	1	STAINLESS STEEL	A-276	304	
40	VALVE NUT	1	CAST IRON	A-126	CLASS B	
41	VALVE NUT SEAL	1	RUBBER		NATURAL	
42	BONNET HEX NUT	8	STEEL	SAE J995	GR 8 GALVANIZED	
43	STEM O-RING	2	RUBBER	D-2000	BUNA N	
44	TRAFFIC FLANGE HEX NUT	8	STEEL	SAE J995	GR 5 GALVANIZED	
45	DRAIN RING HOUSING O-RING	1	RUBBER	D-2000	BUNA N	
46	SLEEVE	1	COPPER	B-75	ALLOY 122	
47	UPPER STEM PIN	1	STAINLESS STEEL	A-276	303	
48	SHOE HEX CAP SCREW	6	STEEL	SAE J429	GR 5 GALVANIZED	
49	SHOE	1	DUCTILE IRON	A536	GR 65-45-12	GR 70-50-05
* 50	PIPE GLAND	1	CAST IRON	A-126	CLASS B	
51	TOP SEAT O-RING	1	RUBBER	D-2000	BUNA N	
52	SHOE HEX NUT	6	STEEL	SAE J995	GR 5 GALVANIZED	
* 53	MECH. JOINT GASKET	1	RUBBER	D-2000	NATURAL	
* 54	T-HEAD BOLT 3/4 X 3.5	6	STEEL	A-242	TYPE 1	A-588
* 55	HEX NUT 3/4	6	STEEL	A-242	TYPE 1	A-588
⑤⑥ * 56	BURY TAG	1	STAINLESS STEEL	A-240	304	

* NOT SHOWN

NOTE: SIZE AND STYLE OF OPERATING NUT, SHOE SIZE, AND THREADING OF NOZZLES IS PER CUSTOMER SPECS.

MUELLER

5 1/4" A454 SUPER CENTURION W/ THREE HOSE NOZZLES

REVISION: E NUMBER: FH 448 SHEET 1 OF 1

TOLERANCES - MACHINING UNLESS OTHERWISE NOTED

DECIMALS: 2 PL ±.025, 3 PL ±.016

ANGLES: ±1°

FINISH SURFACES: 125

SCALE: N.T.S.