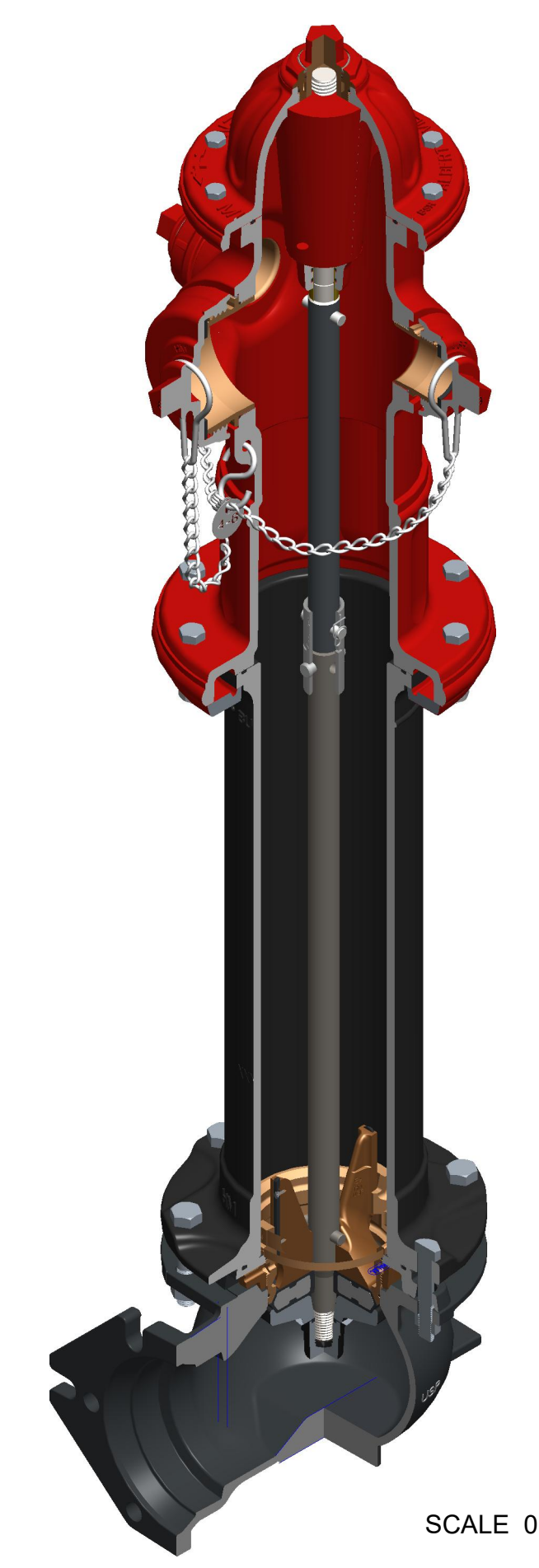


PARTS LIST						
ITEM	DESCRIPTION	REQ'D	MATERIAL	A.S.T.M.	ALTERNATE STANDARD	ADDITIONAL MATERIAL DESCRIPTION
1	OPERATING NUT	1	BRONZE	B-62		ALLOY C83600
2	WIPER RING	1	RUBBER	D-2000		EPDM
3	HOLD DOWN NUT O-RING	1	RUBBER	D-2000		BUNA N
4	HOLD DOWN NUT	1	BRONZE	B-62		ALLOY C83600
5	BONNET O-RING	1	RUBBER	D-2000		BUNA N
(K) 6	ANTI-FRICTION WASHER	2	NYLON			6/6
7	OIL FILLER PLUG	1	BRASS	B-16		ALLOY 360
8	BONNET	1	NOTE 3			
(K) 9	BONNET HEX CAP SCREW	8	STEEL	SAE J429		GR5 GALVANIZED
10	TOP UPPER BARREL O-RING	1	RUBBER	D-2000		BUNA N
11	UPPER STEM	1	CARBON STEEL	A-576		GR 1144T
12	STEM O-RING	1	RUBBER	D-2000		BUNA N
13	NOZZLE LOCK	3	STAINLESS STEEL	A-276		305 OR 410
14	PUMPER NOZZLE	1	BISMUTH BRASS	B-584		ALLOY C89833
15	PUMPER NOZZLE CAP GASKET	1	RUBBER	D-2000		NEOPRENE
16	PUMPER NOZZLE O-RING	1	RUBBER	D-2000		BUNA N
(K) 17	PUMPER NOZZLE CAP	1	NOTE 3			
18	HOSE NOZZLE	2	BISMUTH BRASS	B-584		ALLOY C89833
19	HOSE NOZZLE CAP GASKET	2	RUBBER	D-2000		NEOPRENE
20	HOSE NOZZLE O-RING	2	RUBBER	D-2000		BUNA N
(K) 21	HOSE NOZZLE CAP	2	NOTE 3			
22	CAP CHAIN	3	STEEL			ELECTRO GALV.
23	CHAIN HOOK	1	STEEL			ELECTRO GALV.
(K) 24	UPPER BARREL	1	NOTE 3			
25	SAFETY STEM COUPLING	1	STAINLESS STEEL	A-890		1.5% SILICON MAX.
(K) 26	TRAFFIC FLANGE HEX CAP SCREW	8	STEEL	SAE J429		GR5 GALVANIZED
27	TRAFFIC FLANGE O-RING	1	RUBBER	D-2000		BUNA N
(K) 28	TRAFFIC FLANGE	2	CAST IRON	A-126		CLASS B
(K) 29	REUSABLE COTTOR PIN	2	STAINLESS STEEL			18-8
(K) 30	CLEVIS PIN	2	STAINLESS STEEL	A-276		300 SERIES
31	LOWER STEM	1	CARBON STEEL	A-576		GRADE 1144T

ITEM	DESCRIPTION	REQ'D	MATERIAL	A.S.T.M.	ALTERNATE STANDARD	ADDITIONAL MATERIAL DESCRIPTION
32	LOWER BARREL	1	NOTE 3			
33	STEM PIN	1	STAINLESS STEEL	A-276		300 SERIES
34	DRAIN VALVE FACING	2	H.D. POLYETHYLENE			LS 5660-00
35	DRAIN VALVE FACING SCREW	4	STAINLESS STEEL	A-276		300 SERIES
36	UPPER VALVE PLATE	1	BISMUTH BRASS	B-584		ALLOY C89833
37	BOTTOM SEAT O-RING	1	RUBBER	D-2000		BUNA N
38	DRAIN RING	1	BRONZE	B-62		ALLOY C83600
39	SEAT RING	1	BISMUTH BRASS	B-584		ALLOY C89833
40	DRAIN RING HOUSING	1	NOTE 3			
41	ENCAPSULATED MAIN VALVE	1	RUBBER	D-2000		NATURAL
42	LOWER VALVE PLATE	1	NOTE 3			
43	LOCK WASHER	1	STAINLESS STEEL	A-276		304
44	VALVE NUT	1	NOTE 3			
45	VALVE NUT SEAL	1	RUBBER			NITRILE
46	BONNET HEX NUT	8	STEEL	SAE J995		GR8 GALVANIZED
47	STEM O-RING	2	RUBBER	D-2000		BUNA N
48	TRAFFIC FLANGE HEX NUT	8	STEEL	SAE J995		GR5 GALVANIZED
49	DRAIN RING HOUSING O-RING	1	RUBBER	D-2000		BUNA N
50	SLEEVE	1	COPPER	B-75		ALLOY 122
51	UPPER STEM PIN	1	STAINLESS STEEL	A-276		303
52	SHOE HEX CAP SCREW	6	STEEL	SAE J429	NOTE 1	GR5 GALVANIZED
53	SHOE	1	DUCTILE IRON	A-536	GR 70-50-05	GR 65-45-12
54	PIPE GLAND	1	CAST IRON	A-126		CLASS B
55	TOP SEAT O-RING	1	RUBBER	D-2000		BUNA N
56	SHOE HEX NUT	6	STEEL	SAE J995	NOTE 2	GR5 GALVANIZED
57	MECH. JOINT GASKET	1	RUBBER	D-2000		NATURAL
58	T-HEAD BOLT 3/4x3.50	6	STEEL	A-242	A-588	TYPE 1
59	HEX NUT 3/4"	6	STEEL	A-242	A-588	TYPE 1
60	BURY TAG	1	STAINLESS STEEL	A-240		304



SEE CAT. RECORD FOR RESPECTIVE PARTS OR SUB. ASS'YS

\* NOT SHOWN

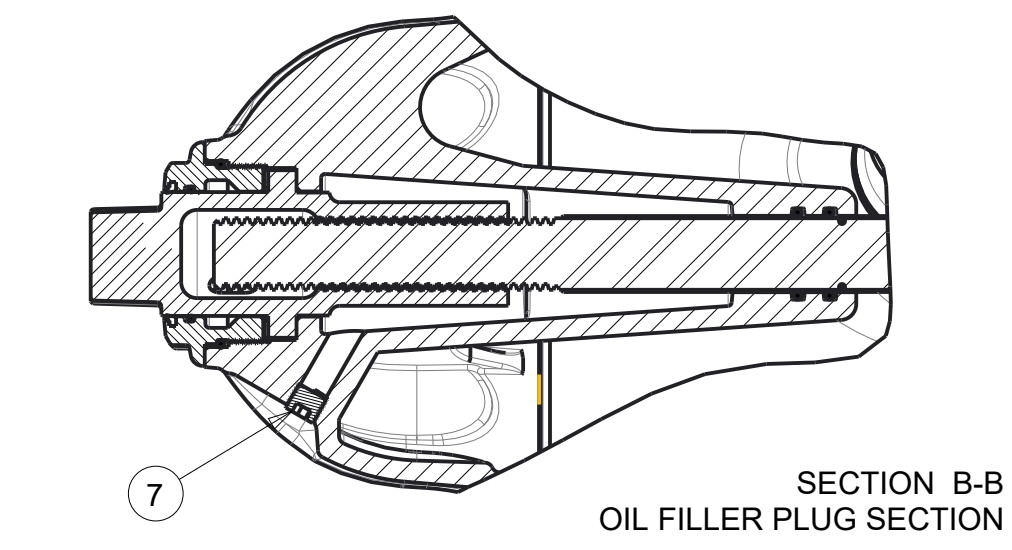
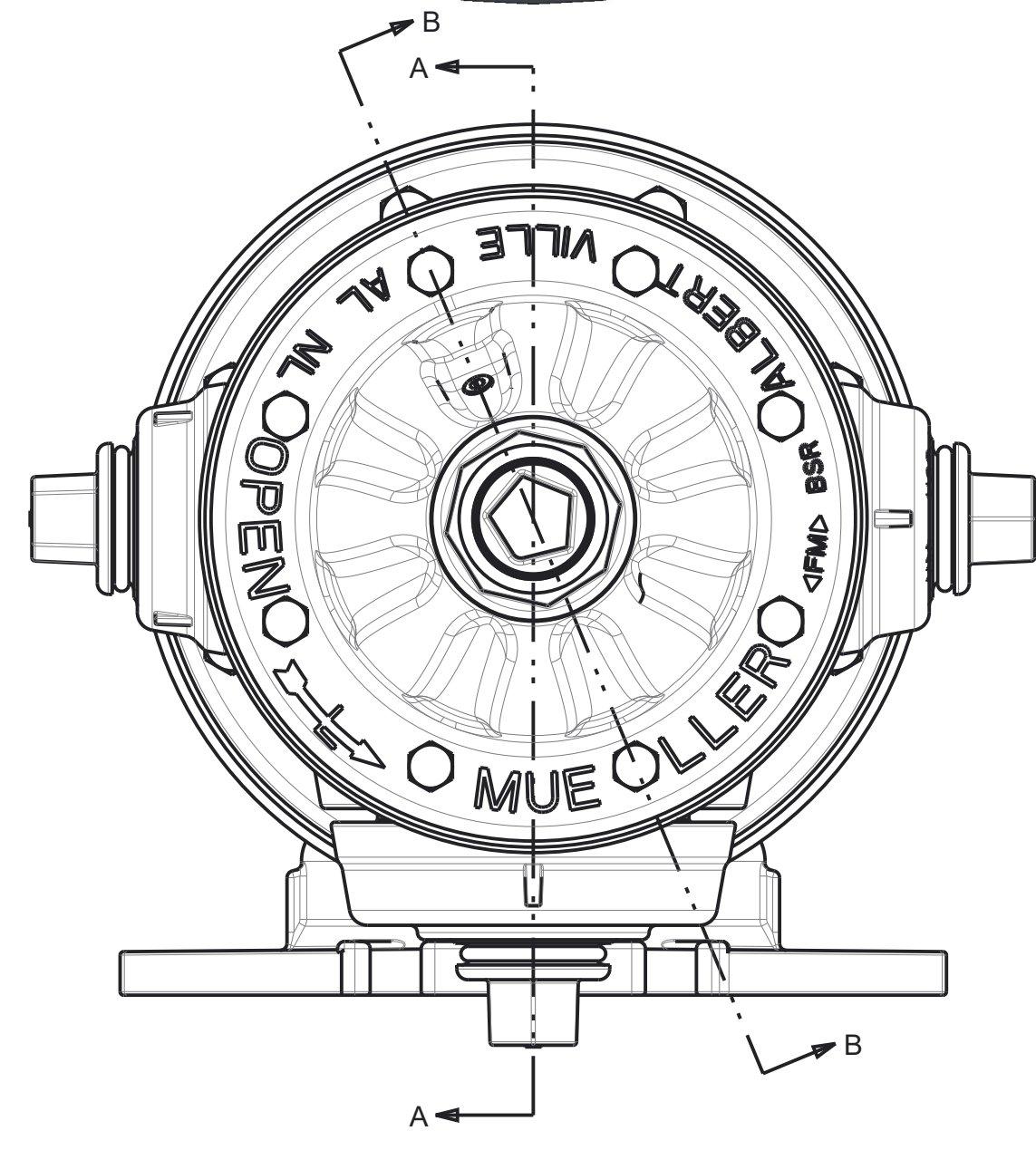
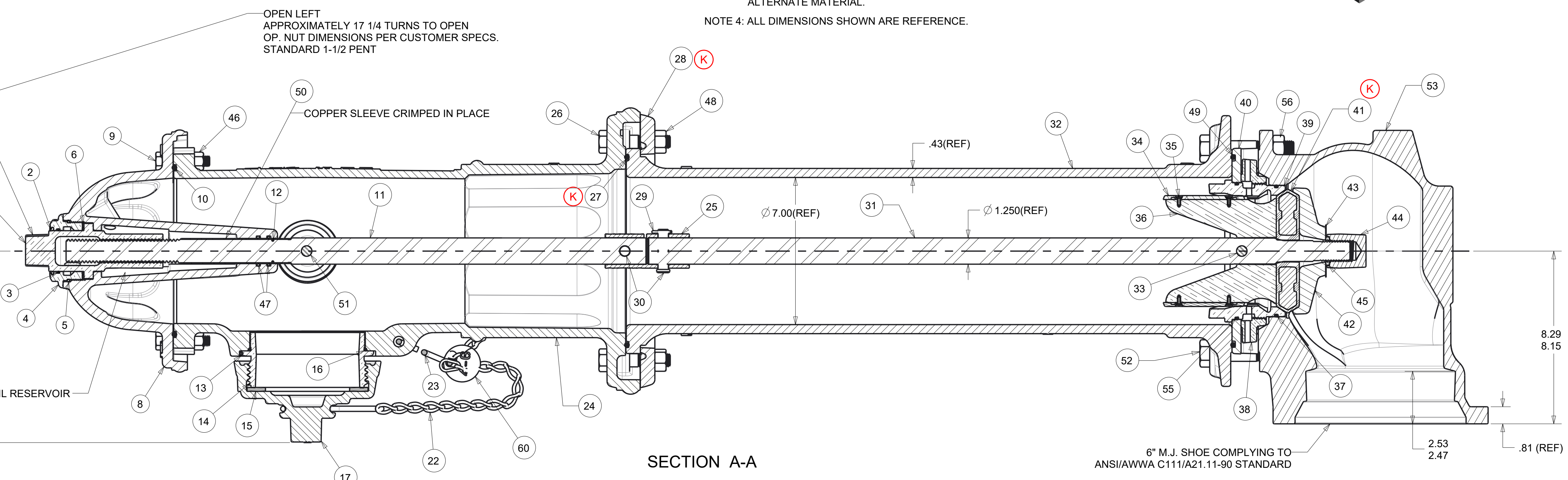
NOTE: SIZE AND STYLE OF OPERATING NUT, SHOE SIZE, AND THREADING OF NOZZLES IS PER CUSTOMER SPECS.

NOTE 1: 316SS F593 CONDITION SH2 IS AN APPROVED ALTERNATE MATERIAL.

NOTE 2: 316SS F594 CONDITION CW IS AN APPROVED ALTERNATE MATERIAL.

NOTE 3: CAST IRON A-126 CLASS B. DUCTILE IRON A-536 GR 70-50-05 OR GR 65-45-12 IS AN APPROVED ALTERNATE MATERIAL.

NOTE 4: ALL DIMENSIONS SHOWN ARE REFERENCE.



**NOZZLE INFORMATION**  
 1-PUMPER NOZZLE (4-1/2" NST)  
 2-HOSE NOZZLES (2-1/2" NST)

4 1/2" A421HP & 5 1/4" A423HP SUPER CENTURION 350 W/TWO HOSE NOZZLES & ONE PUMPER NOZZLE - 350 P.S.I. W.P. - 700 P.S.I. TEST, 2019 STYLE

DWG. No. FH-84

REV.	DESCRIPTION	REF.	DRAWN	CHECKED	APP.	DATE
K	REVISED FOR 2019 STYLE, REVISE & ADD ALTERNATE MATERIAL	EQ4227	JMH	CJD	CJD	4-19-18
J	ADD ALTERNATE ASTM COLUMN, REVISE ITEMS# 9.26,46,48,52,56		ANC	CJD	CJD	9-6-16
H	REVISE MATERIAL ON ITEMS# 1, 4, 38		JBC	CJD	CJD	8/7/14
G	REVISE MATERIAL ON ITEMS# 14,18,36,39		ANC	CJD	CJD	10-31-13
F	CREATE DRAWING FROM PRO-E		JBC			5-21-13

(MILLIMETER) INCH INITIAL RELEASE DRFT/ JBC 5-21-13 CHKR/ CJD 5-21-13 APP/ CJD 5-21-13 E.O. NUMBER EQ4227		<b>TOLERANCES - MACHINING</b> UNLESS OTHERWISE NOTED BREAK EDGES MACH. 0.006/010 FINISH SURFACES 125 FRACTIONS 1/64 DECIMALS 2 PL: .025 3 PL: .010 ANGLES 1/2		THIRD ANGLE PROJECTION PURCH. FINISH REF. NO. SCALE 1:3 STK. NO.	
<b>Mueller Co.</b> MATT. SEE TABLE DESCR. 4 1/2" A421HP & 5 1/4" A423HP SUPER CENTURION 350 W/TWO HOSE NOZZLES & ONE PUMPER NOZZLE 2019 STYLE		REVISION K NUMBER FH 84 SHEET 1 OF 1			