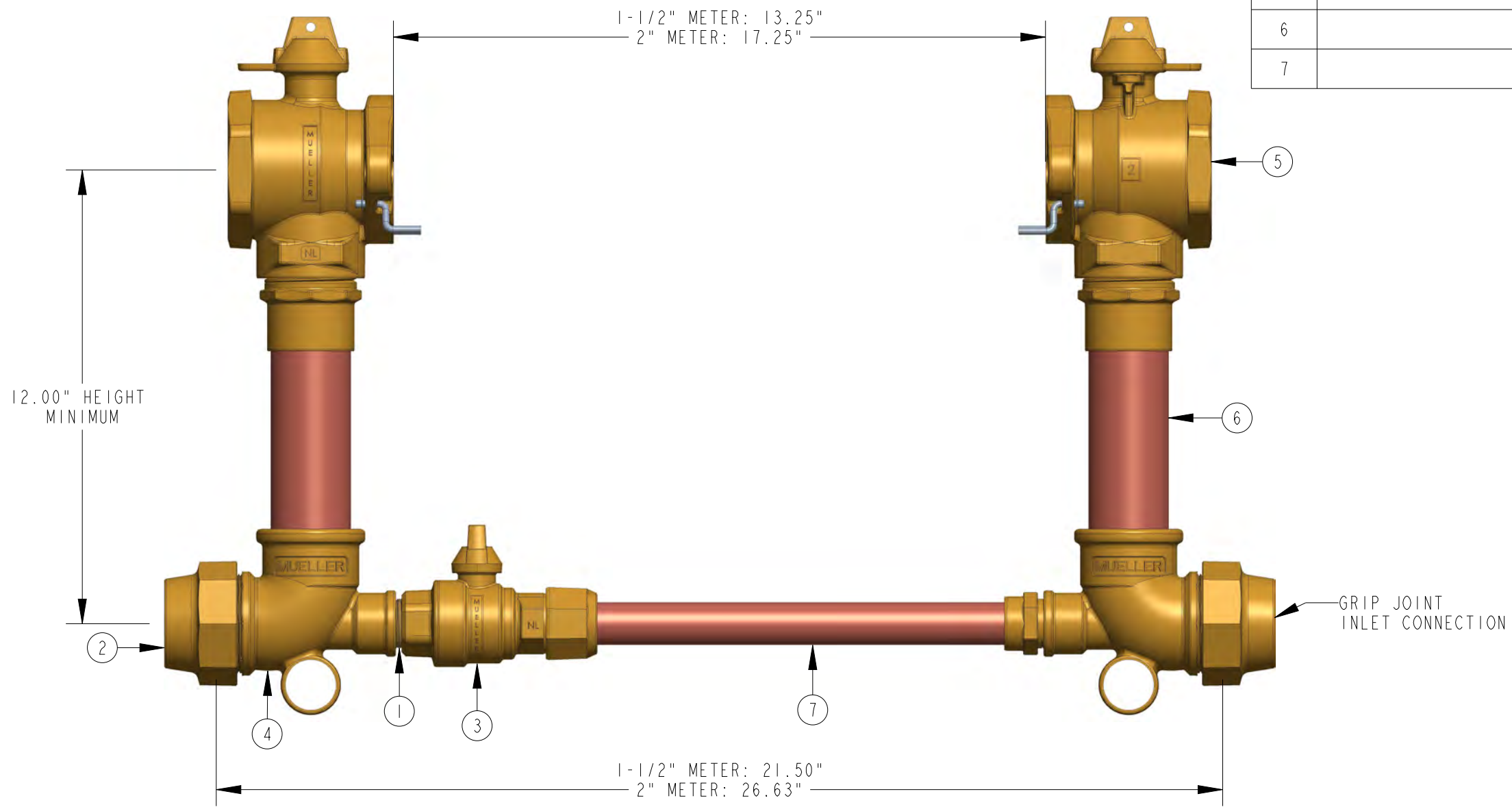


ITEM NO	PART NUMBER	QTY	DESCRIPTION
1		1	CLOSED NIPPLE
2		2	GRIP JOINT
3	B25170N	1	INLINE BALL VALVE (110 X FIP)
4		2	TEE (FIP X SOLDER X FIP)
5	B2428601N	2	FULL PORT BALL VALVE
6		2	RISER SUB ASSEMBLY
7		1	BY-PASS SUB ASSEMBLY



G2423-----N

DR. BY	AOD	11/23/21	UNLESS OTHERWISE NOTED	THIRD ANGLE PROJECTION	C.B. NO.
CHKR			BREAK CAST CORNER(S)---		
ENGR			BREAK MACH CORNER(S)---	PURCH.	PATT. NO.
MGR			TOLERANCES	FINISH	
MFG			UNLESS OTHERWISE NOTED	REF. NO.	SCALE
TOOL			LINEAR	±	NONE
FDRY			ANGULAR	±	STK. NO.
MAT'L:					
		DESCR.	COPPER METER SETTER LOW LEAD BRASS	NUMBER	G2423-----N