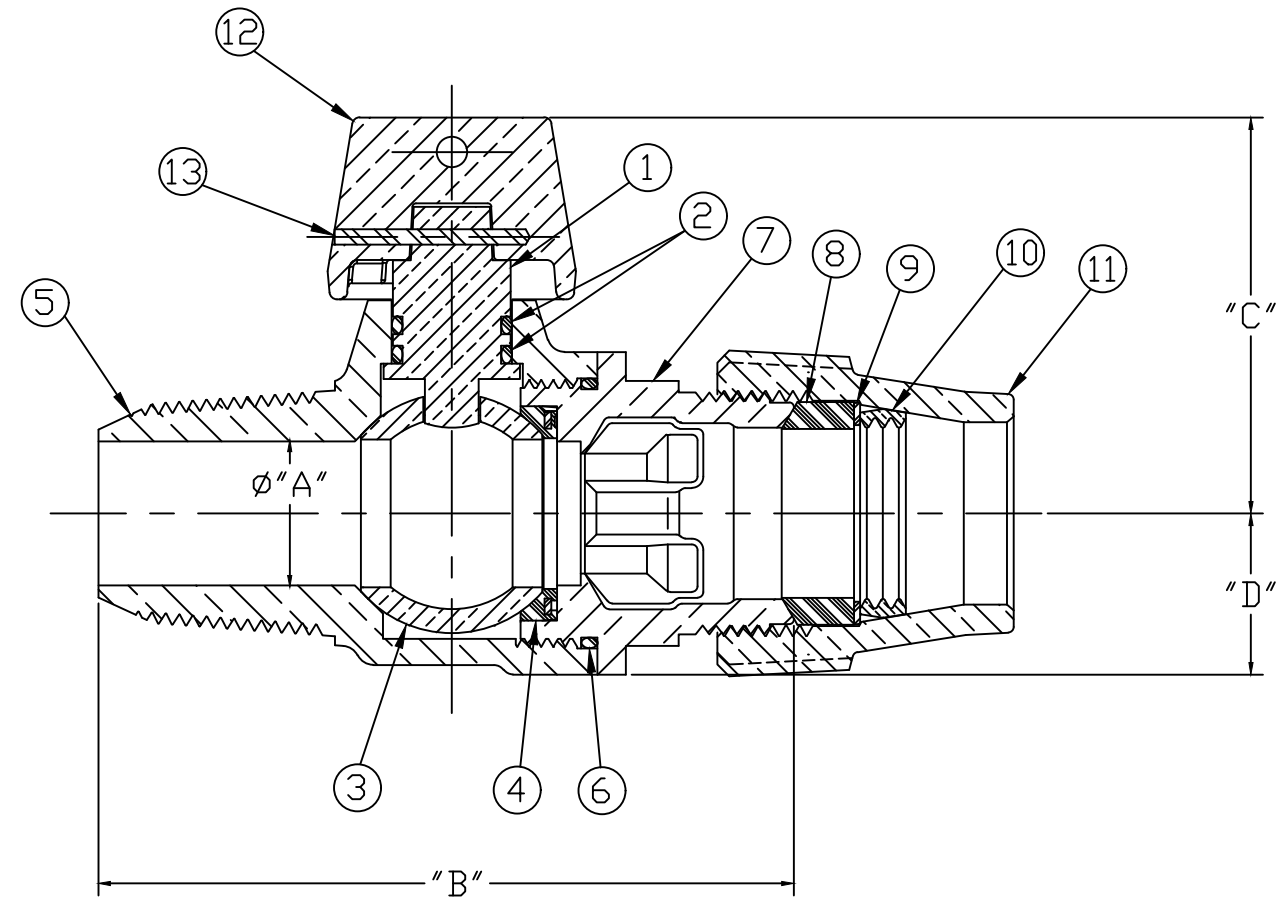


No.	DESCRIPTION	MATERIAL DESCRIPTION
1	STEM	LOW LEAD BRASS ALLOY
2	O-RING	ASTM D2000 (EP)
3	BALL	LOW LEAD BRASS ALLOY
4	RUBBER GASKET	ASTM D2000 (NITRILE)
5	BODY	CAST LOW LEAD BRASS ALLOY
6	O-RING	ASTM D2000 (EP)
7	END PIECE	CAST LOW LEAD BRASS ALLOY
8	PJ GASKET	BUNA-N ASTM D2000
9	PJ WASHER	POLYPROPYLENE
10	COMPRESS RING	BRASS ASTM B62 ALLOY C83600
11	COMPRESS NUT	CAST BRASS ASTM B62 ALLOY C83600
12	CAP	CAST BRASS ASTM B62 ALLOY C83600
13	ROLLPIN	ASTM A240 TYPE 302

SIZE	ØA	B	C	D
3/4"	.75	3.62	1.84	.84
1"	1.00	4.65	2.08	1.15
1-1/2"	1.50	5.16	3.37	1.50
2"	2.00	5.61	3.70	2.00



ALL WETTED PARTS ARE LOW LEAD BRASS ALLOY

FILEPATH: PROD-ENG\MUELLER\ASYSUBMITTALS\G2500810N

DRFTR	RWB	8/14/18	Mueller Co.		
CHKR					
ENGR					
MGR					
			UNLESS OTHERWISE NOTED	THIRD ANGLE PROJECTION	
			SURFACE PREPARATION:		
			BREAK CORNER(S) ---- .000		
			SURFACE FINISH -- XX RMS	REF. No.	
			TOLERANCE(S):	SCALE	
			LINEAR ----- ± .000	NONE	
			ANGULAR ----- ± 0°00'		
			STK No:		
			MAT'L:		
			DESCR.	DWG NUMBER	
			BALL LLB CORPORATION VALVE w/ CAP	G2500810N	
			(CC x CTS GRIP)		
REV	ECR	DESCRIPTION	DATE	BY	CHKR
PER EST NO: DXXXX EST FIN WT = 0.0000 lbs					

DWG NUMBER
G2500810N
 442-MRKTG

TITLE TO AND OWNERSHIP OF THIS ENGINEERING
 DATA REMAINS IN Mueller Co. NO USE IS TO BE
 MADE OF THIS DATA EXCEPT AS SPECIFICALLY
 AUTHORIZED BY Mueller Co. ASSENT ON THE PART
 OF THE RECIPIENT TO THESE CONDITIONS IS PRESUMED