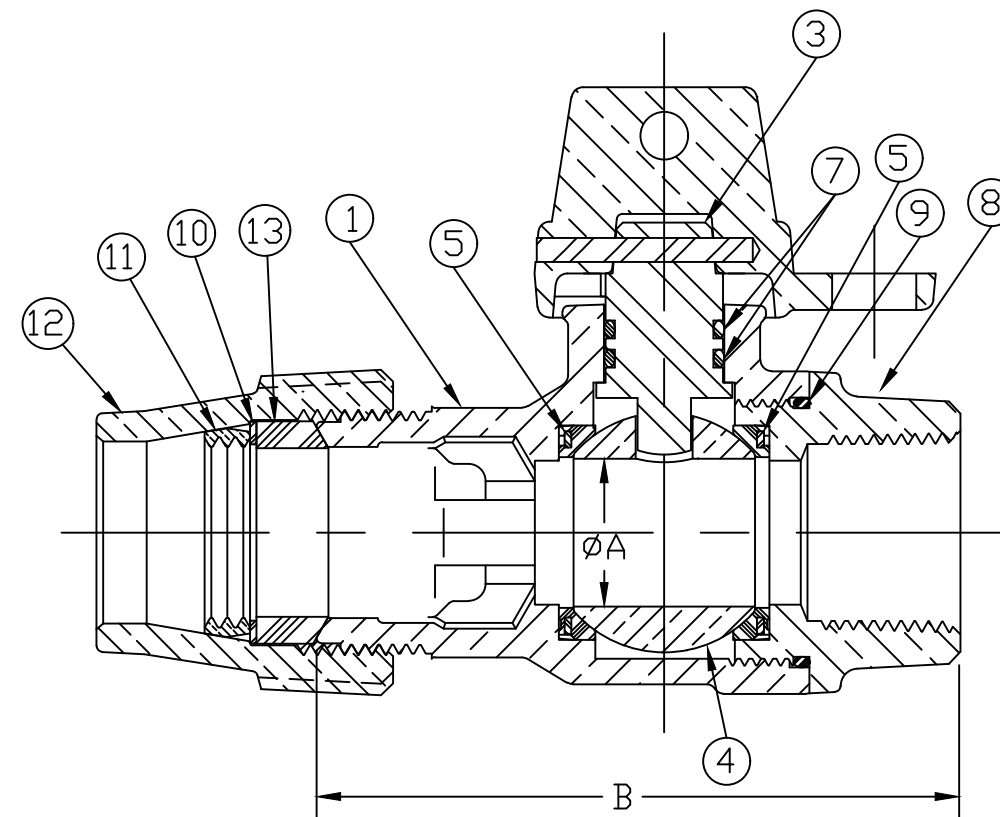
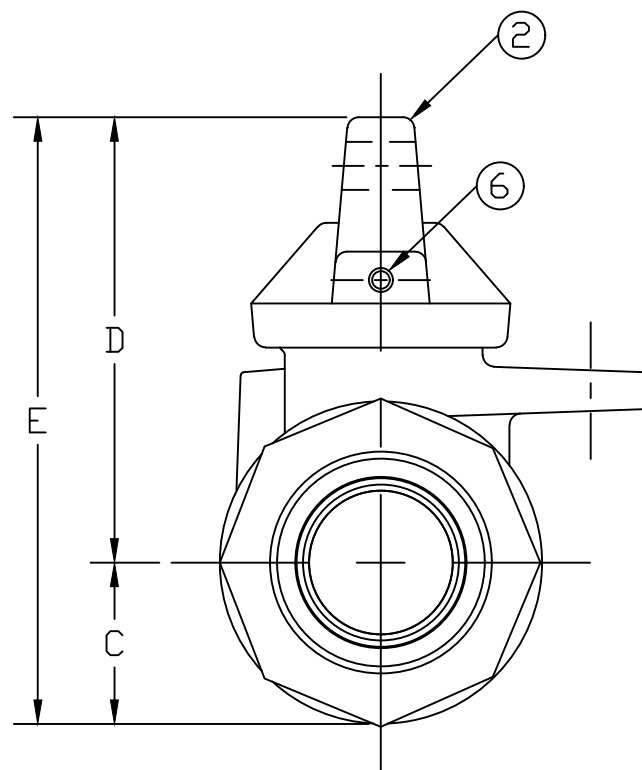


No.	DESCRIPTION	MATERIAL DESCRIPTION
1	BODY	CAST NO LEAD BRASS ALLOY
2	CAP	CAST BRASS ASTM B62 ALLOY C83600
3	STEM	NO LEAD BRASS ALLOY
4	BALL	NO LEAD BRASS ALLOY
5	GASKET	ASTM D2000 (NITRILE)
6	SOLID PIN	AISI 303 STAINLESS STEEL
7	O-RING	ASTM D2000 (EP)
8	END PIECE	CAST NO LEAD BRASS ALLOY
9	O-RING	ASTM D2000 (EP)

No.	DESCRIPTION	MATERIAL DESCRIPTION
10	PJ WASHER	POLYPROPYLENE
11	COMPRESSION RING	BRASS ASTM B505 ALLOY C83600
12	COMPRESSION NUT	CAST BRASS ASTM B62 ALLOY C83600
13	PJ GASKET	BUNA-N ASTM D2000

SIZE	ØA	B	C	D	E
3/4"R	.63	3.21	.75	2.12	2.87
3/4"	.75	3.34	.84	2.32	3.16
3/4x1"	.75	3.59	.84	2.32	3.16
1"R	.75	3.77	.84	2.32	3.16
1"	1.00	4.51	1.15	2.57	3.72
1x3/4"R	.75	3.54	.84	2.32	3.16
1-1/2"	1.50	4.69	1.50	3.36	4.86
2"	2.00	5.24	1.82	3.91	5.73



ALL WETTED PARTS ARE NO LEAD BRASS ALLOY

FILEPATH: PROD-ENG\MUELLER\ASYSUBMITTALS\G25170N

DWG NUMBER
G25170N
442-MRKTG

TITLE TO AND OWNERSHIP OF THIS ENGINEERING DATA REMAINS IN Mueller Co. NO USE IS TO BE MADE OF THIS DATA EXCEPT AS SPECIFICALLY AUTHORIZED BY Mueller Co. ASSENT ON THE PART OF THE RECIPIENT TO THESE CONDITIONS IS PRESUMED

DRFTR	RWB	11/30/16	MUELLER	UNLESS OTHERWISE NOTED SURFACE PREPARATION: BREAK CORNER(S) ---- .000 SURFACE FINISH --XXX RMS TOLERANCE(S): LINEAR ----- ± .000 ANGULAR ----- ± 0°00'	THIRD ANGLE PROJECTION	
CHKR					REF. No.	SCALE
ENGR						FULL
MGR						
BY			DATE			
STK No:						
MAT'L:						
DESCR.			INLINE NLB BALL METER VALVE (GRIP x FIP)		DWG NUMBER G25170N	
REV	ECR	DESCRIPTION	DATE	BY	CHKR	
PER EST NO: DXXXX EST FIN WT = 0.0000 lbs						