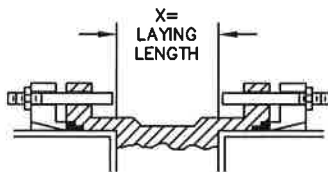
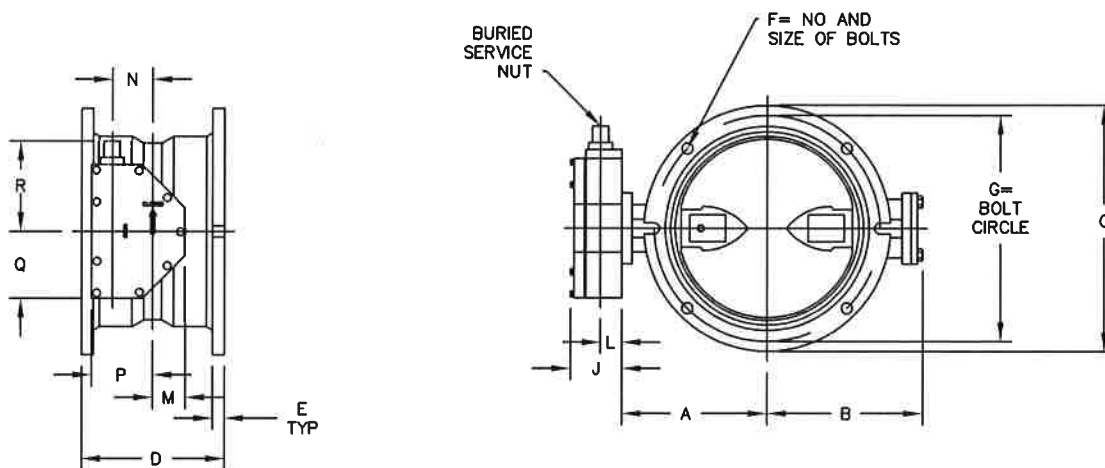


ACTUATOR SIZE	J	L	M	N	P	Q	R	NUMBER OF TURNS
MDT-2S	4-11/16	2	2-1/8	2	4-1/2	4-1/4	8-1/4	32
MDT-3S	5-5/8	2-7/16	3-1/4	3-5/32	5-5/8	5-3/8	10-3/8	30
MDT-4S	6-3/8	2-27/32	3-3/8	4	7-5/16	6-3/4	11-5/16	40
MDT-5	7-9/16	3-15/32	4-1/2	5-1/2	8-3/4	10	17	44



INSTALLATION DIAGRAM
BOLTS, NUTS, GLANDS
AND GASKETS FURNISHED
BY OTHERS

VALVE SIZE	A	B	C	D	E	F	G	X
4	5-1/2	3-1/2	9	8-1/8	1	4--3/4	7 1/2	3-1/8
6	6-1/2	5-1/8	11	8-1/2	1-1/16	6--3/4	9 1/2	3-1/2
8	7-3/4	6-1/2	13-1/4	8-5/8	1-1/8	6--3/4	11 3/4	3-5/8
10	9	9-3/4	15-9/16	9-1/4	1-3/16	8--3/4	14	4-1/4
12	10-1/2	11-3/8	17-15/16	9-1/4	1-1/4	8--3/4	16-1/4	4 1/4
14	11-7/8	12-3/4	20-5/16	11-1/2	1-5/16	10--3/4	18 3/4	4-1/2
16	13-1/2	14-1/2	22-9/16	12	1-3/8	12--3/4	21	5
18	14-3/8	15-3/8	24-11/16	12-1/4	1-3/8	12--3/4	23-1/4	5-1/4
20	16	17	27-3/32	12-1/2	1-1/2	14--3/4	25-1/2	5-1/2



ACTUATOR POSITION 01

NOTES:

- ALL DIMENSIONS SHOWN IN INCHES. "D" DIMENSION $\pm 1/16$ " FOR 3" THRU 10" VALVES. "D" DIMENSION $\pm 1/8$ " FOR 12" THRU 20" VALVES.
- DIMENSIONS AND DRILLING OF END FLANGES CONFORM TO ANSI/AWWA C111/A21.11.
- (RECOMMENDATIONS FOR MATING FLANGES) WHERE INSULATING BUSHINGS ARE USED, IT IS NECESSARY THAT BOLT HOLES BE DRILLED OVERSIZE BY AN AMOUNT EQUAL TO TWO TIMES THE INSULATING SLEEVE THICKNESS TO MAINTAIN THE SAME MINIMUM CLEARANCE FOR BOLTS.
- VALVES MANUFACTURED AND TESTED IN ACCORDANCE WITH AWWA SPECIFICATIONS C-504-LATEST REVISION, CLASS 150B.
- SEE DRAWING GA-11486MS FOR VALVE CROSS SECTION.

REV	DATE	DESCRIPTION	DWN	APP
5-25-17		CORRECTED TITLE BLOCK	JUR	3
5-25-17		CHANGED TITLE BLOCK AND TITLE	LF	JUR
3-11-09		CHANGED NOTE 2	JLM	JR
1-16-05		GA-11486MS w/rev MS-2014	CEG	JR

Mueller Co.

GENERAL ARRANGEMENT DRAWING
LINESEAL III 150B BUTTERFLY VALVE
4"-20", MECHANICAL JOINT ENDS
MDT W/ BURIED SERVICE NUT

SCALE NONE DATE 5/12/04

DRAWN BY DSL CHECKED BY ES

APPROVED GA-BORDER

DRWG. NO. GA-10705MS REV 4 1/c