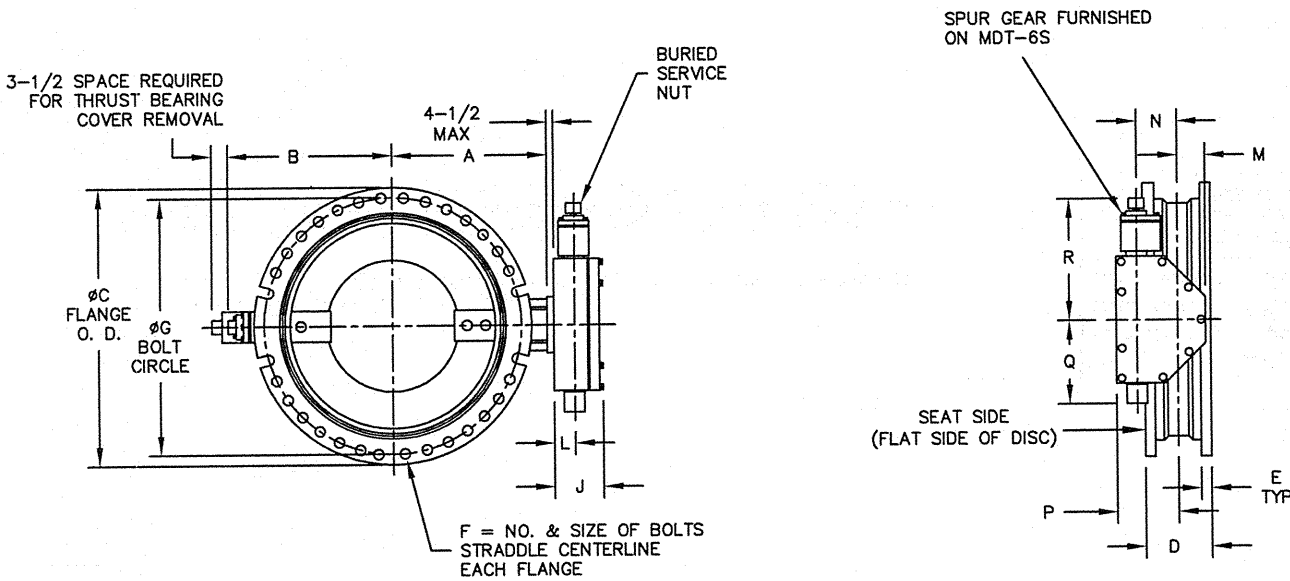


INSTALLATION DIAGRAM  
BOLTS, NUTS, GLANDS  
AND GASKETS FURNISHED  
BY OTHERS

ACTUATOR SIZE	J	L	M	N	P	Q	R	NUMBER OF TURNS
MDT-2S	4-11/16	2	2-1/8	2	4-1/2	4-1/4	8-1/4	32
MDT-3S	5-5/8	2-7/16	3-1/4	3-5/32	5-5/8	5-3/8	10-3/8	30
MDT-4S	6-3/8	3-7/16	3-3/8	4	7-5/16	6-3/4	11-5/16	40
MDT-5	7-9/16	3-1/2	4-1/2	5-1/2	8-3/4	10-7/16	17	44
MDT-5S	8-5/16	3-15/16	5-5/8	7	10-5/8	15-15/16	19-7/8	136
MDT-6S	10-3/16	5-1/16	7	8-1/4	12-5/8	18-5/8	26-1/2	215

VALVE SIZE	A	B	C	D	E	F	G	X
24	18-5/8	18-5/8	31-9/16	13-1/4	1-5/8	16--3/4	30	6-3/8
30	21-1/2	24-3/8	39	18	1-13/16	20--1	36-7/8	10
36	25-7/16	28-1/4	45-7/8	22	2	24--1	43-3/4	14
42	29-7/8	32-7/8	53	22	2	28--1-1/4	50-5/8	14
48	34-1/16	37-1/8	59-7/8	24	2	32--1-1/4	57-1/2	16



ACTUATOR POSITION 1

NOTES:

- ALL DIMENSIONS SHOWN IN INCHES. "D" DIMENSION  $\pm 1/8$ " BOLT HOLES WILL BE  $1/8$ " LARGER THAN DIAMETER OF BOLT
- DIMENSIONS AND DRILLING OF MECHANICAL JOINT ENDS CONFORM TO ANSI AWWA C111 A21.11.
- CAUTION:  
IT IS RECOMMENDED THAT VALVES BE INSTALLED INTO THE PIPING SYSTEM IN ACCORDANCE WITH AWWA M-11 IN ORDER TO PREVENT ANY UNDUE PIPING STRESS, DEFLECTION OR BENDING THAT MAY AFFECT THE PERFORMANCE OF THE VALVE.
- VALVES MANUFACTURED AND TESTED IN ACCORDANCE WITH AWWA SPECIFICATION C-504 LATEST REVISION, CLASS 150B.

△	5-25-17	CHANGED TITLEBLOCK AND TITLE	LF	✓
△	3-9-15	REV. MDT-6S "J" DIM.	JUR	RCB
△	10-10-06	CORRECTED "J" DIMENSION	CEG	JR
△	4-5-05	CORRECTED NOTE 4	ES	CEG
REV	DATE	DESCRIPTION	BY	APP



GENERAL ARRANGEMENT DRAWING  
LINESEAL III 150B BUTTERFLY VALVE  
24"-48", MECHANICAL JOINT ENDS  
MDT W/ BURIED SERVICE NUT

SCALE NONE DATE 12/07/04  
DRAWN BY BZ CHECKED BY ES  
APPROVED GA=BORDER

DRWG. NO. GA-11301MS REV 4 AC