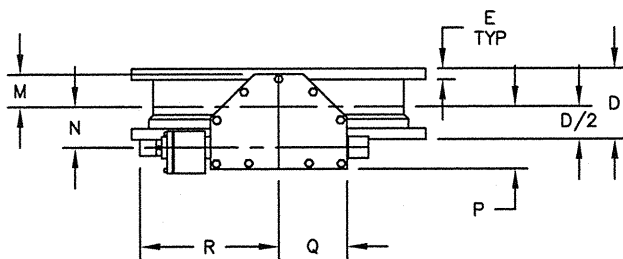


ACTUATOR SIZE	J	L	M	N	P	Q	R	NUMBER OF TURNS
MDT-3S	5-5/8	2-7/16	3-1/4	3-5/32	5-5/8	5-3/8	10-3/8	30
MDT-4S	6-3/8	2-27/32	3-3/8	4	7-5/16	6-3/4	11-5/16	40
MDT-5	7-9/16	3-15/32	4-1/2	5-1/2	8-3/4	10	17	44
MDT-5S	8-5/16	3-15/16	5-1/2	7	10-1/2	15-15/16	19-7/8	136
MDT-6S	10-3/16	5-1/16	7	8-1/4	12-5/8	14-3/16	26-1/2	215

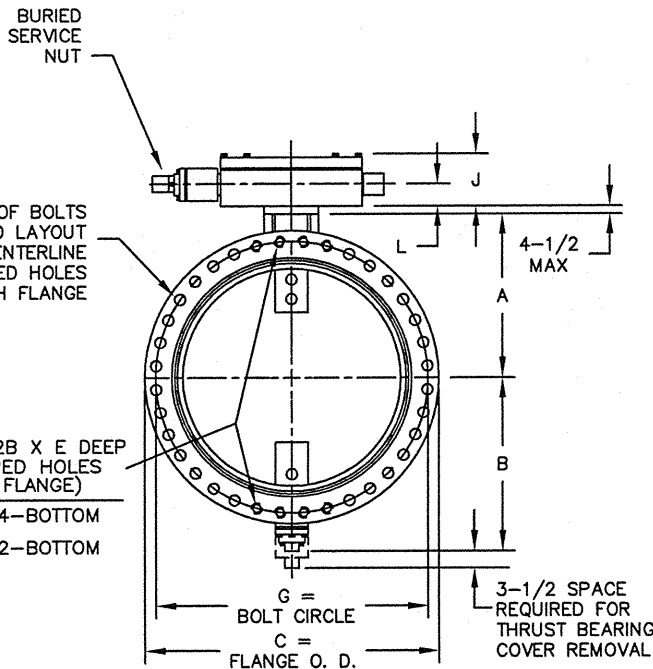
VALVE SIZE	150 PSI						
	A	B	C	D	E	F	G
24	18-5/8	18-3/8	32	8	1-7/8	20/1-1/4	29-1/2
30	21-1/2	24-1/8	38-3/4	12	2-1/8	28/1-1/4	36
36	25-7/16	28	46	12	2-7/16	32/1-1/2	42-3/4
42	29-7/8	32-11/16	53	12	2-5/8	36/1-1/2	49-1/2
48	34-1/16	36-7/8	59-1/2	15	2-3/4	44/1-1/2	56
54	37-1/2	40-11/16	66-1/4	15	3	44-1-3/4	62-3/4
60	41-3/4	45-3/16	73	15	3-1/8	52-1-3/4	69-1/4
66	46-1/16	49-1/2	80	18	3-3/8	52-1-3/4	76
72	50	53-1/8	86-1/2	18	3-1/2	60-1-3/4	82-1/2



ACTUATOR POSITION 1

NOTES:

1. ALL DIMENSIONS SHOWN IN INCHES.
2. "D" DIMENSION  $\pm 1/8"$ .
3. FOR BOLTS SMALLER THAN  $\phi 1-3/4$ , BOLT HOLES WILL BE  $1/8"$  LARGER THAN DIAMETER OF BOLT. FOR BOLTS  $\phi 1-3/4$  OR LARGER, BOLT HOLES WILL BE  $1/4"$  LARGER THAN DIAMETER OF BOLT.
4. DIMENSIONS AND DRILLING OF END FLANGES CONFORM TO THE AMERICAN CAST IRON FLANGE STANDARDS, CLASS 125 (B16.1).
5. VALVES MANUFACTURED & TESTED IN ACCORDANCE WITH AWWA SPECIFICATION C-504 LATEST REVISION, CLASS 150B.
6. RECOMMENDATION FOR MATING FLANGES: WHERE INSULATING BUSHINGS ARE USED, IT IS NECESSARY THAT BOLT HOLES BE DRILLED OVERSIZE BY AN AMOUNT EQUAL TO TWO TIMES THE INSULATING SLEEVE THICKNESS TO MAINTAIN THE SAME MINIMUM CLEARANCE FOR BOLTS.
7. CAUTION: IT IS RECOMMENDED THAT VALVES BE INSTALLED INTO PIPING SYSTEM IN ACCORDANCE WITH AWWA M-11 TO PREVENT ANY UNDUE PIPING STRESS, DEFLECTION OR BENDING THAT MAY EFFECT THE PERFORMANCE OF THE VALVE.



TOLERANCES	
FLANGE THICKNESS "e":	$+1/4"$ $-0$
LAYING LENGTH "D":	
24" THRU 72"	$\pm 1/8"$
BOLT CIRCLE "G":	$+1/16"$
FLANGE O.D. "C":	
24" THRU 48"	$+3/16"$
54" THRU 72"	$+1/4"$

REV	DATE	DESCRIPTION	DWN	APP
5-25-17		CHANGED TITLEBLOCK AND TITLE	LF	
2-3-11		2-7/16 WAS 2-3/8 ADDED TOLERANCE BLOCK	JLM	RCB
3-11-10		REMOVED 25 & 75 LB.	NZ	OEN

**Mueller Co.**

GENERAL ARRANGEMENT DRAWING  
LINESEAL III 150B BUTTERFLY VALVE  
24"-72", FLANGED ENDS  
MDT W/BURIED SERVICE NUT

SCALE NONE DATE 9-7-05  
DRAWN BY CEG CHECKED BY ES  
APPROVED GA=BORDER  
DRWG. NO. GA-11304MS REV 3 1/6