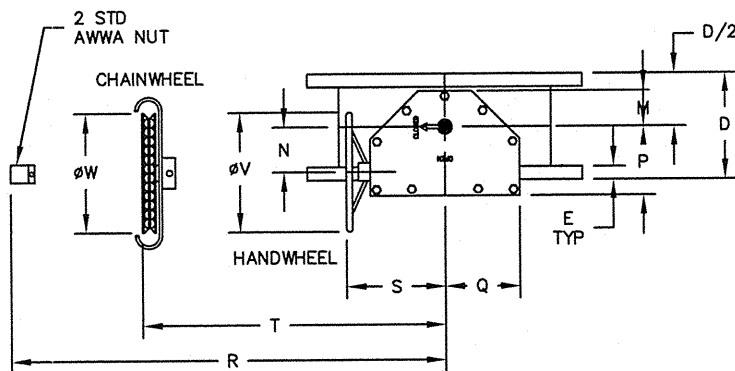
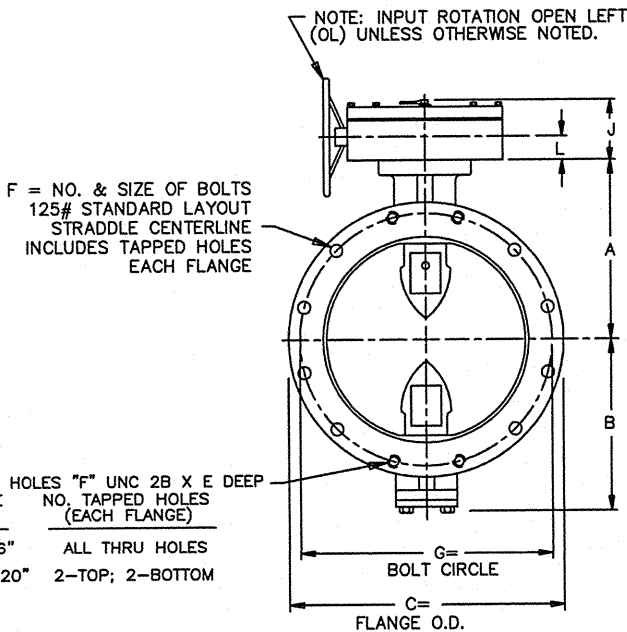


ACTUATOR SIZE	J	L	M	N	P	Q	R	S	T	V	W	NUMBER OF TURNS
MDT-2S	4-11/16	2	2-1/8	2	4-1/2	4-1/4	8-1/4	7-7/8	7-7/8	8	9-1/8	32
MDT-3S	5-5/8	2-7/16	3-1/4	3-5/32	5-5/8	5-3/8	10-3/8	10-1/2	10-1/8	12	9-1/8	30
MDT-4S	6-3/8	2-27/32	3-3/8	4	7-5/16	6-3/4	11-5/16	11-1/2	11	12	9-1/8	40
MDT-5	7-9/16	3-15/32	4-1/2	5-1/2	8-3/4	10	17	17 3/16	17-3/16	18	16-7/16	44

VALVE SIZE	A	B	C	D	E Δ	F	G
3	4-3/4	3-1/4 Δ	7-1/2	5	13/16	4--5/8	6
4	5-1/2	3-1/2 Δ	9	5	1	8--5/8	7-1/2
6	6-1/2	5-1/8	11	5	1-1/16	8--3/4	9-1/2
8	7-3/4	6-1/2	13-1/2	6	1-3/16	8--3/4	11-3/4
10	9	9-7/8	16	8	1-3/16	12--7/8	14-1/4
12	10-1/2	11-3/8	19	8	1-5/16	12--7/8	17
14	11-7/8	12-3/4	21	8	1-3/8	12--1	18-3/4
16	13-1/2	14-3/8	23-1/2	8	1-7/16	16--1	21-1/4
18	14-3/8	15-1/4	25	8	1-9/16	16--1-1/8	22-3/4
20	16	16-7/8	27-1/2	8	1-11/16	20--1-1/8	25



ACTUATOR POSITION 1



NOTES:

- ALL DIMENSIONS SHOWN IN INCHES.
- "D" DIMENSION  $\pm 1/16"$  FOR 3" THRU 10" VALVES.  
"D" DIMENSION  $\pm 1/8"$  FOR 12" THRU 20" VALVES.
- FOR BOLTS SMALLER THAN  $\phi 1-3/4$ , BOLT HOLES WILL BE  $1/8"$  LARGER THAN DIAMETER OF BOLT.  
FOR BOLTS  $\phi 1-3/4$  OR LARGER, BOLT HOLES WILL BE  $1/4"$  LARGER THAN DIAMETER OF BOLT.
- DIMENSIONS AND DRILLING OF END FLANGES CONFORM TO THE AMERICAN CAST IRON FLANGE STANDARDS, CLASS 125 (B16.1).
- VALVES MANUFACTURED & TESTED IN ACCORDANCE WITH AWWA SPECIFICATION C-504 LATEST REVISION, CLASS 150B.
- RECOMMENDATION FOR MATING FLANGES: WHERE INSULATING BUSHINGS ARE USED, IT IS NECESSARY THAT BOLT HOLES BE DRILLED OVERSIZE BY AN AMOUNT EQUAL TO TWO TIMES THE INSULATING SLEEVE THICKNESS TO MAINTAIN THE SAME MINIMUM CLEARANCE FOR BOLTS.

TOLERANCES	
FLANGE THICKNESS "E":	$+1/8"$ $-0$
LAYING LENGTH "D":	
3" THRU 10"	$\pm 1/16"$
12" THRU 20"	$\pm 1/8"$
BOLT CIRCLE "G":	$\pm 1/64"$
FLANGE O.D. "C":	
3" THRU 10"	$\pm 1/8"$
12" THRU 20"	$\pm 3/16"$

REV	DATE	DESCRIPTION	DWN	APP
5-25-17		CHANGED TITLEBLOCK AND TITLE	LF	
5-27-11		REV. COL. B & E ADD TOLERANCES	RCB	AT

**Mueller Co.**

GENERAL ARRANGEMENT DRAWING  
LINESEAL III 150B BUTTERFLY VALVE  
3"-20", FLANGED ENDS  
MDT W/ MANUAL ACTUATOR

SCALE NONE DATE 1-20-09  
DRAWN BY CEM CHECKED BY JR  
APPROVED GA=BORDER  
DRWG. NO. GA-11864MS REV 2