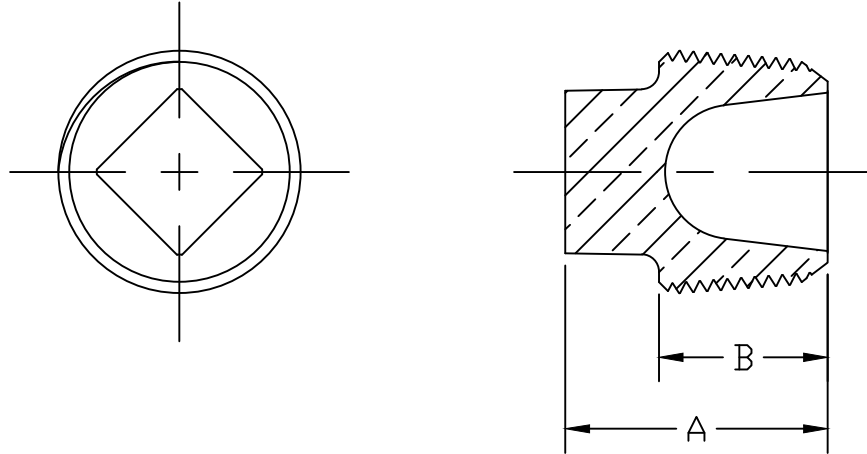


DWG NUMBER  
H10033N

SIZE	A	B
1/2"	1.12	.75
5/8"	1.31	.88
3/4"	1.36	.88
1"	1.38	.88
1-1/4"	1.44	.88
1-1/2"	1.50	.88
2"	1.56	.88



MEETS ALL REQUIREMENTS OF AWWA C800  
 ALL WETTED PARTS ARE LEAD FREE BRASS ALLOY C89833/C87850  
 ALL NON WETTED PARTS ARE BRASS ALLOY C83600/C87850

DRFTR	AD	03/13/23	<b>MUELLER</b>	
CHKR				
ENGR			UNLESS OTHERWISE NOTED	THIRD ANGLE PROJECTION
MGR				
			SURFACE PREPARATION: BREAK CORNER(S) ---- .000 SURFACE FINISH -- XX RMS	REF. No.
	BY	DATE		
			TOLERANCE(S): LINEAR ----- ± .000 ANGULAR ----- ± 0°00'	SCALE
STK No:				FULL

MAT'L: LEAD FREE BRASS ALLOY ASTM B584

TITLE TO AND OWNERSHIP OF THIS ENGINEERING DATA REMAINS IN Mueller Co. NO USE IS TO BE MADE OF THIS DATA EXCEPT AS SPECIFICALLY AUTHORIZED BY Mueller Co. ASSENT ON THE PART OF THE RECIPIENT TO THESE CONDITIONS IS PRESUMED

DESCR. CC THR'D SQUARE PLUG

DWG NUMBER  
H10033N