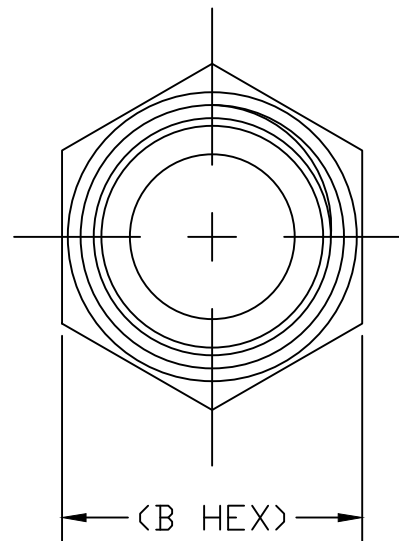
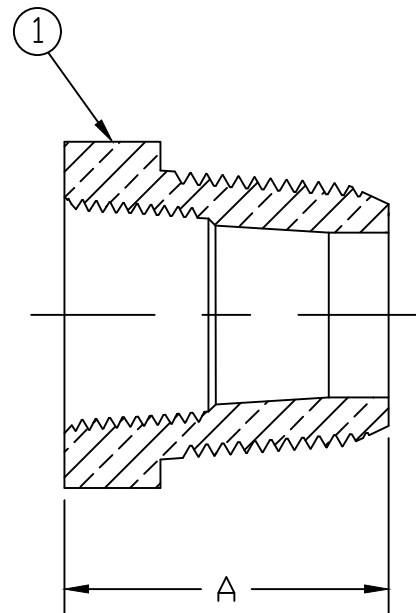


No.	DESCRIPTION	MATERIAL
1	BUSHING	LEAD FREE BRASS ALLOY ASTM B584



SIZE	A	B
1" x 3/4"	1.688	1.562
1-1/2" x 1"	2.125	2.281
2" x 3/4"	2.375	1.922
2" x 1-1/2"	2.375	1.938

MEETS ALL REQUIREMENTS OF AWWA C800
 ALL WETTED PARTS ARE LEAD FREE BRASS ALLOY C89833/C87850
 ALL NON WETTED PARTS ARE BRASS ALLOY C83600/C87850

DWG NUMBER
H10036N

TITLE TO AND OWNERSHIP OF THIS ENGINEERING
 DATA REMAINS IN Mueller Co. NO USE IS TO BE
 MADE OF THIS DATA EXCEPT AS SPECIFICALLY
 AUTHORIZED BY Mueller Co. ASSENT ON THE PART
 OF THE RECIPIENT TO THESE CONDITIONS IS PRESUMED

DRFTR	AD	03/06/23	MUELLER		
CHKR					
ENGR			UNLESS OTHERWISE NOTED SURFACE PREPARATION: BREAK CORNER(S) ---- .000 SURFACE FINISH -- XX RMS	THIRD ANGLE PROJECTION 	
MGR				TOLERANCE(S): LINEAR ----- ± .000 ANGULAR ----- ± 0°00'	REF. No. SCALE
BY		DATE	STK No:		
MAT'L:			DESCR.		
			BUSHING ("CC" TAPER x MIP)		DWG NUMBER H10036N