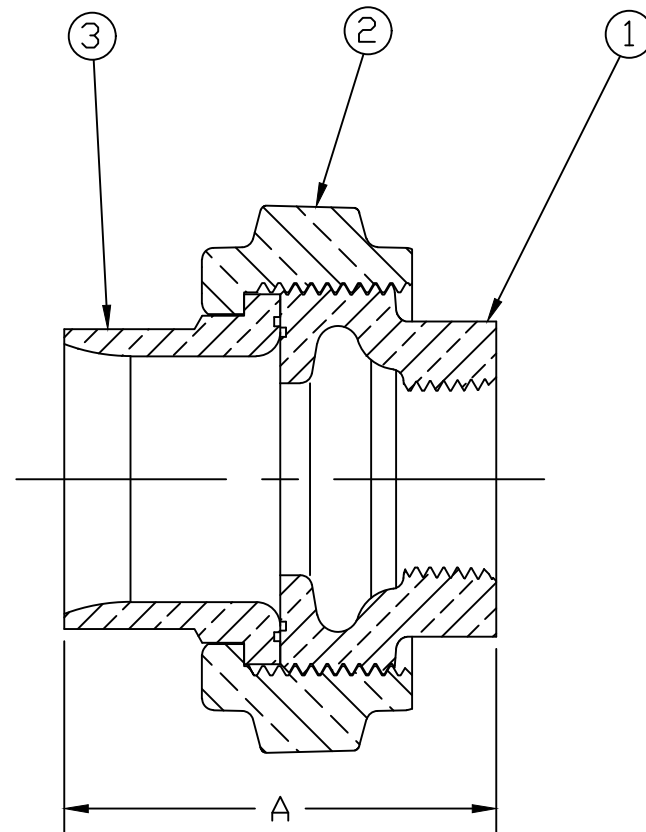


No.	DESCRIPTION	MATERIAL
1	SPUD	CAST LOW LEAD BRASS ALLOY
2	COUPLING NUT	CAST BRASS ASTM B62 ALLOY C83600
3	TAILPIECE	CAST LOW LEAD BRASS ALLOY



SIZE	A
3/4"	2.250

ALL WETTED PARTS ARE LOW LEAD BRASS ALLOY

FILEPATH: PROD-ENG\MUELLER\ASYSUBMITTALS\H10054N

						DRFTR	RWB	9/23/19	MUELLER	THIRD ANGLE PROJECTION
						CHKR				
						ENGR				
						MGR				
									UNLESS OTHERWISE NOTED	REF. No.
									SURFACE PREPARATION: BREAK CORNER(S) ---- .000 SURFACE FINISH -- XX RMS	
									TOLERANCE(S): LINEAR ----- ± .000 ANGULAR ----- ± 0°00'	
									BY	DATE
									STK No:	
									MAT'L:	
									DESCR.	
									XX STRONG LLB LEAD FLANGE x FIP	DWG NUMBER H10054N
REV	ECR	DESCRIPTION	DATE	BY	CHKR	PER EST NO: DXXXX EST FIN WT = 0.0000 lbs				

TITLE TO AND OWNERSHIP OF THIS ENGINEERING DATA REMAINS IN Mueller Co. NO USE IS TO BE MADE OF THIS DATA EXCEPT AS SPECIFICALLY AUTHORIZED BY Mueller Co. ASSENT ON THE PART OF THE RECIPIENT TO THESE CONDITIONS IS PRESUMED.

DWG NUMBER
H10054N