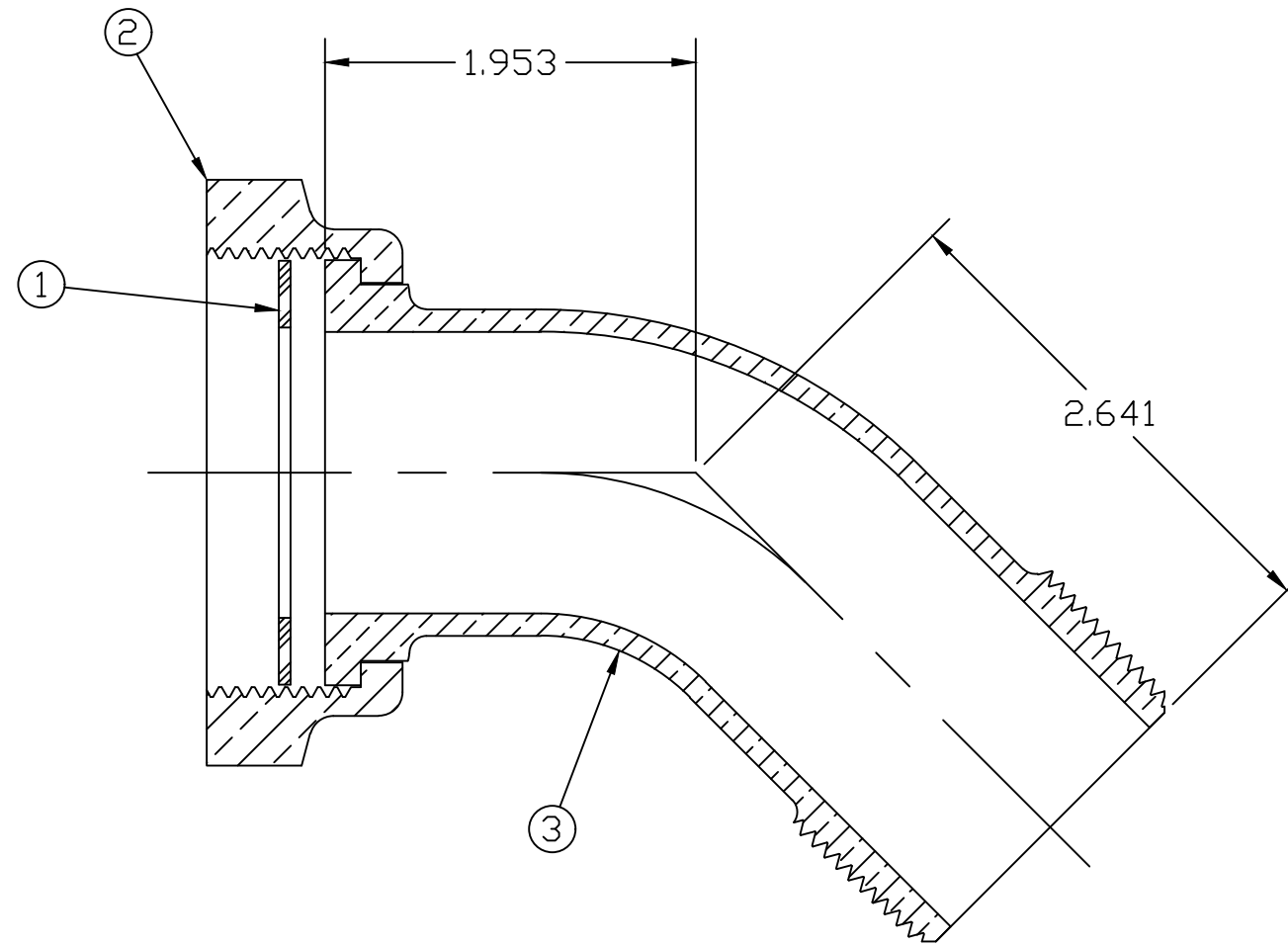


No.	DESCRIPTION	MATERIAL
1	GASKET	RED FIBER
2	COUPLING NUT	CAST BRASS ALLOY ASTM B584
3	TAILPIECE	LEAD FREE BRASS ALLOY ASTM B584



SIZE	A	B
1-1/2"	1.953	2.641
2"	2.500	2.938

MEETS ALL REQUIREMENTS OF AWWA C800  
 ALL WETTED PARTS ARE LEAD FREE BRASS ALLOY C89833/C87850  
 ALL NON WETTED PARTS ARE BRASS ALLOY C83600/C87850

DRFTR	AD	03/03/23	<b>MUELLER</b>	
CHKR				
ENGR			UNLESS OTHERWISE NOTED	THIRD ANGLE PROJECTION
MGR				
			SURFACE PREPARATION:	REF. No.
			BREAK CORNER(S) ----- .000	
			SURFACE FINISH -- XX RMS	SCALE
	BY	DATE	TOLERANCE(S):	
STK No:			LINEAR ----- ± .000	
			ANGULAR ----- ± 0°00'	NONE
MAT'L:				
DESCR.			EIGHTH BEND CORP STOP COUPLING (INLET I/S IP × MIP OUTLET)	
			DWG NUMBER H10095N	

DWG NUMBER  
H10095N

TITLE TO AND OWNERSHIP OF THIS ENGINEERING  
 DATA REMAINS IN Mueller Co. NO USE IS TO BE  
 MADE OF THIS DATA EXCEPT AS SPECIFICALLY  
 AUTHORIZED BY Mueller Co. ASSENT ON THE PART  
 OF THE RECIPIENT TO THESE CONDITIONS IS PRESUMED