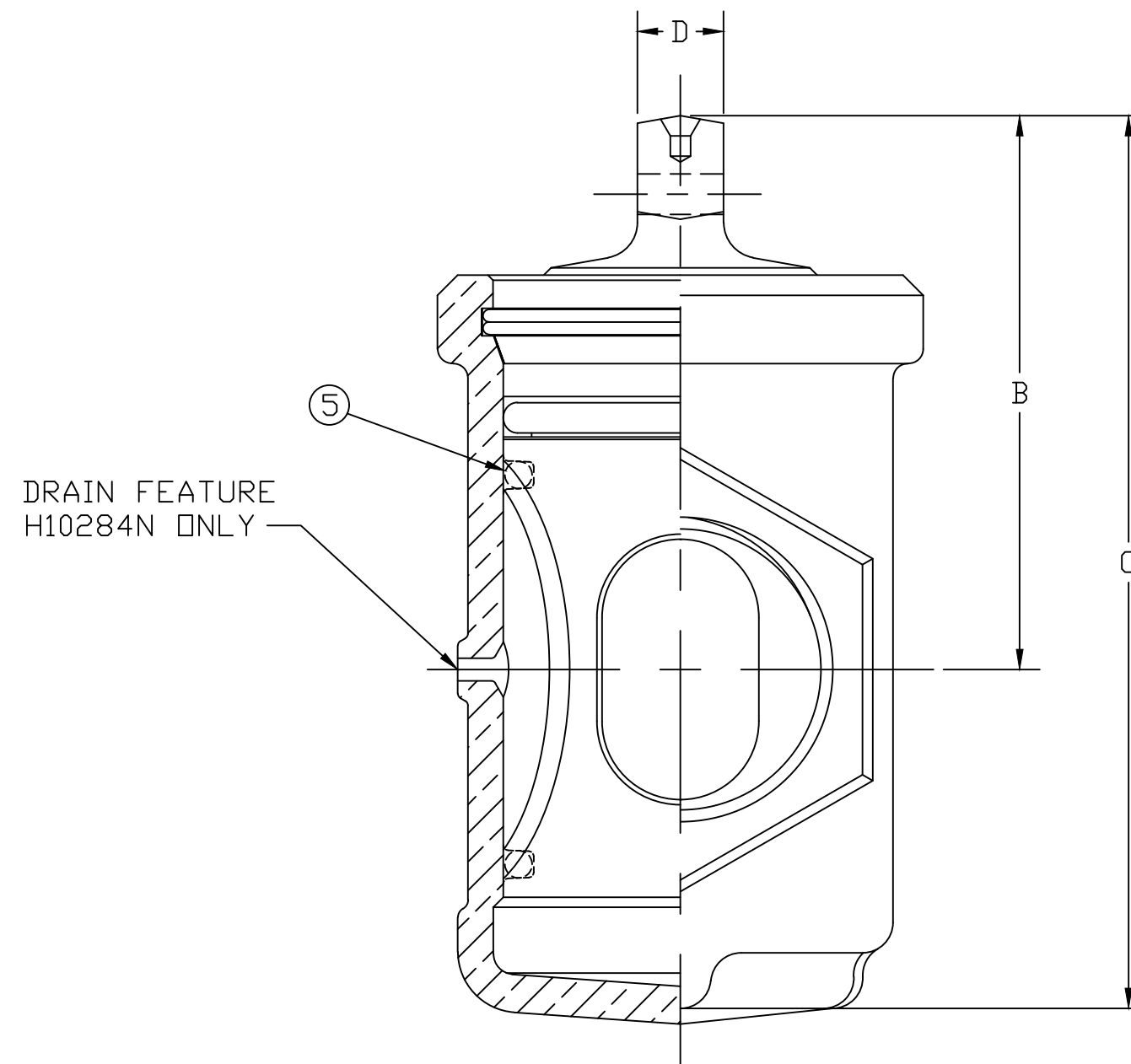
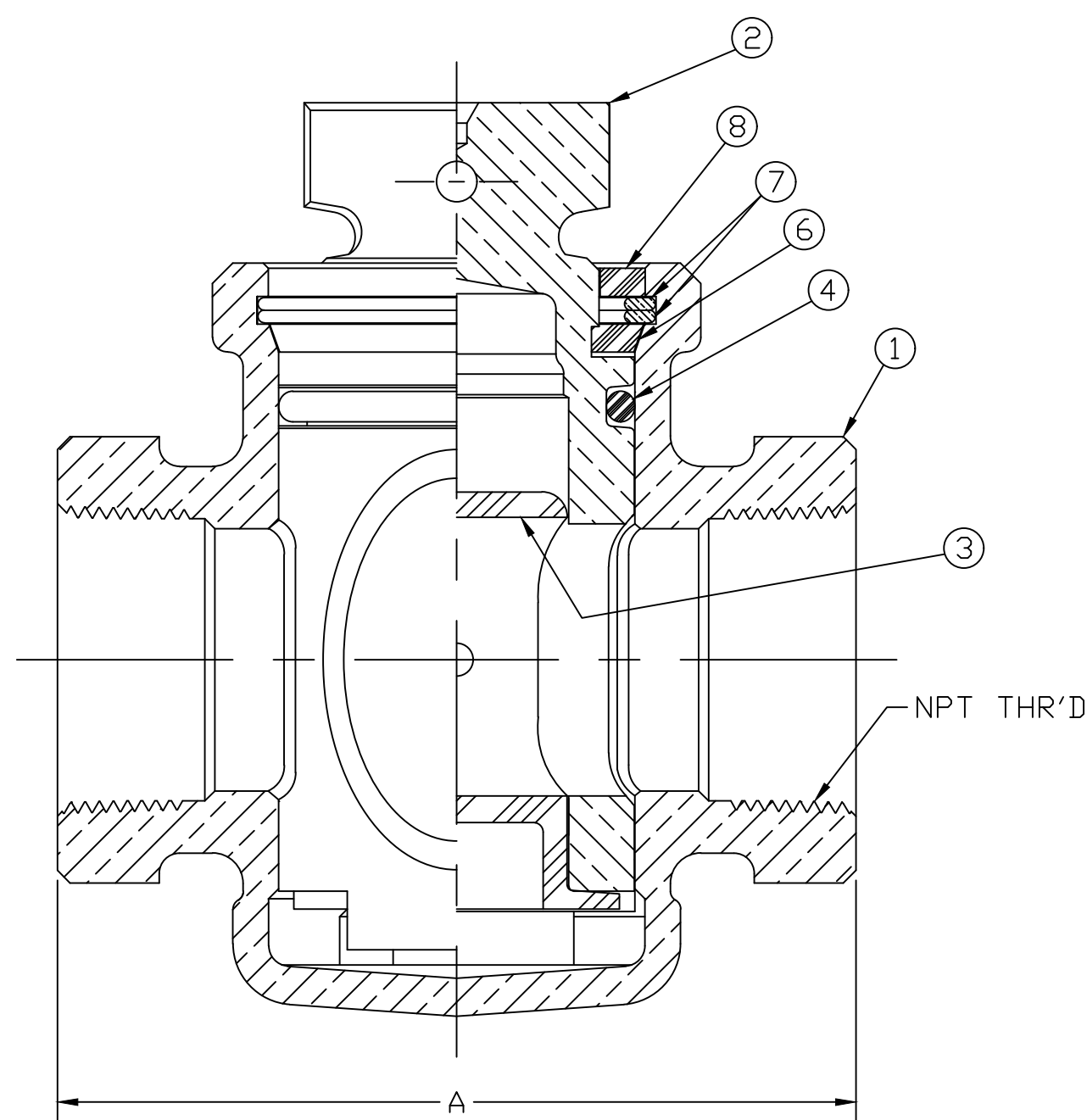


CATALOG No.	DRAIN
H10283N	NO DRAIN
H10284N	DRAIN

SIZE	A	B	C	D	NPT.
1/2	3.44	2.11	3.41	.44	1/2
3/4	3.22	1.92	3.17	.44	3/4
1	3.97	2.44	4.00	.44	1
1-1/4	4.38	2.64	4.38	.53	1-1/4
1-1/2	4.91	3.42	5.52	.53	1-1/2
2	5.56	3.70	6.05	.56	2

No.	DESCRIPTION	MATERIAL
1	BODY	LEAD FREE BRASS ALLOY ASTM B584
2	KEY	LEAD FREE BRASS ALLOY ASTM B584
3	INSERT	(ABS) CYCOLAC MG47N-NA1000 PLASTIC
4	O-RING	RUBBER, ASTM D-2000 EPDM
5	O-RING	RUBBER, ASTM D-2000 EPDM
6	THRUST WASHER	CELCON M90 NATURAL CF2001
7	RETAINING RING	PHOS. BRONZE ASTM B103 ALLOY C52100
8	TOP SEAL	RUBBER, MUELLER RUBBER CODE R8



MEETS ALL REQUIREMENTS OF AWWA C800  
 ALL WETTED PARTS ARE LEAD FREE BRASS ALLOY C89833/C87850  
 ALL NON WETTED PARTS ARE BRASS ALLOY C83600/C87850

DRFTR	AD	02/07/23	<b>MUELLER</b>	
CHKR				
ENGR			UNLESS OTHERWISE NOTED	THIRD ANGLE PROJECTION
MGR				SURFACE PREPARATION: BREAK CORNER(S) ---- .000 SURFACE FINISH -- XX RMS
	BY	DATE	TOLERANCE(S): LINEAR ----- ± .000 ANGULAR ----- ± 0°00'	NONE
STK No:			MAT'L:	

TITLE TO AND OWNERSHIP OF THIS ENGINEERING DATA REMAINS IN Mueller Co. NO USE IS TO BE MADE OF THIS DATA EXCEPT AS SPECIFICALLY AUTHORIZED BY Mueller Co. ASSENT ON THE PART OF THE RECIPIENT TO THESE CONDITIONS IS PRESUMED.

DESCR.	MARK II DRISEAL ASSEMBLY (FIP x FIP)	DWG NUMBER H10283N
--------	---	-----------------------